

Safety

When using the hot tub it is very important to follow local safety regulations, in order to avoid any risks to human health or property. The instructions below are common – sense recommendations to prevent any immediate dangers.

! Firing of the hot tub's stove may begin only after the hot tub has been filled with water.

! This hot tub is a product that includes a hearth. Please be careful when firing the stove.

! Condensate water may occur under the stove during heating the hot tub. If necessary, we recommend to place a container under the stove to collect the condensate water.

- For fire safety purposes, place the hot tub at a distance of at least 4 m from any building.
- Never leave the hot tub's stove unattended while heating.
- While the stove is being fired, the chimney and the stove are hot and may cause burns when touched.
- The hot tub is intended for accommodating a certain number of people. Make sure that the number of users in the hot tub does not exceed the permitted number, or else the hot tub may be subjected to excess weight.
- When firing the stove, heat the water in the hot tub to a recommended maximum of + 41 °C.
- Never jump into the hot tub.
- Never leave children unsupervised in the hot tub.
- The use of chlorine-containing detergents to wash the hot tub is prohibited.
- Never use abrasive cleaning agents to clean the hot tub.

Heating the hot tub

! Firing of the stove may begin only after the hot tub has been filled with water!

! Water may be drained from the hot tub only after the embers in the stove have been fully extinguished!

- Before filling the hot tub with water make sure that the drain valve of the hot tub is closed.
- Fill the hot tub to a level where the water is approximately 10 cm over the section above the stove.
- Using only dry wood to fire the hot tub's stove. Carbon can not be used. Use a pellet fuel starter or lighter fluid to facilitate starting a fire.
- To heat water faster, it is advisable to cover the hot tub with a lid.
- It is recommend to heat the water in the hot tub to a maximum of + 41 °C.
- Any ash particles accidentally released into the water when heating the hot tub may be conveniently removed using an ordinary kitchen sieve.
- Never use paper to light firewood, as this cause excessive airborne sparks.

Maintenance of the hot tub

Cleaning and maintaining the hot tub regularly is important in terms of both hygiene and the long-term preservation of the hot tub.

It is recommended to process at least once a year the wooden parts of hot tub (walls, stair) with wooden oil appropriate for exterior use.

! In winter, always drain the water from the hot tub and stove after using it to prevent any subsequent freezing of water in the tub or its pipes. Water freezing may cause the hot tub or stove to break! The drain valve must also be left open to avoid the risk of the valve freezing and breaking!

- After emptying the hot tub with a bubble system, turn on the bubble system for a few minutes to allow the moisture in the system to drain.

NB! The instructions below are recommendations for users of the hot tub.

- It is advisable to wash the hot tub after each use.
- It is advisable to shower before using the hot tub, to ensure better hygiene in the water.
- The hot tub may be washed with a pressure washer, and it is advisable to use regular household detergents and a soft cloth to clean it.
- No hard material or material with a rough surface or chlorine-containing cleaning agents should be used to clean the hot tub (will cause discolouration of the hot tub).

A guarantee for a private customer is valid for 2 years. A product used for commercial purposes has a 6-month warranty.

SERIAL NUMBER: _____

When submitting a complaint, it must be accompanied by one or more photos, a description of the deficiency, the order number and the serial number required to identify the product.

DeLux Hot tub installation

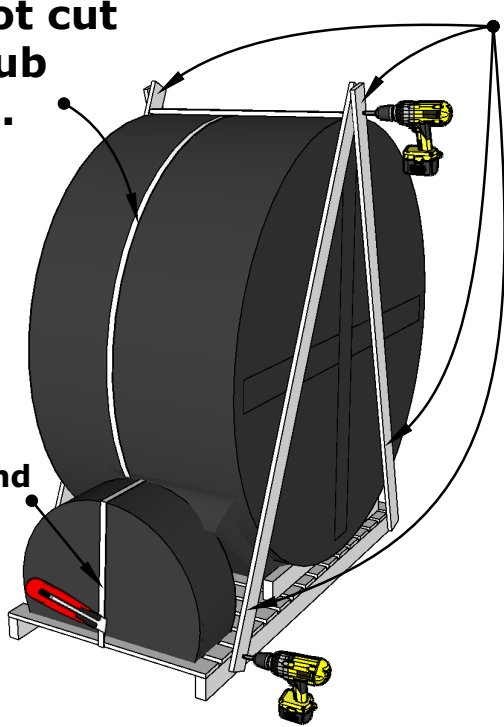
Serial No _____

NB!
Do not cut
hot tub
strap.

I

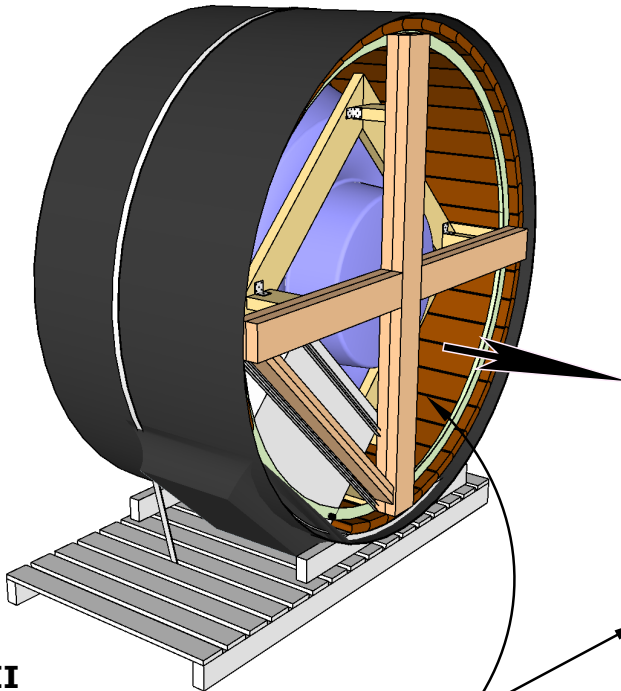
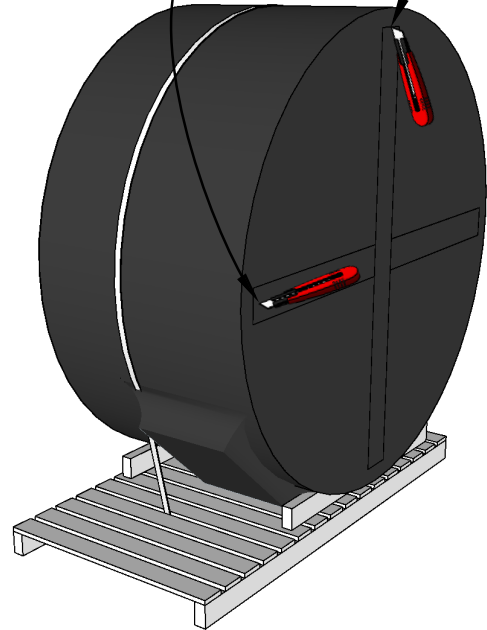
Remove
boards.

Cut belt and
remove
step.



II

Cut
bottom
plastic.

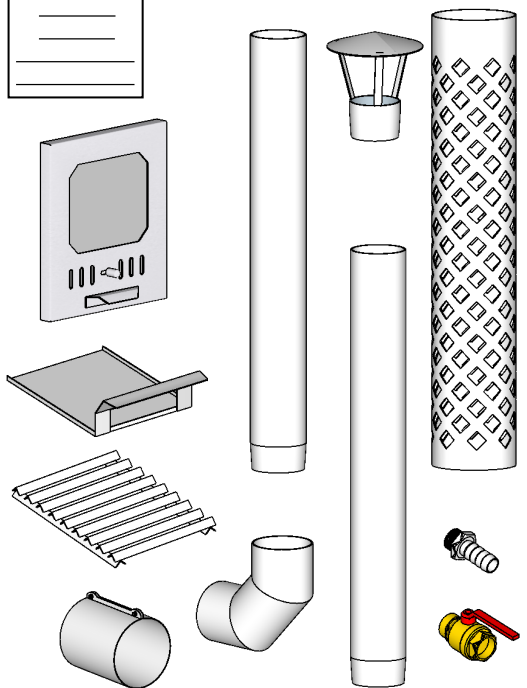


III

Take details out
and check the
existence of
complete set.

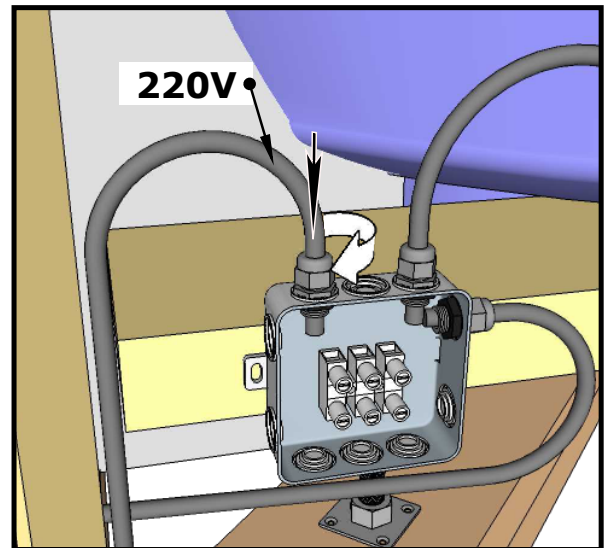
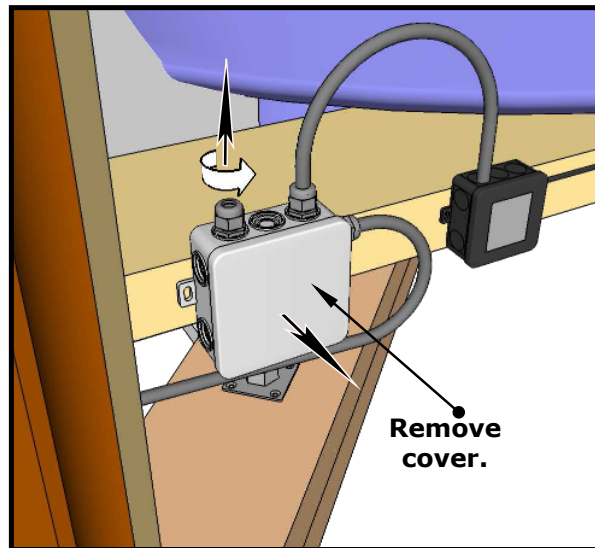
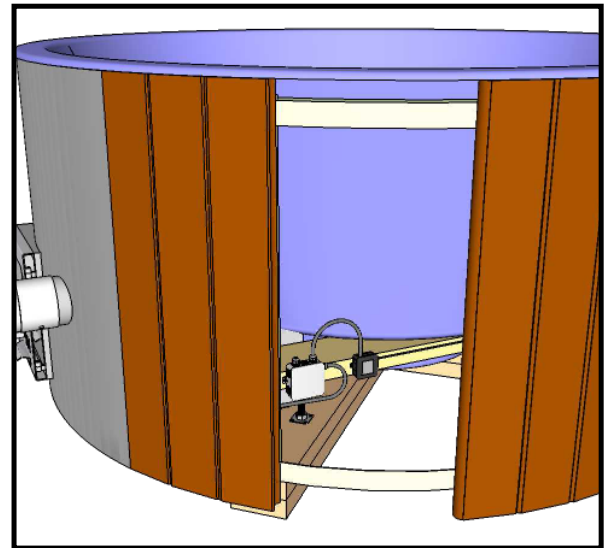
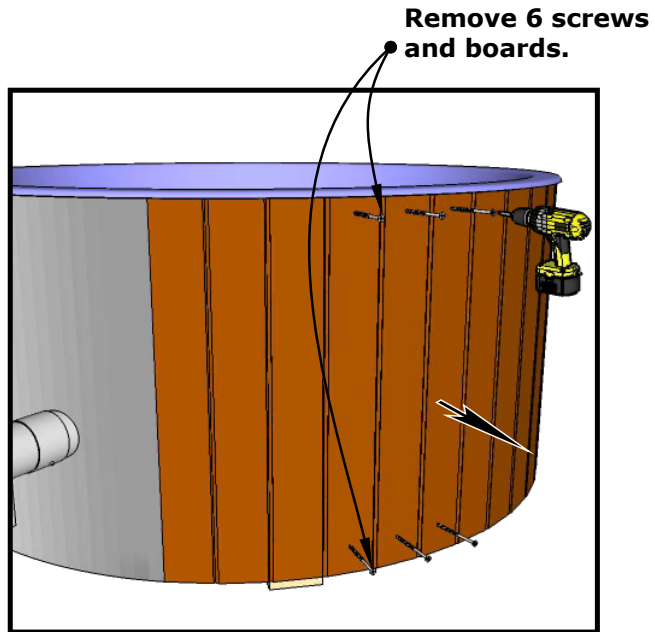
Installation
Manual

Please read manual
before You continue.



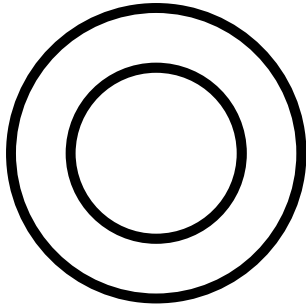
Power installation!

**ALL ELECTRICAL WORK
MUST BE PERFORMED BY
A LICENSED ELECTRICIAN !!!**



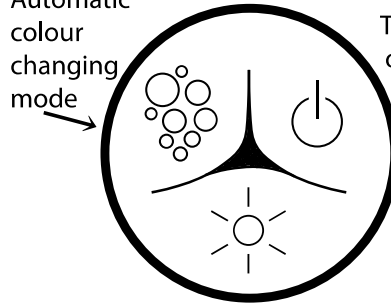
In case your hot tub has bubble system and/or LED lighting:

Bubble system button,
push to start and stop



LED-light button

Automatic
colour
changing
mode



Turns light
on and off

Choosing manually
one colour mode