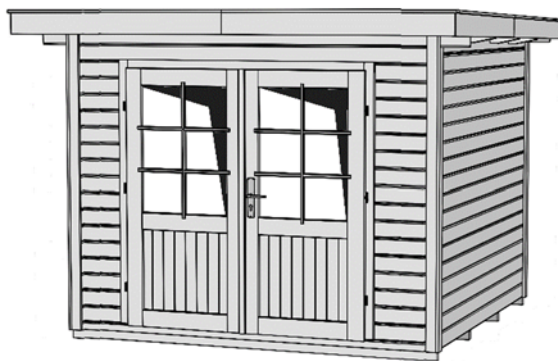




## Montage-, Bedienungs- und Wartungsanleitung



**Art.-Nr.: 179.2421.00.20**

**Art.-Nr.: 179.2424.00.20**

**Art.-Nr.: 179.3024.00.20**

**Art.-Nr.: 179.3030.00.20**

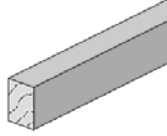

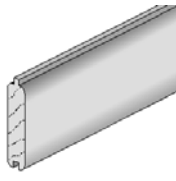
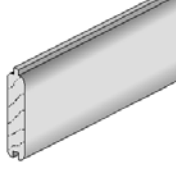
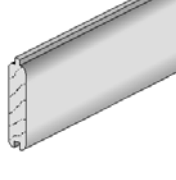
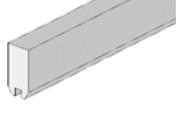


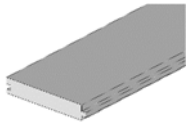


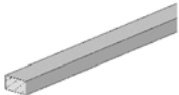
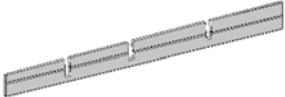

**Art.-Nr.: 179.2421.40001**

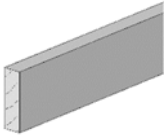
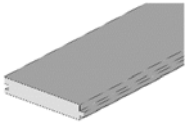
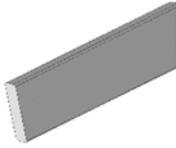
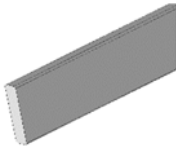
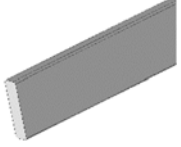

**Art.-Nr.: 179.2424.40001**

**Art.-Nr.: 179.3024.40001**



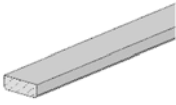
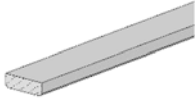


**Art.-Nr.: 179.3030.40001**



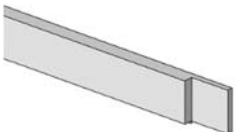


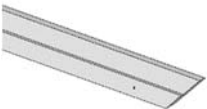
| Pos | Bild  | Abmessung   | Stück         |              |               |              |
|-----|---|---|---------------|--------------|---------------|--------------|
|     |   |   | 179.2421...   | 179.2424...  | 179.3024...   | 179.3030...  |
| ①   |    | 40 / 60 / 2350<br>40 / 60 / 2950                      | 4<br>-        | 4<br>-       | -<br>4        | -<br>7       |
| ②   |    | 28 / 63 / 2350<br>28 / 63 / 2950                      | 2<br>-        | 2<br>-       | -<br>2        | -<br>2       |
| ③   |  | 28 / 121 / 2050<br>28 / 121 / 2350<br>28 / 121 / 2950 | 34<br>18<br>- | -<br>52<br>- | -<br>34<br>18 | -<br>-<br>52 |
| ④   |  | 28 / 121 / 280<br>28 / 121 / 580                      | 32<br>-       | 32<br>-      | -<br>32       | -<br>32      |
| ⑤   |  | 28 / 121 / 2760<br>28 / 121 / 3500                    | 2<br>-        | 2<br>-       | -<br>2        | -<br>2       |
| ⑥   |  | 28 / 58 / 2760<br>28 / 58 / 3500                      | 1<br>-        | 1<br>-       | -<br>1        | -<br>1       |

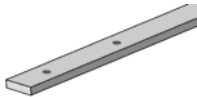

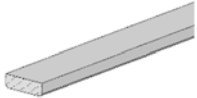
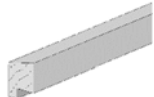
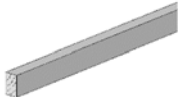
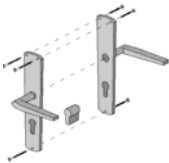

| Pos | Bild  | Abmessung   | Stück             |                      |                      |                           |
|-----|---|---|-------------------|----------------------|----------------------|---------------------------|
|     |   |   | 179.2421...       | 179.2424...          | 179.3024...          | 179.3030...               |
| 7   |    | 18,5 / 121 / 2050<br>(15,5 / 96 / 2350)<br>18,5 / 121 / 2350<br>(15,5 / 96 / 2950)<br>18,5 / 121 / 2950 | 21<br>-<br>-<br>- | -<br>(27)<br>21<br>- | -<br>(33)<br>26<br>- | -<br>-<br>-<br>(33)<br>26 |
| 8   |    | 40 / 40 / 2128  | 2                 | 2                    | 2                    | 2                         |
| 9   |  | 40 / 40 / 2048  | 2                 | 2                    | 2                    | 2                         |
| 10  |  | 15 / 28 / 1805  | 2                 | 2                    | 2                    | 2                         |
| 11  |  | 28 / 226 / 2050<br>28 / 226 / 2350<br>28 / 226 / 2950   | 2<br>-<br>-       | -<br>2<br>-          | -<br>2<br>-          | -<br>-<br>2               |
| 12  |  | 18,5 / 70 / 2153  | 8                 | 8                    | 8                    | 8                         |

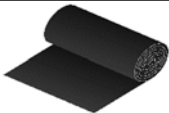











| Pos | Bild  | Abmessung   | Stück                  |                           |                           |                           |
|-----|---|---|------------------------|---------------------------|---------------------------|---------------------------|
|     |   |   | 179.2421...            | 179.2424...               | 179.3024...               | 179.3030...               |
| 13  |    | 45 / 146 / 2760<br>45 / 146 / 3500  | 2<br>-                 | 3<br>-                    | -<br>3                    | -<br>3                    |
| 14  |    | 18,5 / 121 / 2770<br>(15,5 / 96 / 3080)<br>18,5 / 121 / 3080<br>(15,5 / 96 / 3710)<br>18,5 / 121 / 3710 | 25<br>-<br>-<br>-<br>- | -<br>(32)<br>25<br>-<br>- | -<br>(40)<br>31<br>-<br>- | -<br>-<br>-<br>(40)<br>31 |
| 15  |  | 18,5 / 146 / 1400<br>18,5 / 146 / 1780<br>18,5 / 146 / 3140<br>18,5 / 146 / 3560                        | -<br>-<br>-<br>-       | -<br>-<br>1<br>-          | -<br>-<br>-<br>1          | -<br>-<br>-<br>1          |
| 16  |  | 18,5 / 146 / 1610<br>18,5 / 146 / 2840<br>18,5 / 146 / 3750   | -<br>3<br>-            | -<br>-<br>-               | -<br>-<br>-               | -<br>-<br>2               |
| 17  |  | 18,5 / 146 / 1500<br>18,5 / 146 / 3140  | -<br>-                 | -<br>2                    | -<br>2                    | -<br>-                    |
| 18  |  | 18,5 / 58 / 1500<br>18,5 / 58 / 1610<br>18,5 / 58 / 2050<br>18,5 / 58 / 2840                            | -<br>-<br>-<br>3       | -<br>2<br>-<br>-          | -<br>2<br>-<br>-          | 2<br>-<br>-<br>-          |



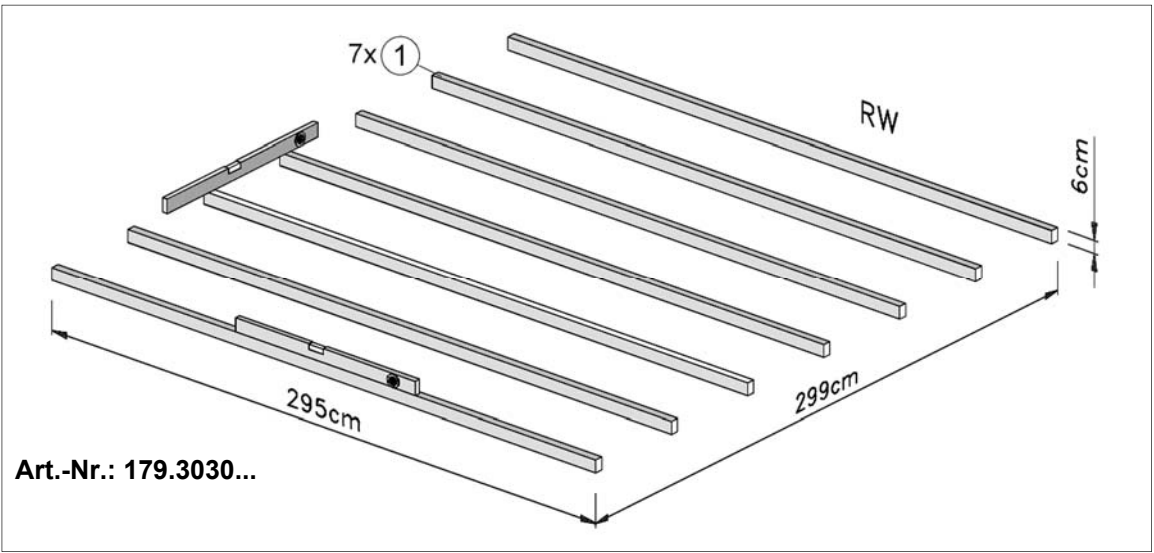
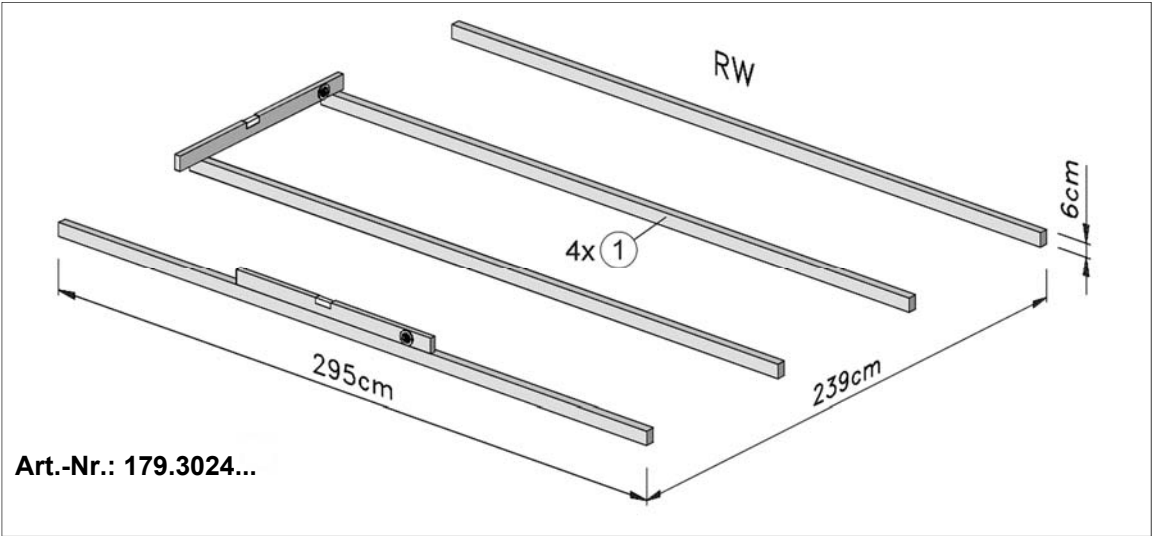
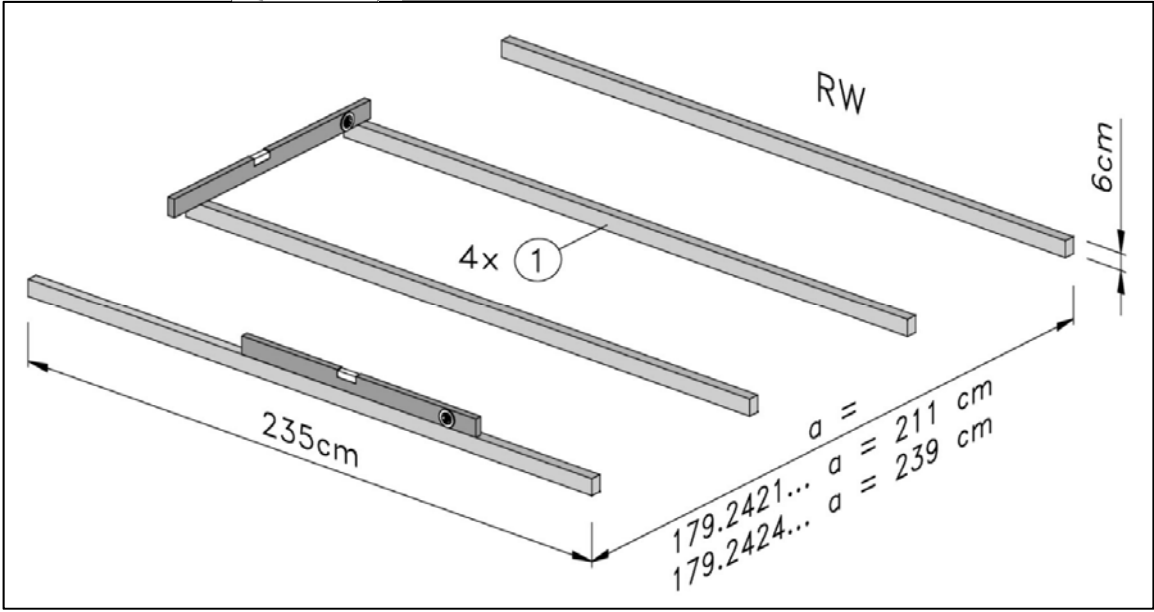
| Pos | Bild  | Abmessung  | Stück            |                  |                  |                  |
|-----|---|--|------------------|------------------|------------------|------------------|
|     |   |  | 179.2421...      | 179.2424...      | 179.3024...      | 179.3030...      |
| 19  |    | 18,5 / 58 / 1420<br>18,5 / 58 / 1610<br>18,5 / 58 / 1790<br>18,5 / 58 / 2050 | -<br>-<br>-<br>- | -<br>2<br>-<br>- | -<br>1<br>-<br>1 | -<br>-<br>-<br>- |
| 20  |    | 18,5 / 58 / 1610   | -                | 2                | 2                | -                |
| 21  |  | 15 / 45 / 1775<br>15 / 45 / 1920<br>15 / 45 / 2300                           | -<br>3<br>-      | -<br>3<br>-      | 4<br>-<br>1      | 4<br>-<br>3      |
| 22  |  | 11 / 58 / 1480<br>11 / 58 / 2040   | -<br>2           | -<br>2           | 4<br>-           | 4<br>-           |
| 23  |  | 861 x 1768   | 1                | 1                | 1                | 1                |
| 24  |  | 46/80/1810   | 1                | 1                | 1                | 1                |

| Pos | Bild  | Abmessung  | Stück       |             |             |             |
|-----|---|------------|-------------|-------------|-------------|-------------|
|     |   |            | 179.2421... | 179.2424... | 179.3024... | 179.3030... |
| 25  |    | 861 x 1768 | 1           | 1           | 1           | 1           |
| 26  |   | 46/80/1810 | 1           | 1           | 1           | 1           |
| 27  |  | 46/80/1820 | 1           | 1           | 1           | 1           |
| 28  |  | 21/67/1815 | 1           | 1           | 1           | 1           |
| 29  |  | 21/67/1815 | 1           | 1           | 1           | 1           |
| 30  |  | 21/67/1820 | 1           | 1           | 1           | 1           |

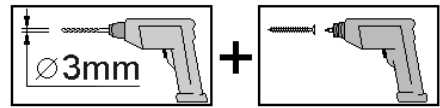
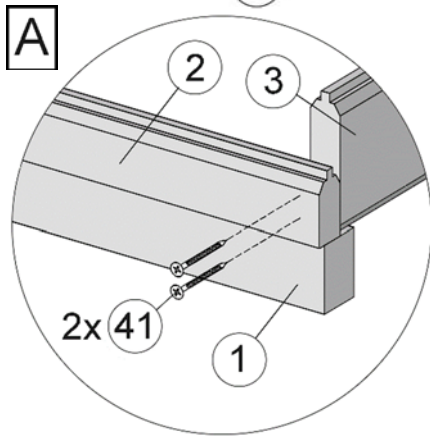
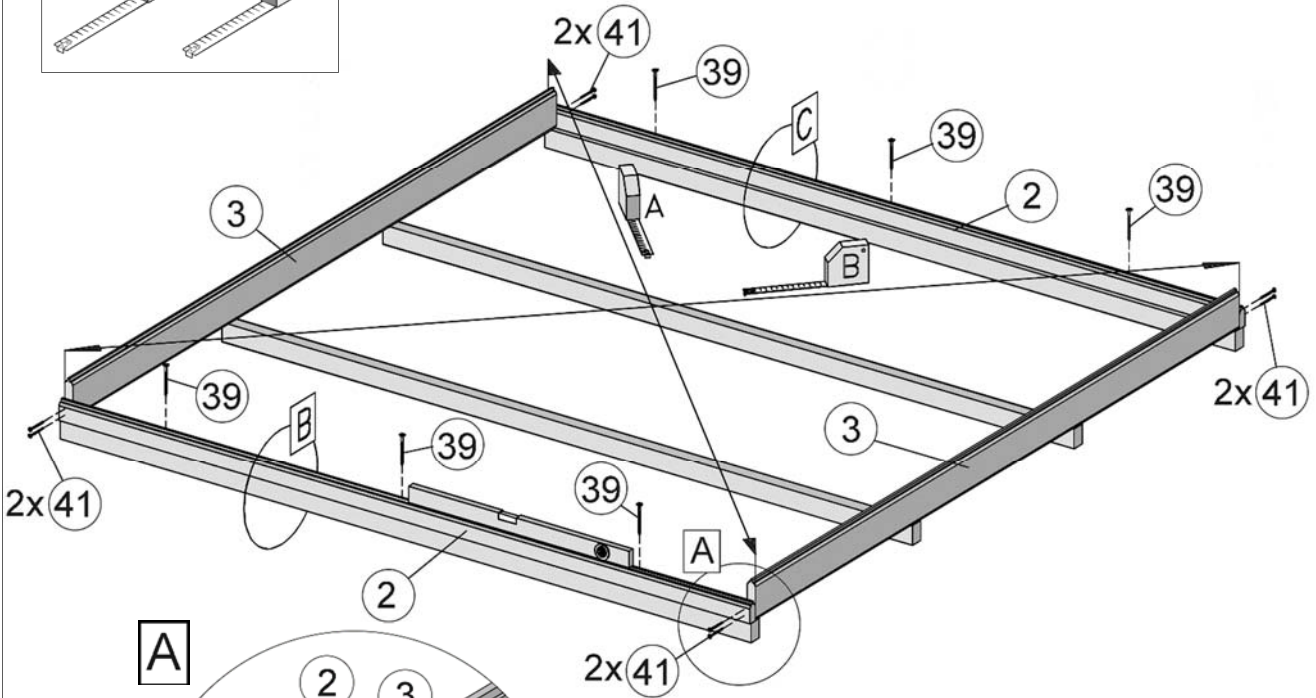
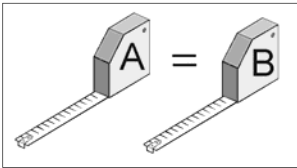
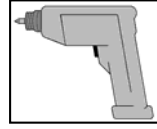
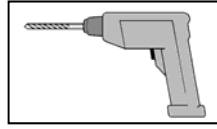
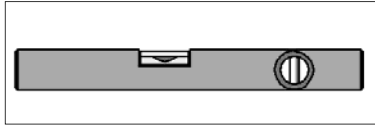
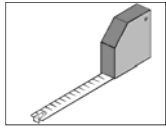
| Pos | Bild  | Abmessung      | Stück       |             |             |             |
|-----|---|----------------|-------------|-------------|-------------|-------------|
|     |   |                | 179.2421... | 179.2424... | 179.3024... | 179.3030... |
| 31  |    | 5/15/1750      | 1           | 1           | 1           | 1           |
| 32  |    |                | 2           | 2           | 2           | 2           |
| 33  |  | 15/45/1768     | 1           | 1           | 1           | 1           |
| 34  |  | 35 / 45 / 1850 | 1           | 1           | 1           | 1           |
| 35  |  | 15/25/1850     | 1           | 1           | 1           | 1           |
| 36  |  |                | 1           | 1           | 1           | 1           |
| 37  |  |                | 2           | 2           | 2           | 2           |

| Pos | Bild  | Abmessung                           | Stück       |             |             |             |
|-----|---|-------------------------------------|-------------|-------------|-------------|-------------|
|     |   |                                     | 179.2421... | 179.2424... | 179.3024... | 179.3030... |
| 38  |    | 6m <sup>2</sup><br>10m <sup>2</sup> | -<br>1      | 2<br>-      | -<br>2      | -<br>2      |
| 39  |    | 5,0 x 120                           | 6           | 6           | 6           | 6           |
| 40  |    | 5,0 x 80                            | 20          | 20          | 20          | 20          |
| 41  |    | 4,0 x 60                            | 410         | 410         | 410         | 410         |
| 42  |  | 4,0 x 40                            | 150         | 150         | 150         | 150         |
| 43  |  | 3,5 x 35                            | 7           | 7           | 7           | 7           |
| 44  |  | 3,5 x 30                            | 260         | 260         | 260         | 260         |
| 45  |  | 3,5 x 16                            | 16          | 16          | 16          | 16          |
| 46  |  | 2,2 x 55                            | 800         | 800         | 800         | 800         |
| 47  |  | 1,6 x 30                            | 16          | 16          | 16          | 16          |
| 48  |  | 2,0 x 16                            | 400         | 400         | 400         | 400         |
| 49  |  | 28 / 60 / 300                       | 4           | 4           | 4           | 4           |

1



2



a = a!

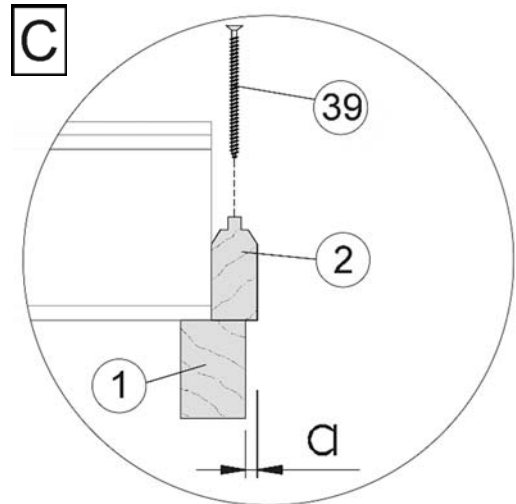
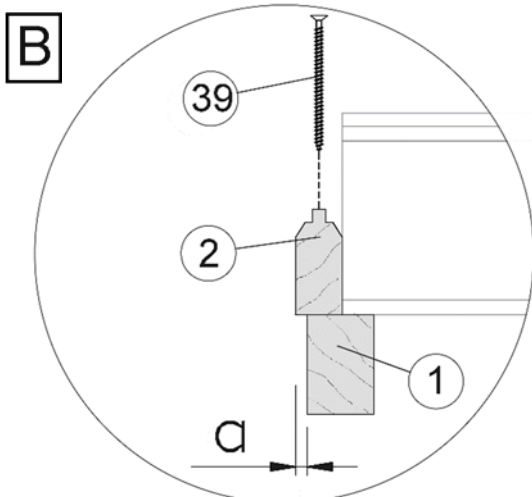


Abbildung Art.-Nr.: 179.2424

**3**

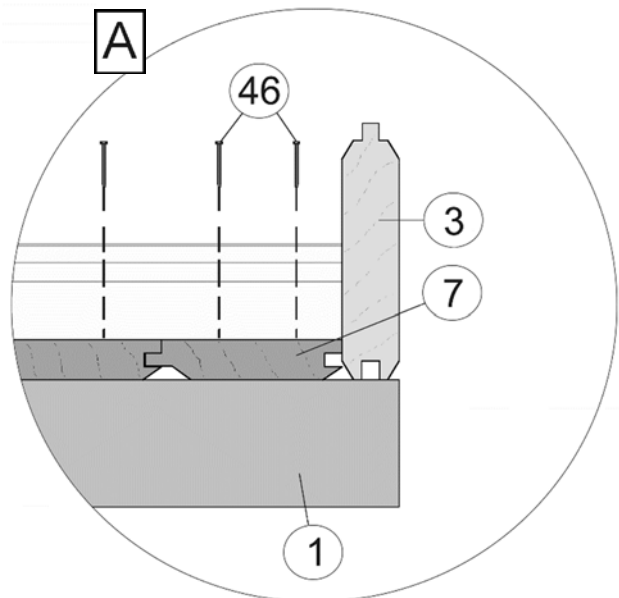
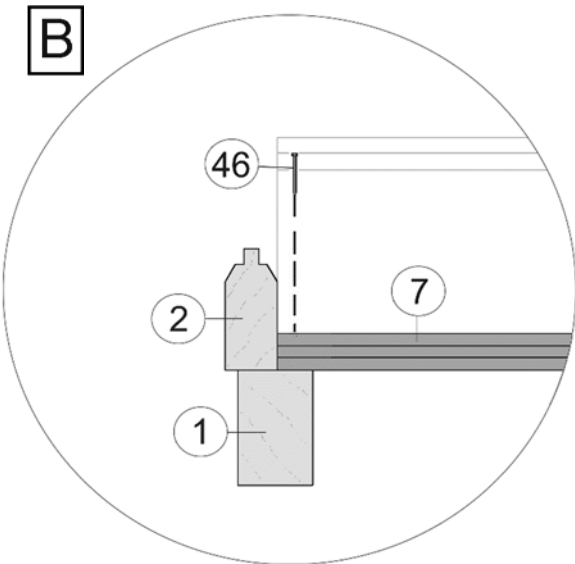
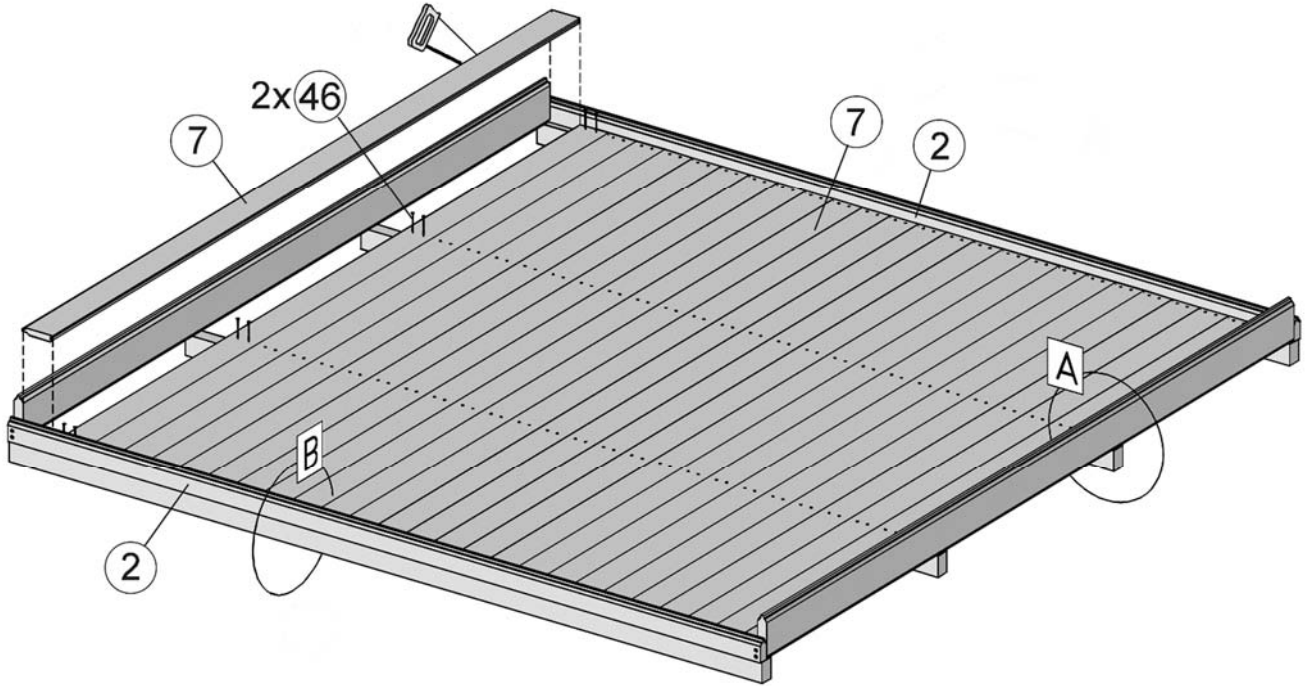
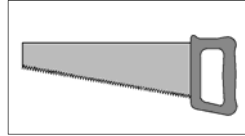
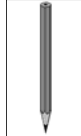
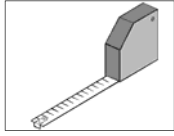
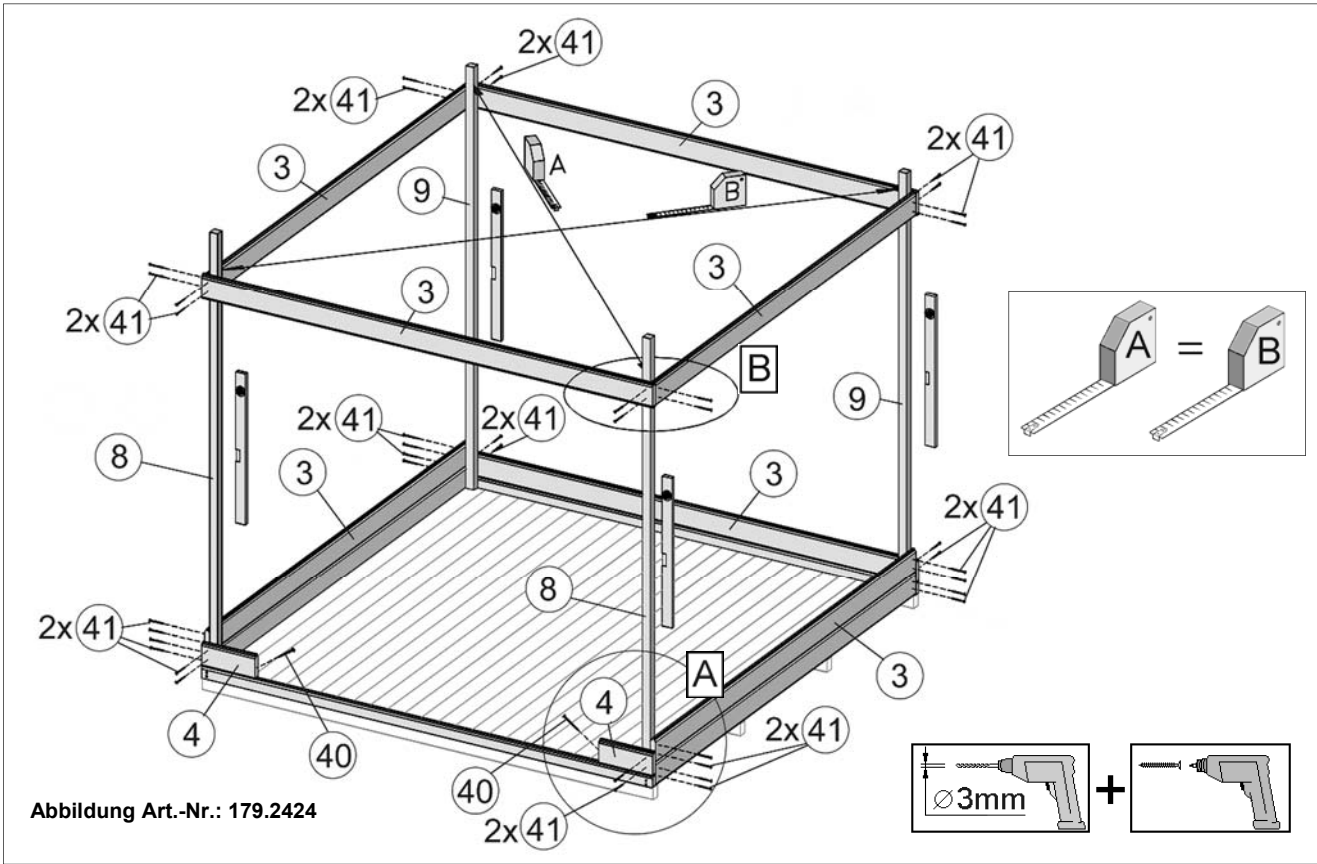
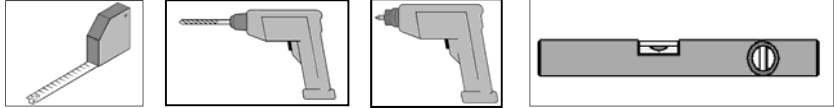
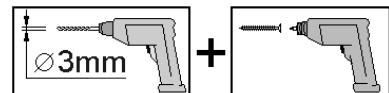
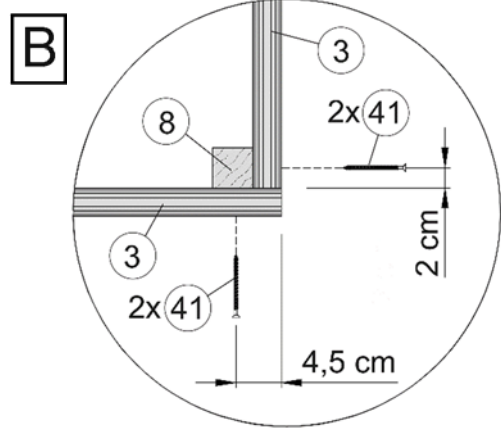
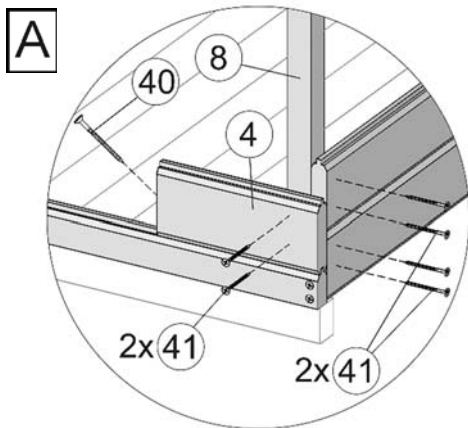


Abbildung Art.-Nr.: 179.2424

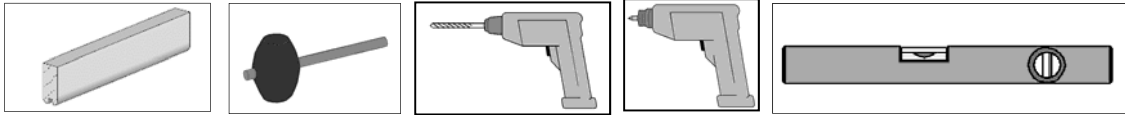
# 4



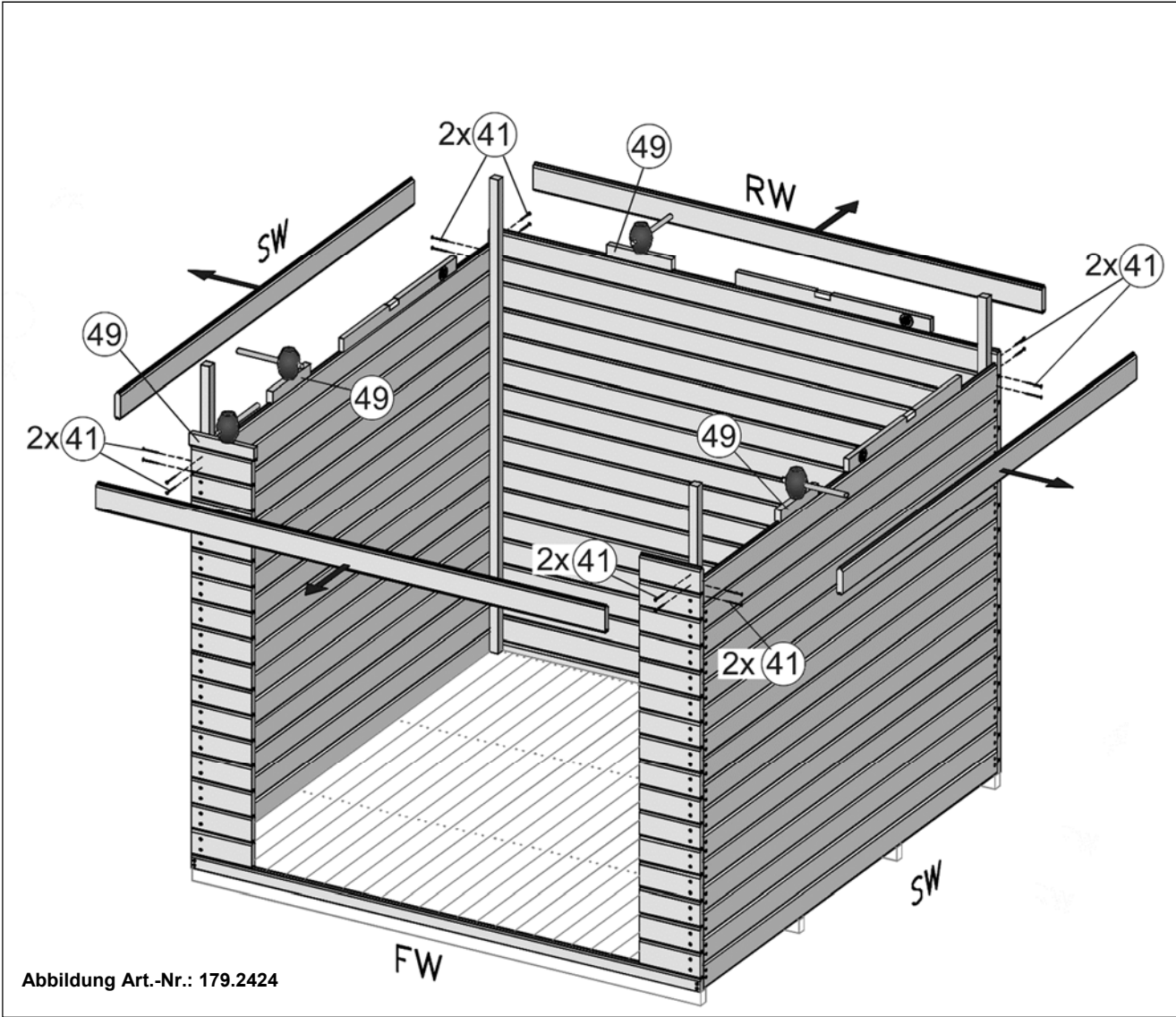
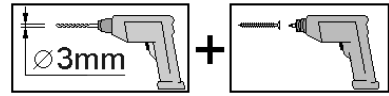
Die oberen Wandbohlen werden nur vorübergehend als Montagehilfe befestigt (Abb.4), später wieder abgenommen und an anderer Stelle montiert. (Abb.5)



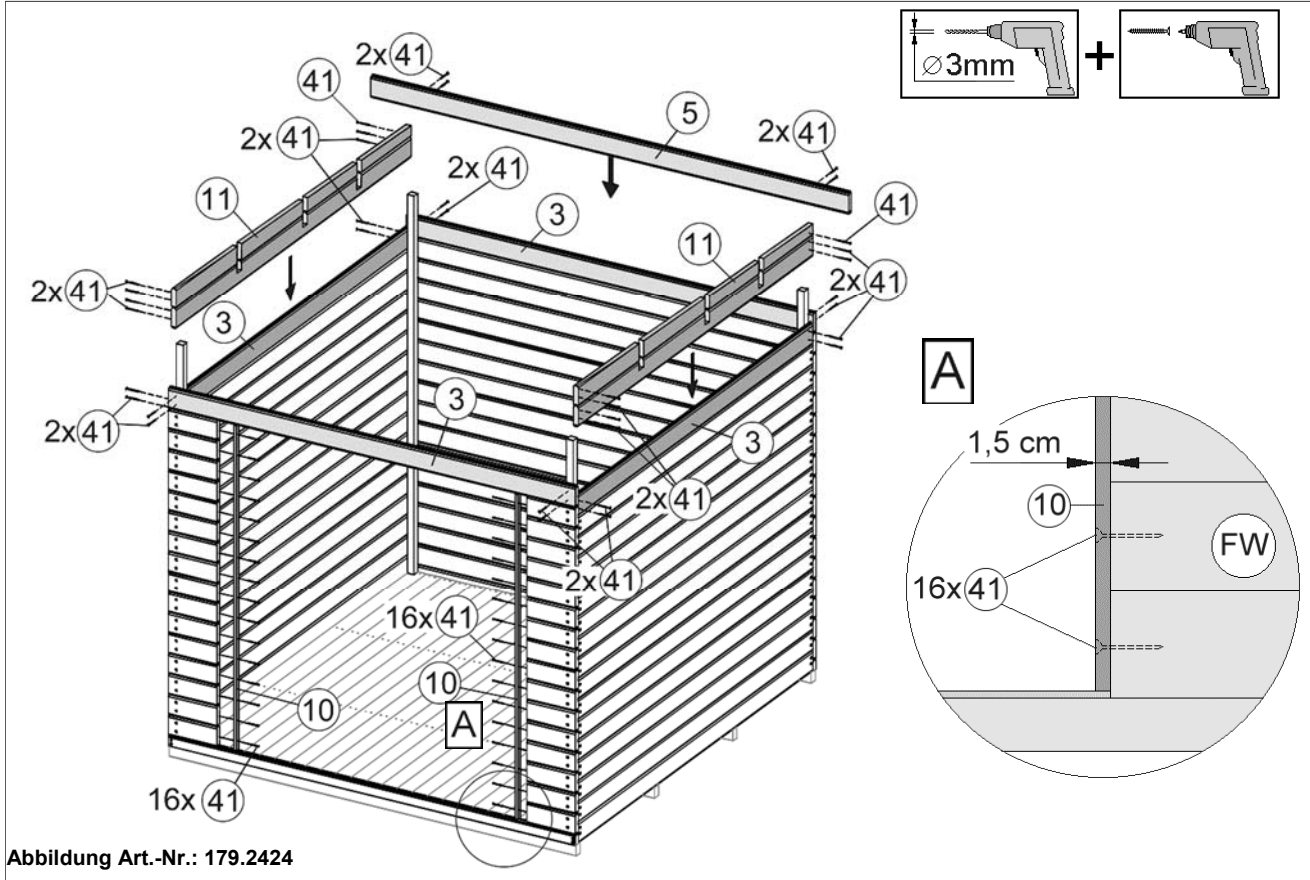
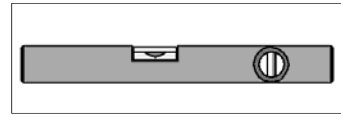
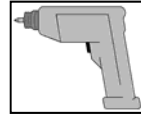
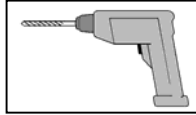
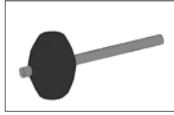
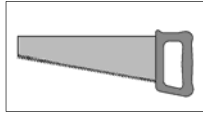




**5**



6



7

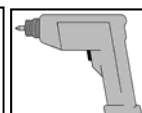
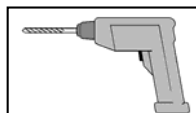
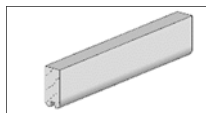
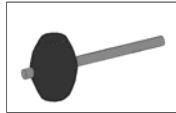
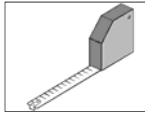
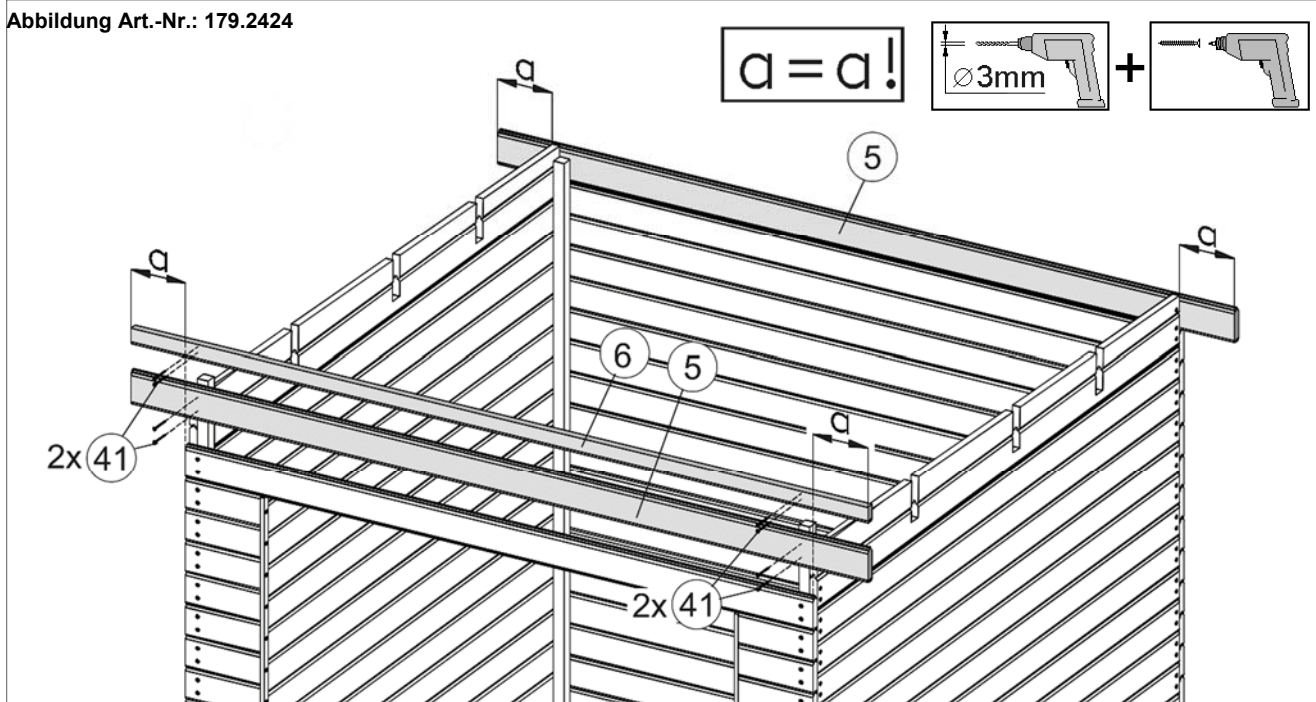
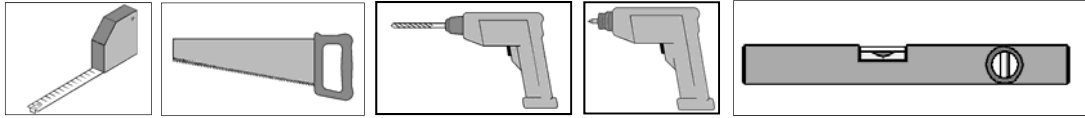


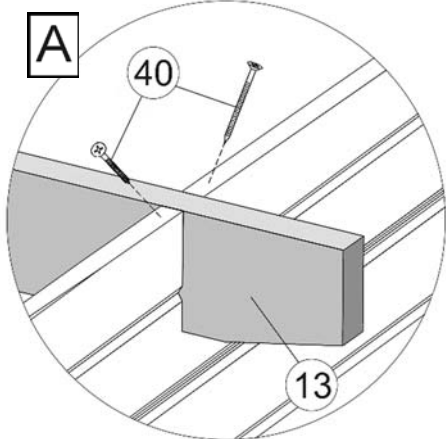
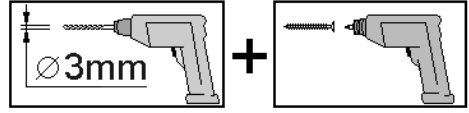
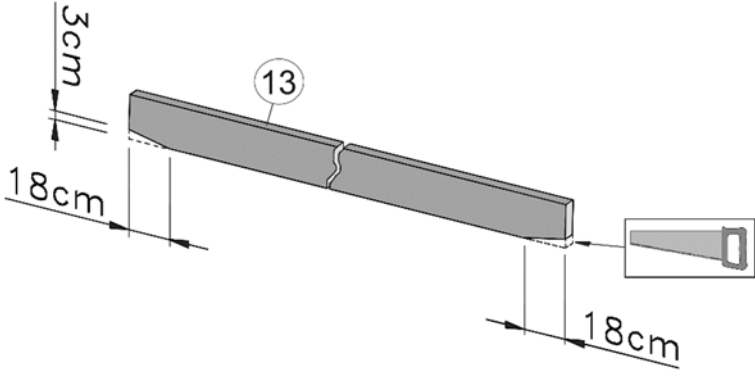
Abbildung Art.-Nr.: 179.2424



8



1.



a=a!

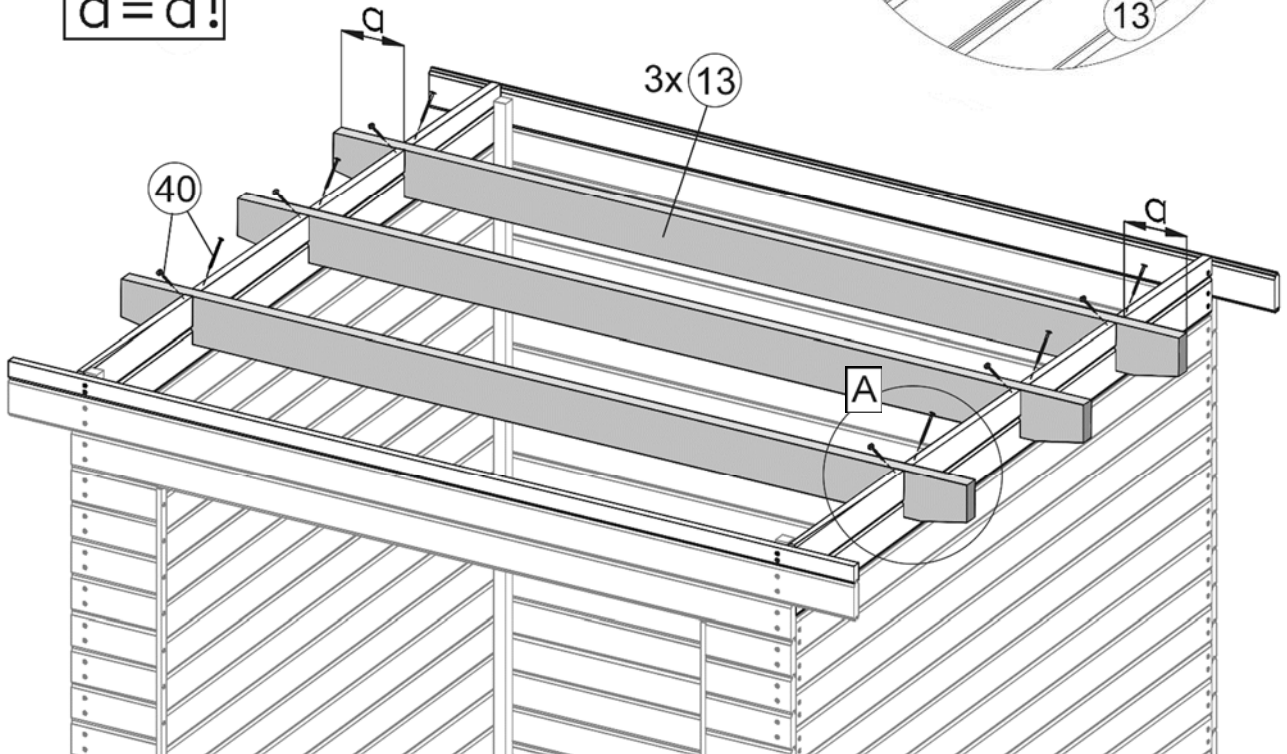


Abbildung Art.-Nr.: 179.2424

**9**

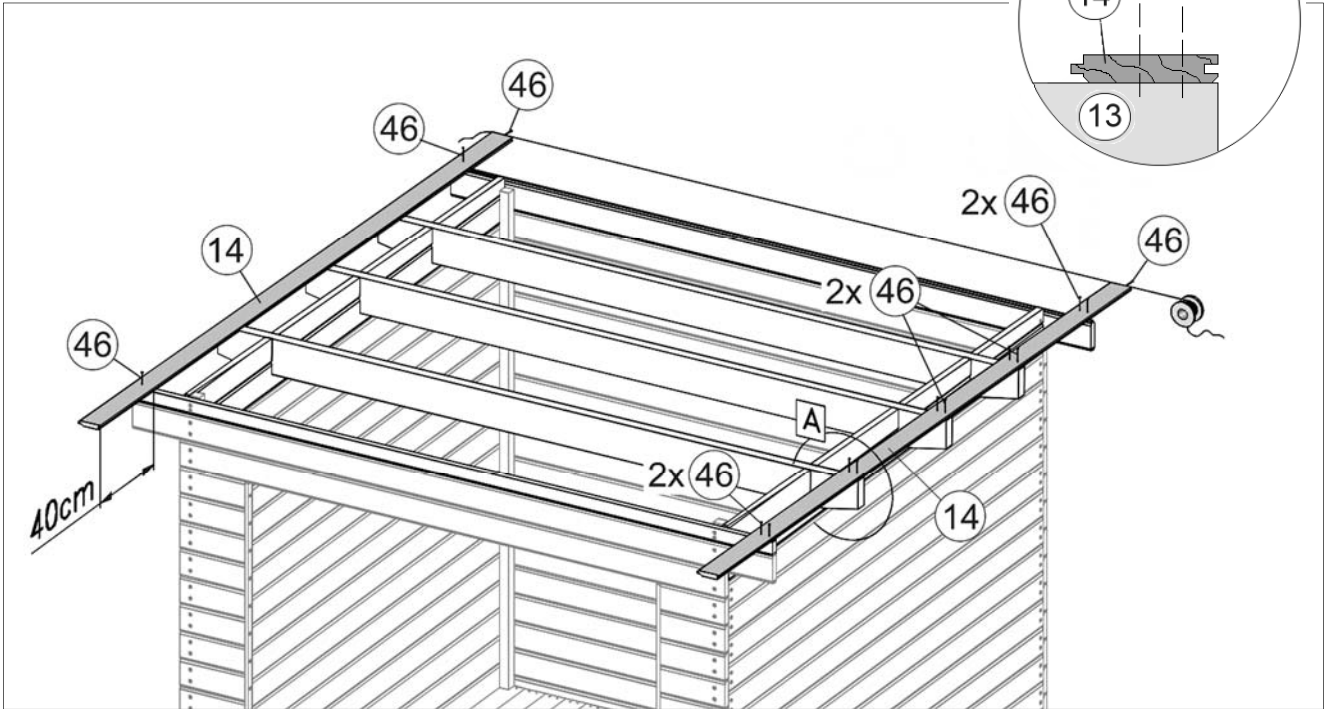
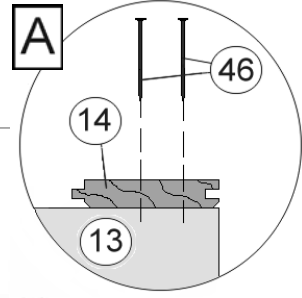
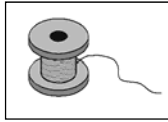
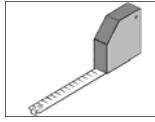


Abbildung Art.-Nr.: 179.2424

**10**

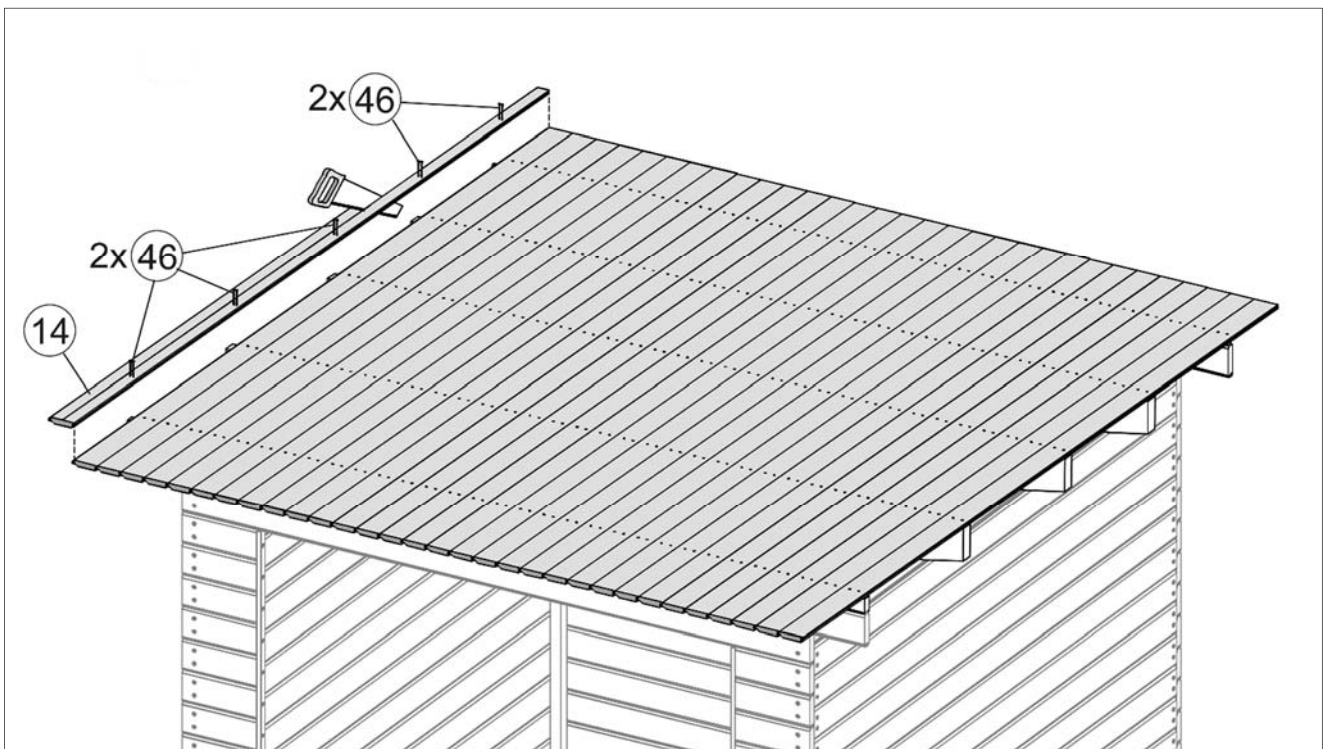
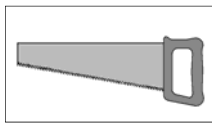
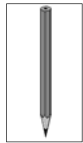
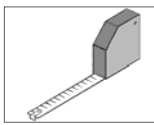


Abbildung Art.-Nr.: 179.2424



11

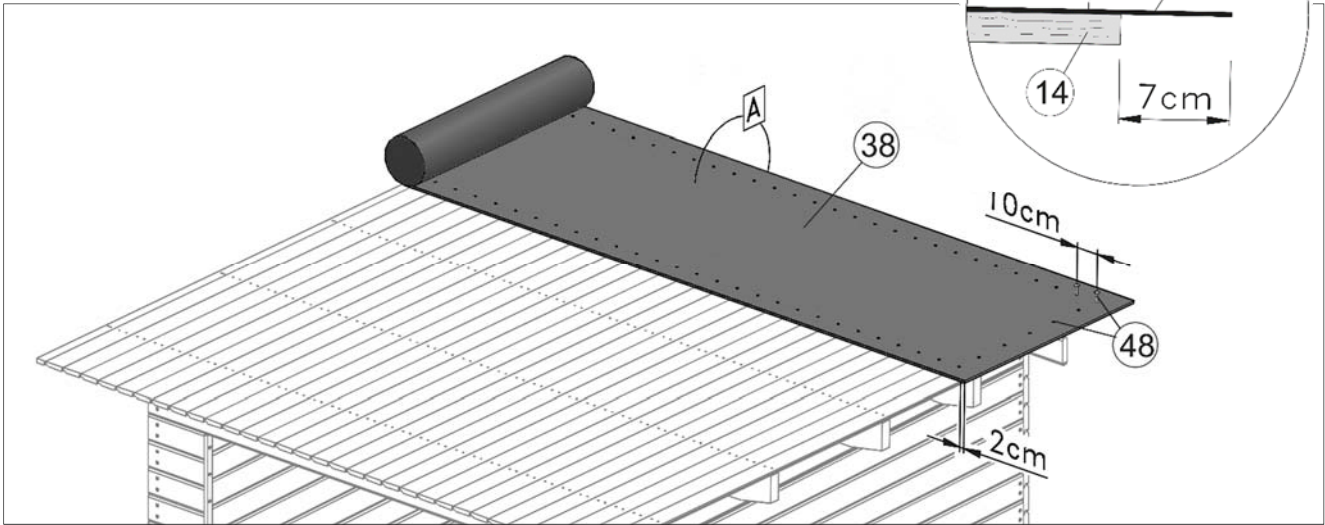
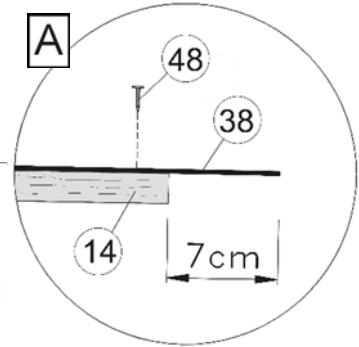
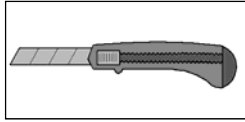
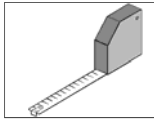


Abbildung Art.-Nr.: 179.2424

12

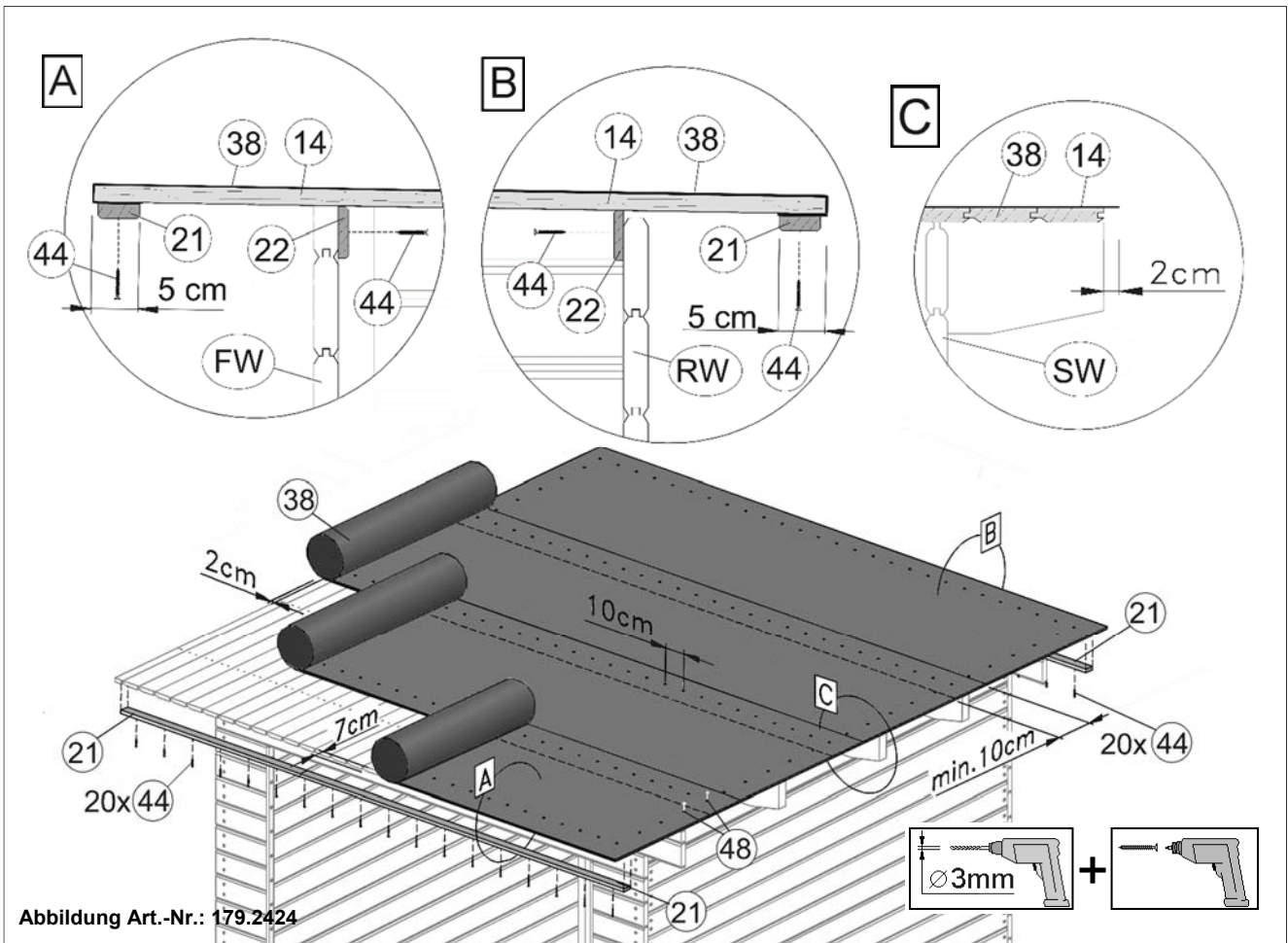
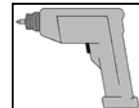
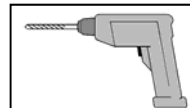
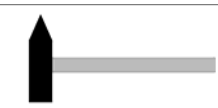
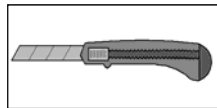
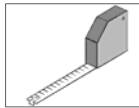


Abbildung Art.-Nr.: 179.2424

**13**

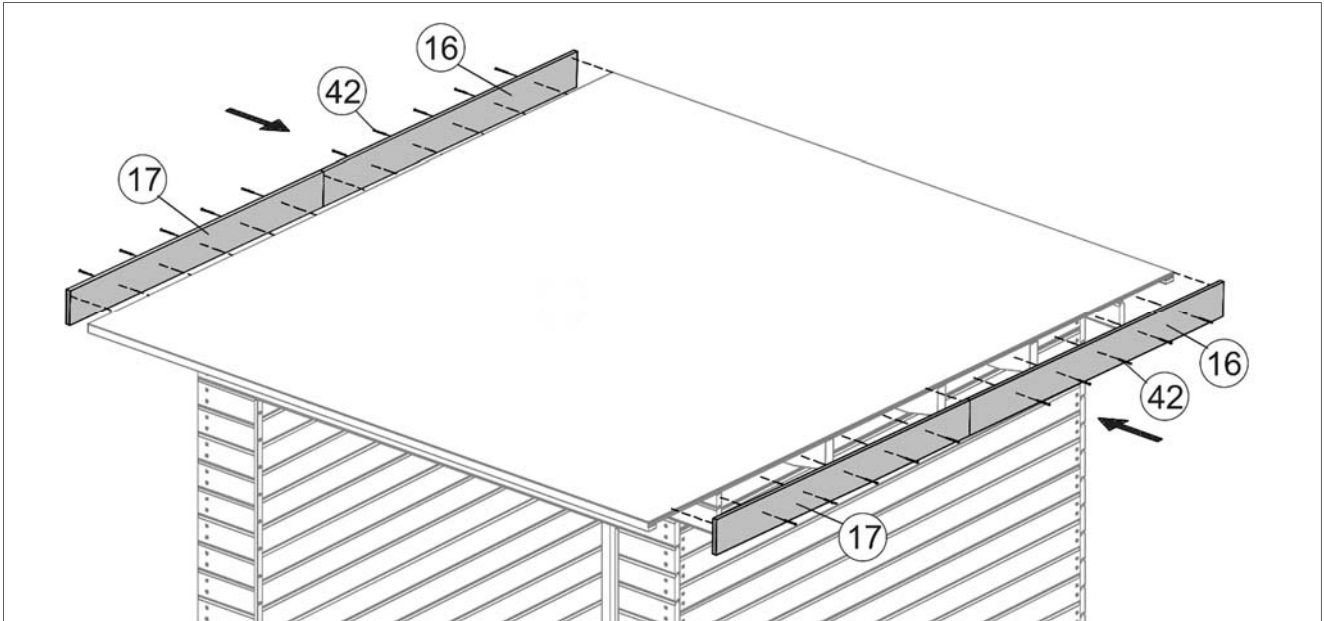
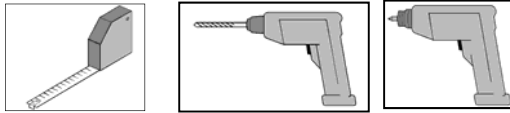


Abbildung Art.-Nr.: 179.2424

**14**

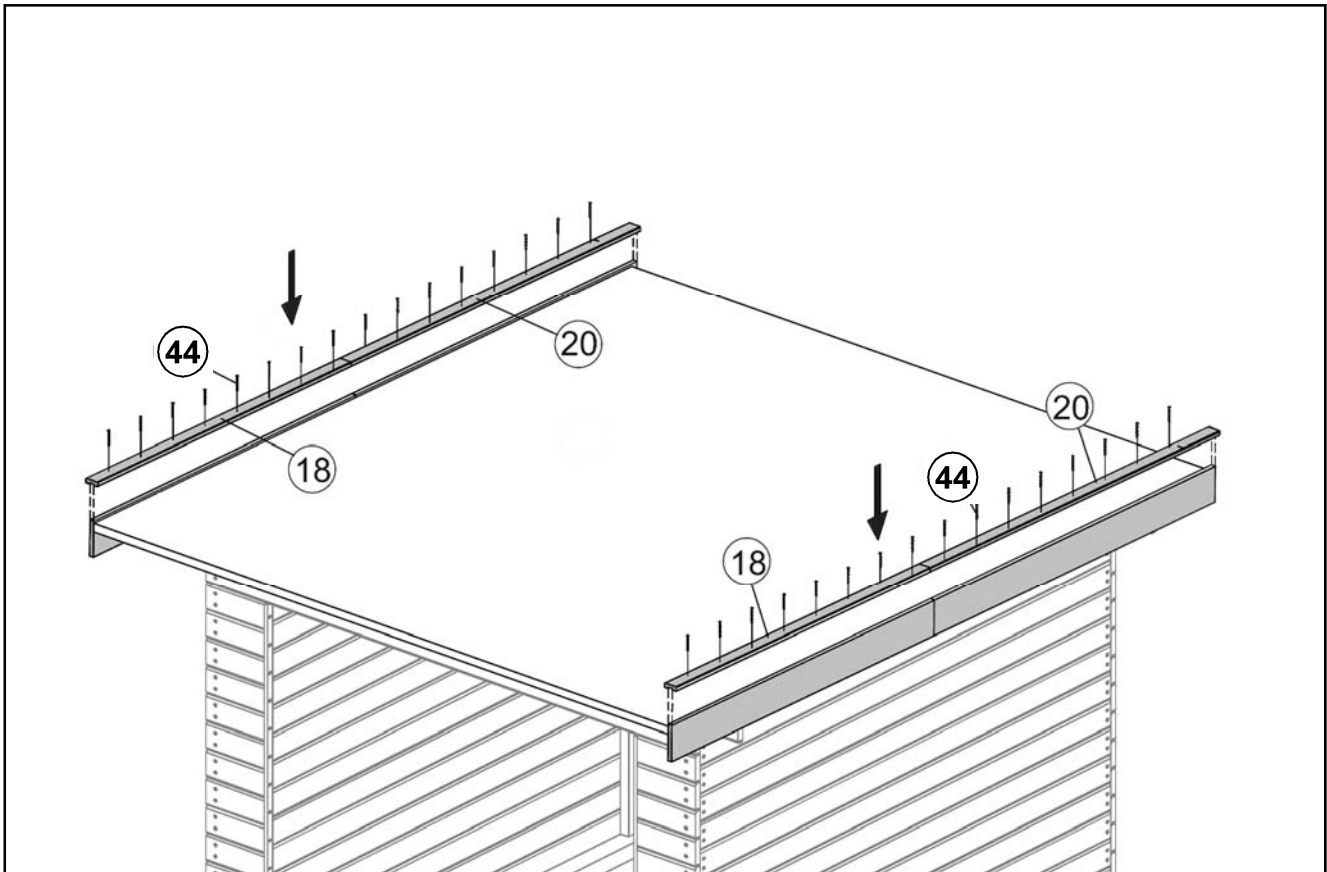
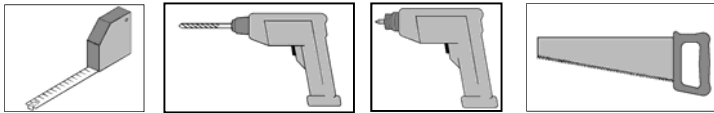


Abbildung Art.-Nr.: 179.2424

**15**

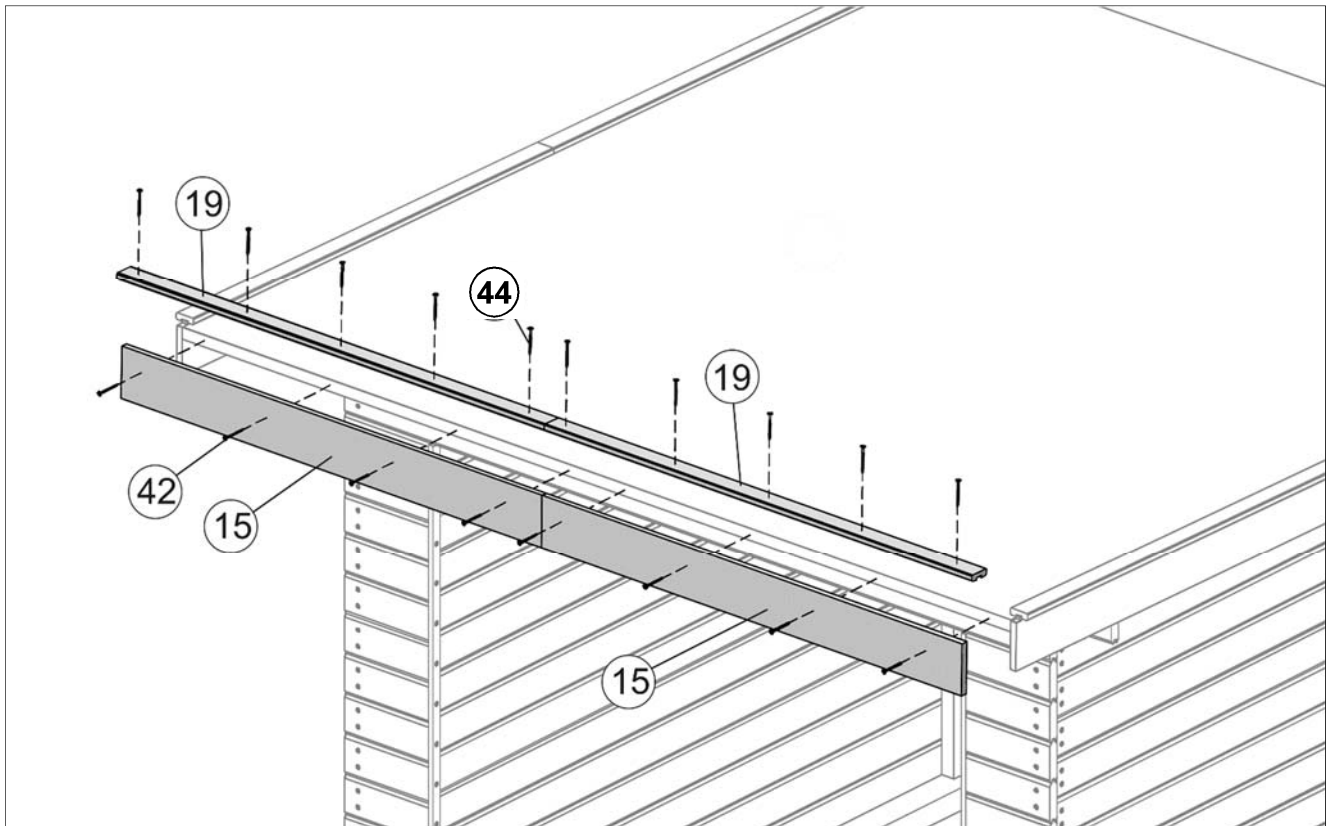
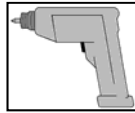
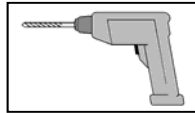
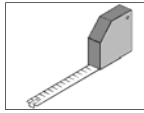
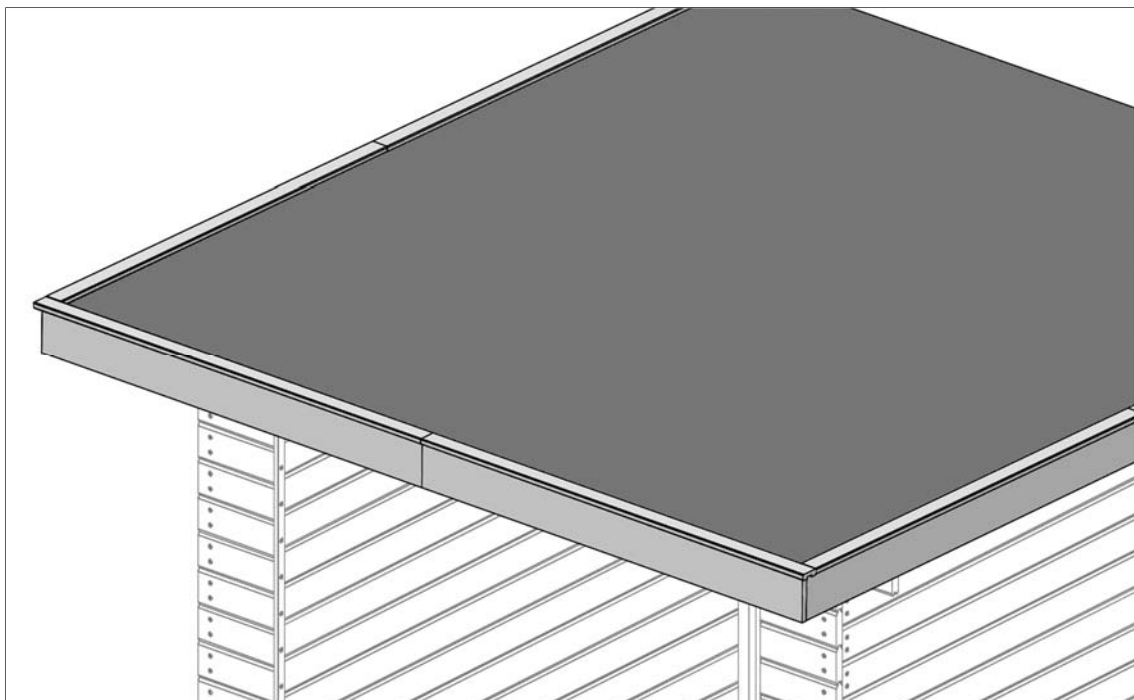
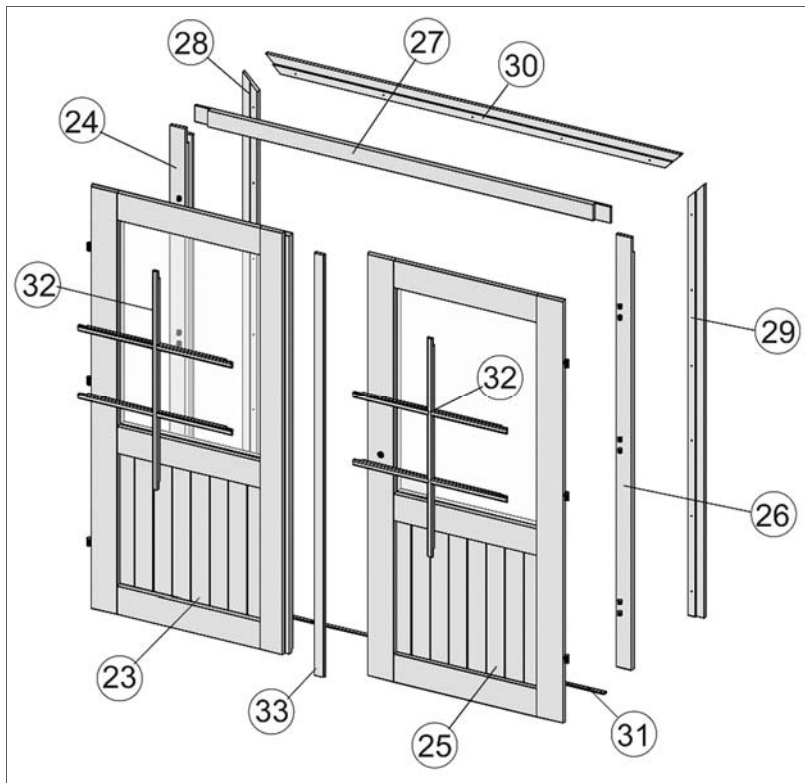


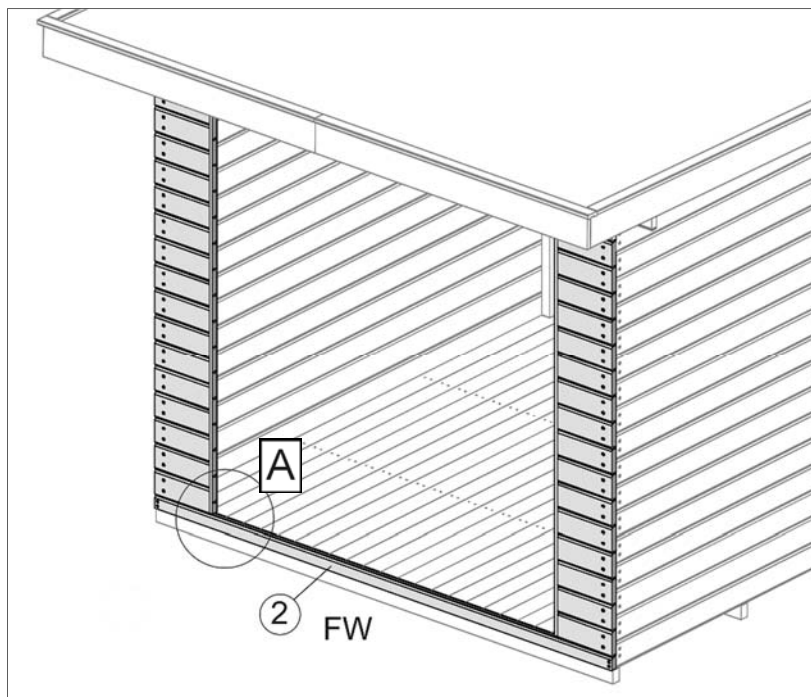
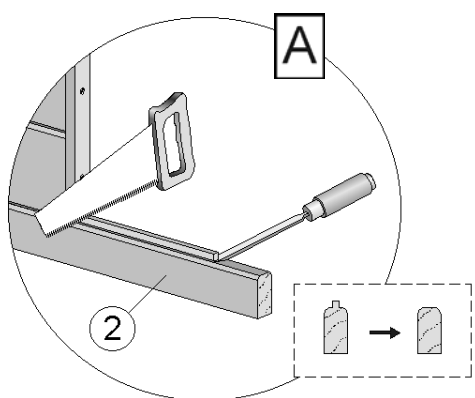
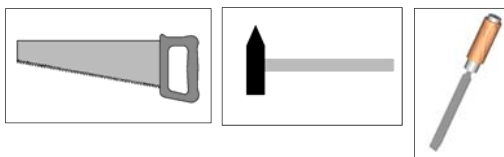
Abbildung Art.-Nr.: 179.2424



16

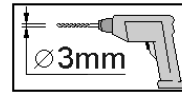
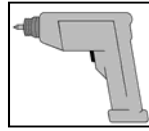
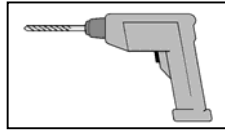
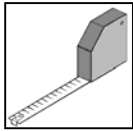


17

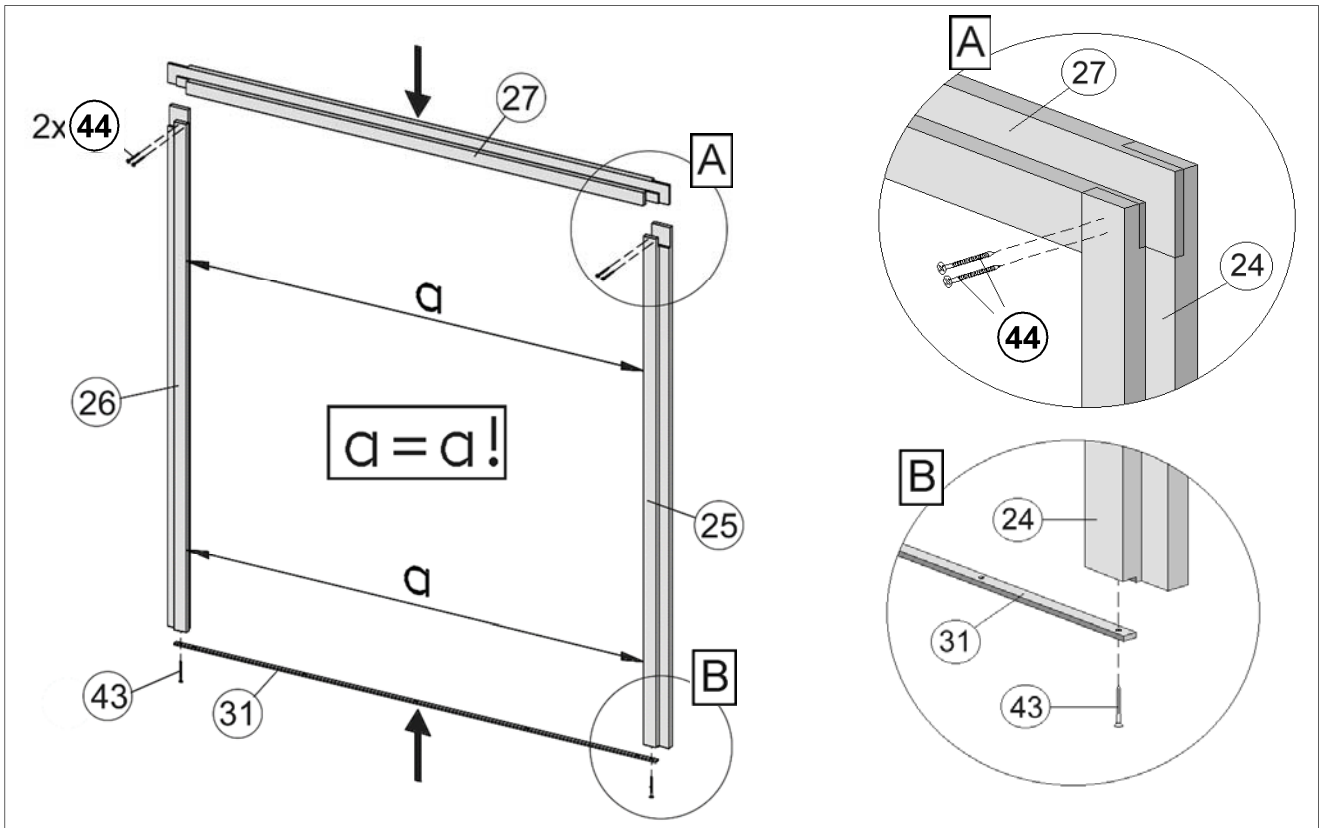
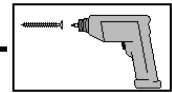




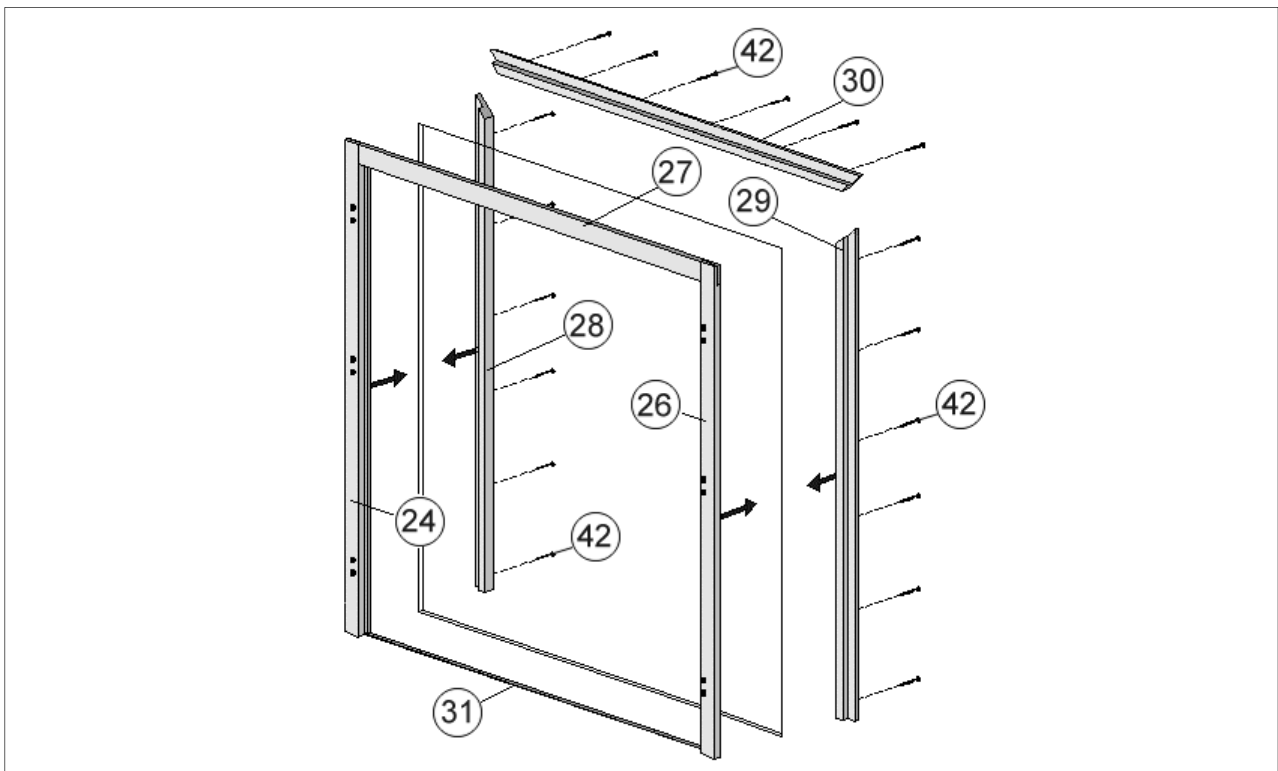
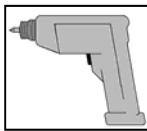
18



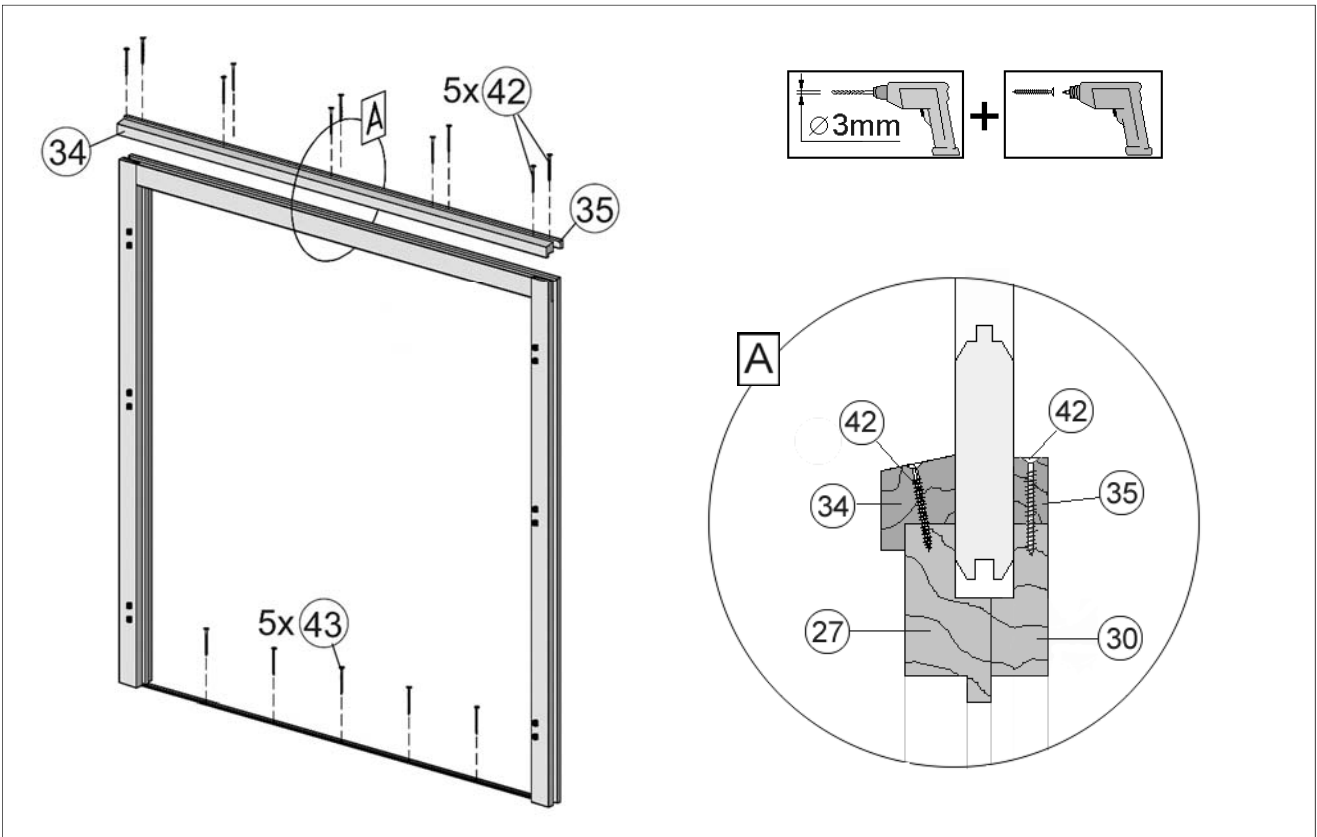
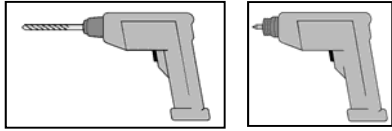
+



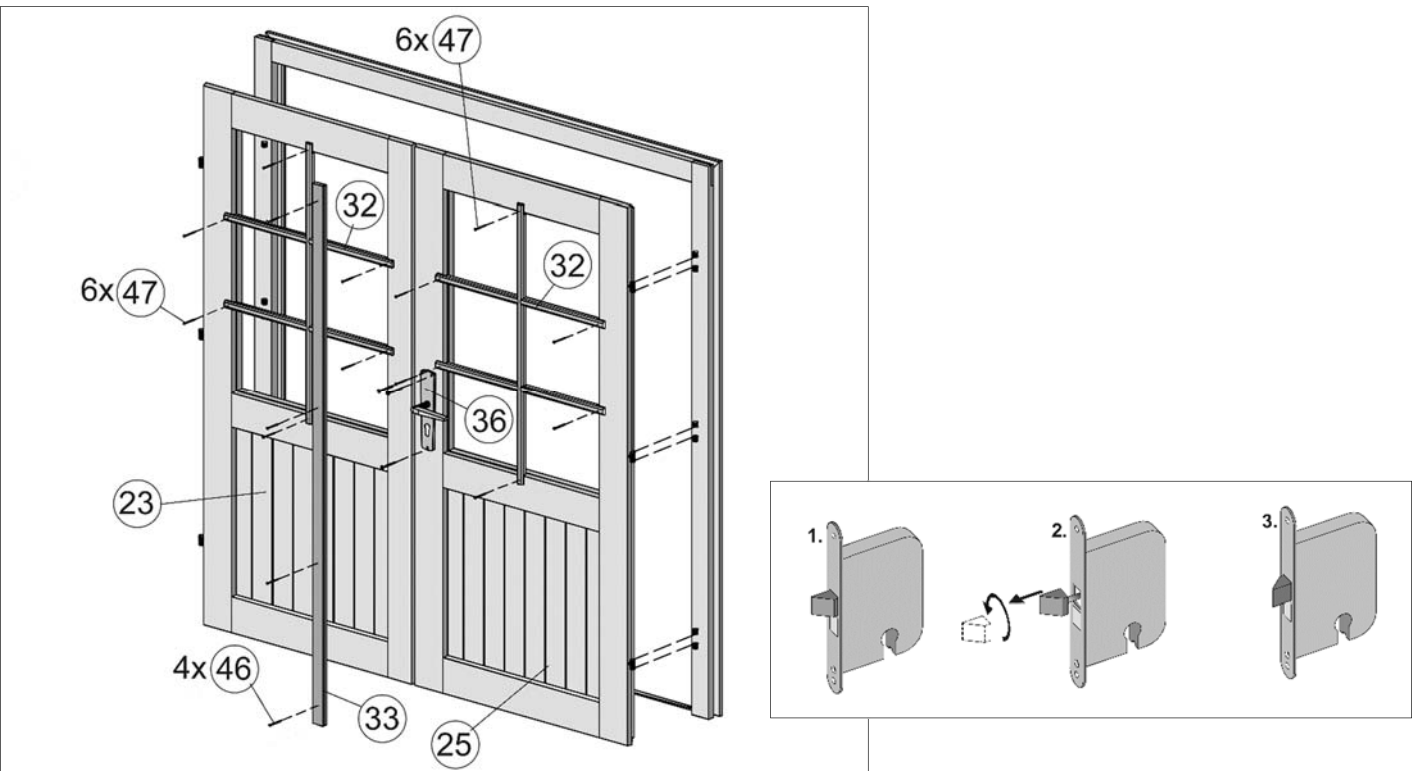
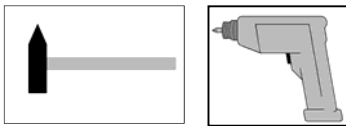
19



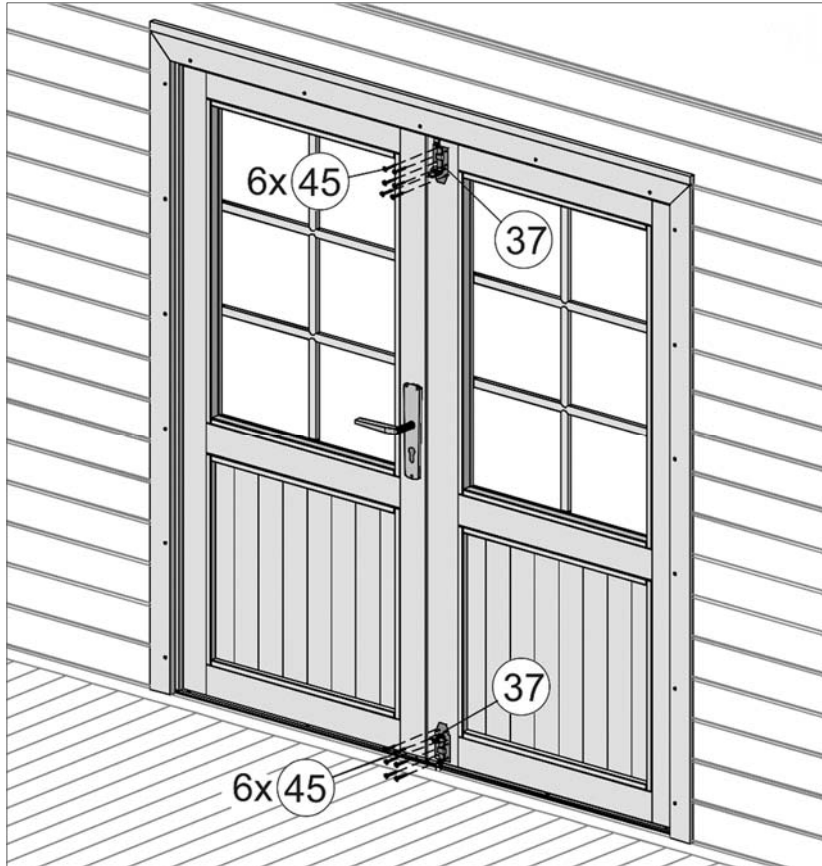
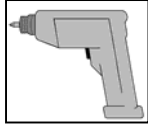
**20**



**21**



22



23

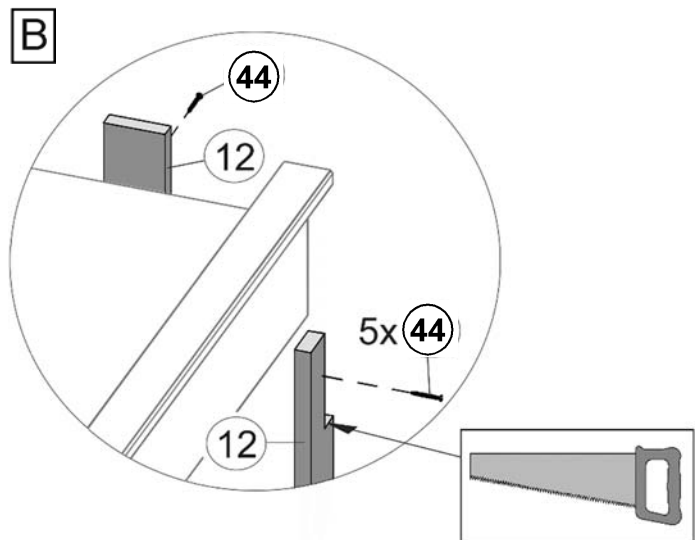
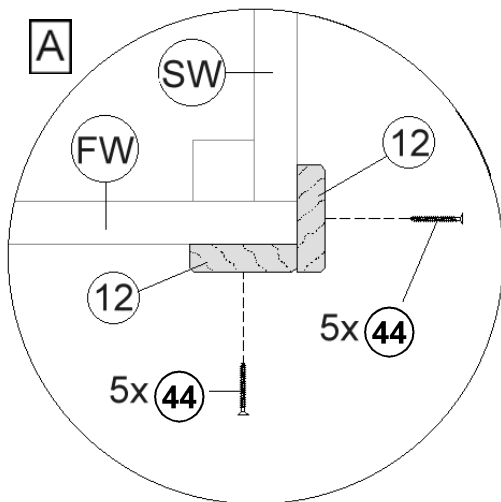
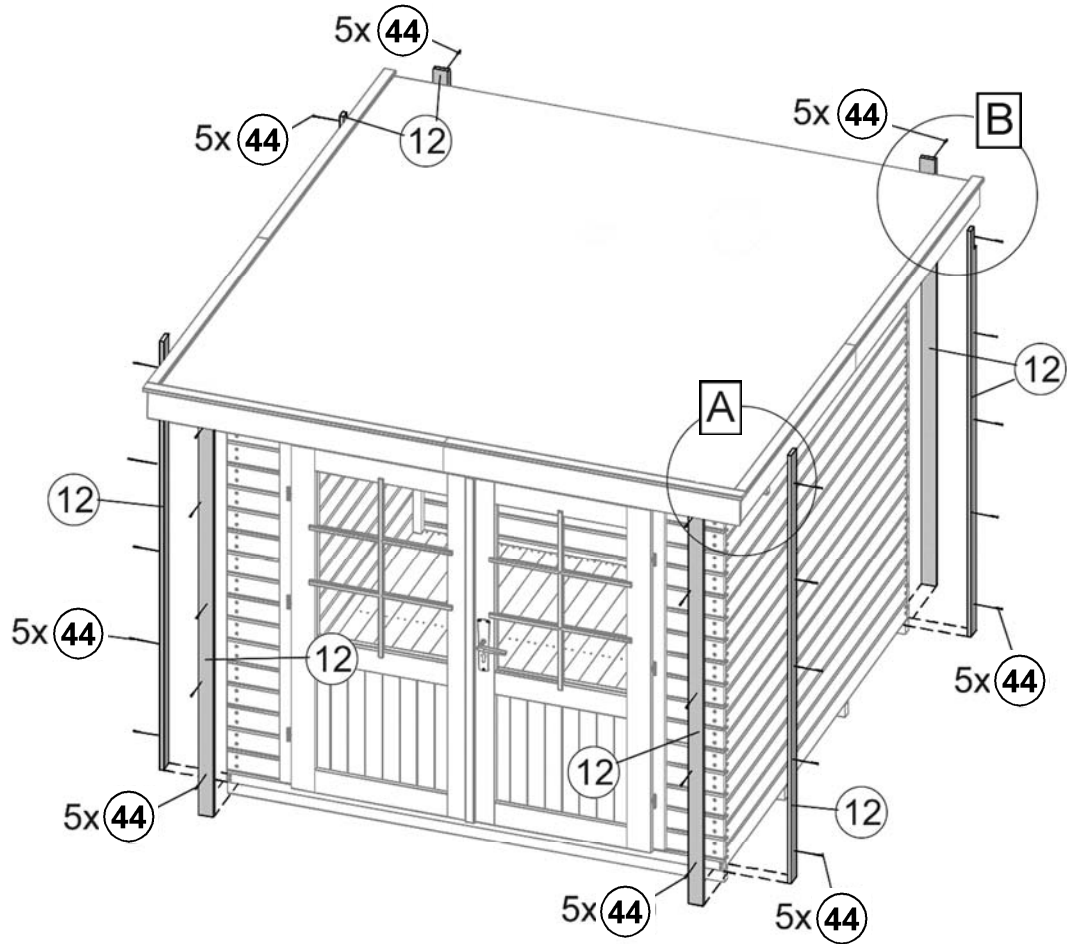
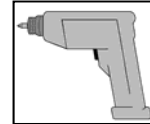
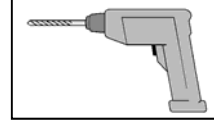
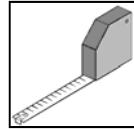
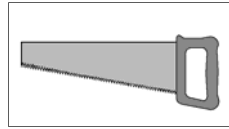
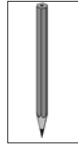
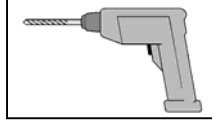
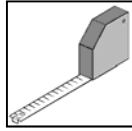
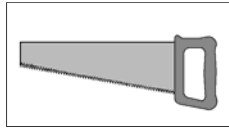
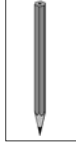
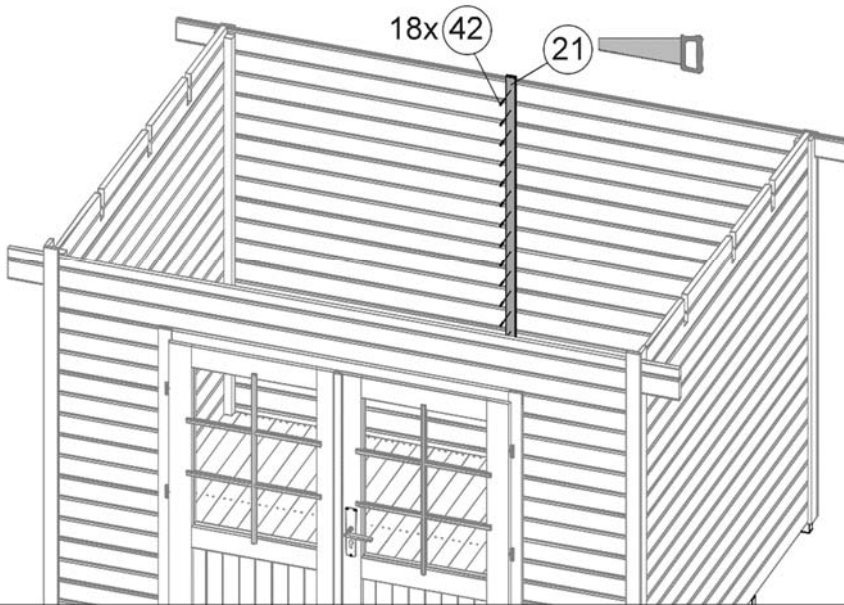


Abbildung Art.-Nr.: 179.2424

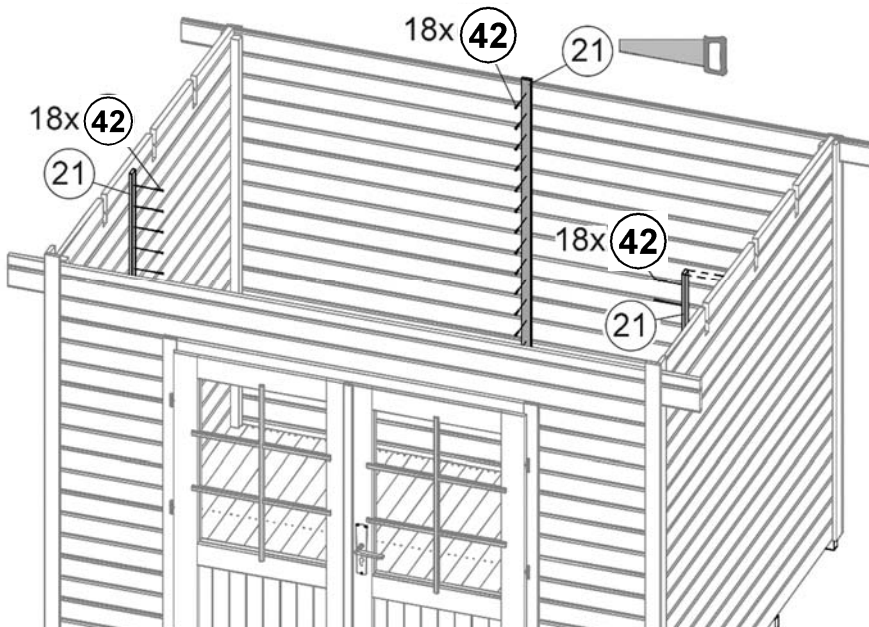
**24**



Art.-Nr.: 179.3024...



Art.-Nr.: 179.3030...









weka Holzbau GmbH, Johannesstr. 16  
D-17034 Neubrandenburg  
Tel.: 0395 42908-0  
Fax: 0395 42908-83  
EMail: [Info@weka-Holzbau.com](mailto:Info@weka-Holzbau.com)

**MA Art.-Nr.: 800.0286.16.01**

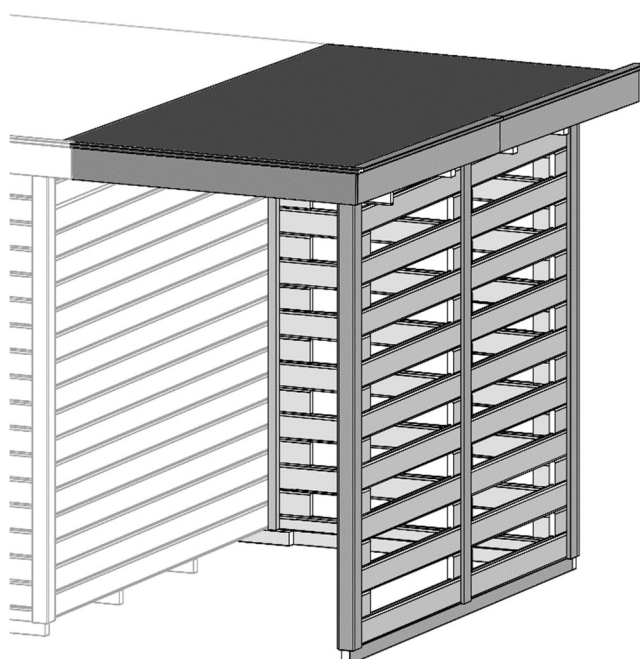




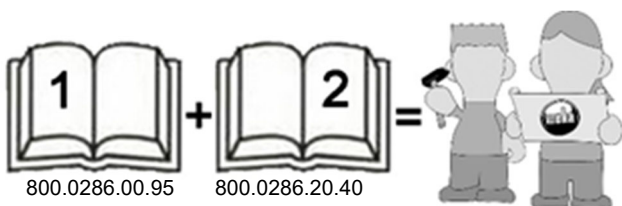
www.weka-holzbau.com



# Montageanleitung für Massivholz - Anbau



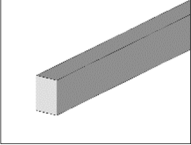
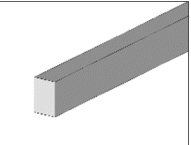
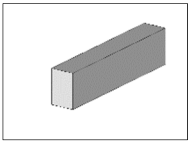
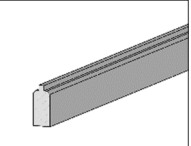
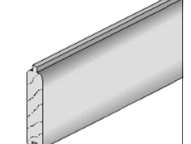
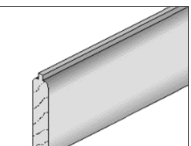
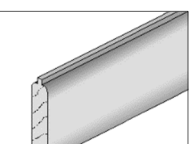
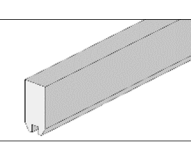
Art.-Nr.: 100.2021.00.10  
100.2024.00.10


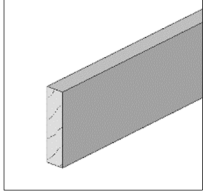
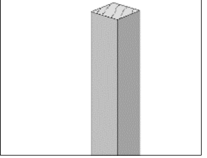
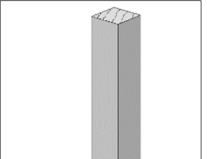
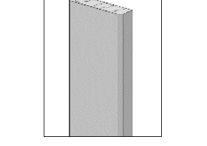
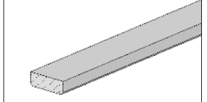
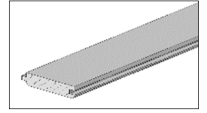
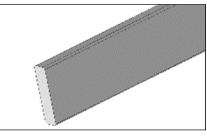
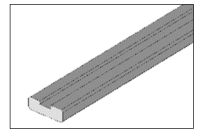


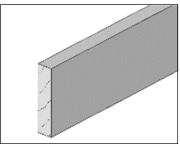
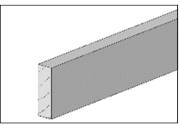
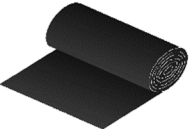



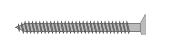
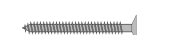




800.0286.00.95

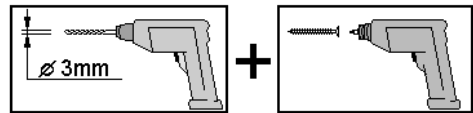
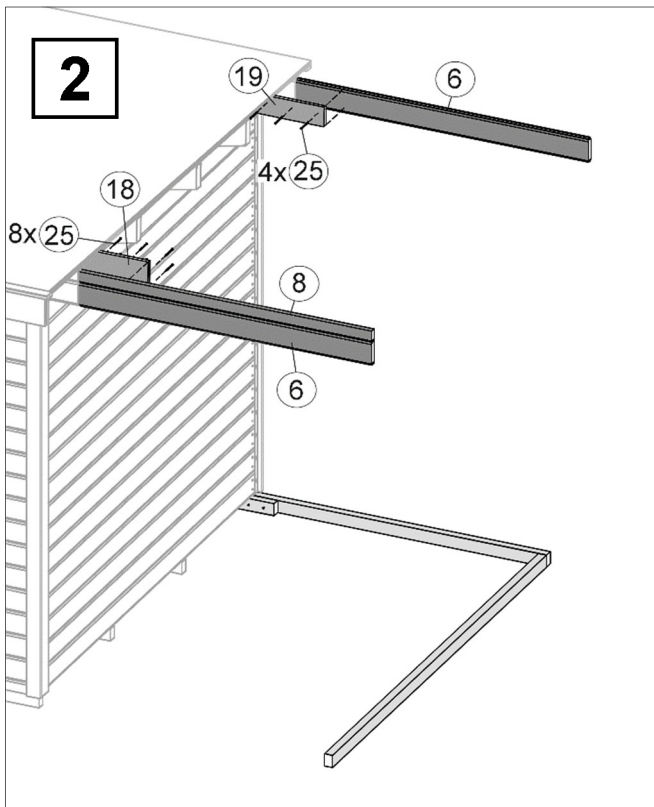
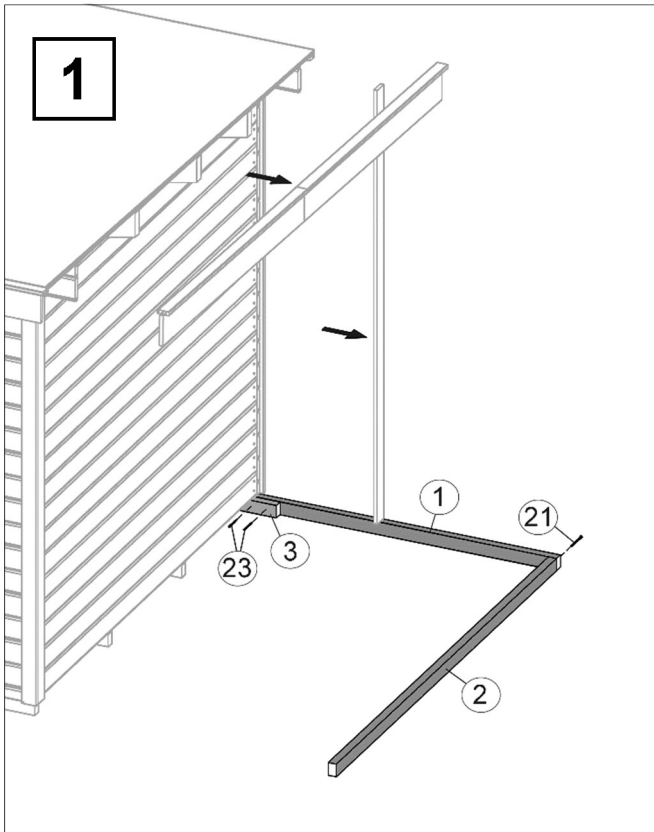
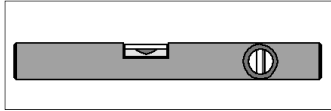
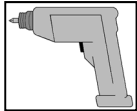
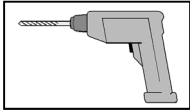
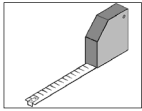
800.0286.20.40

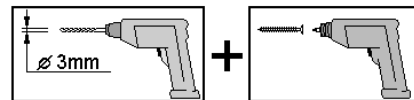
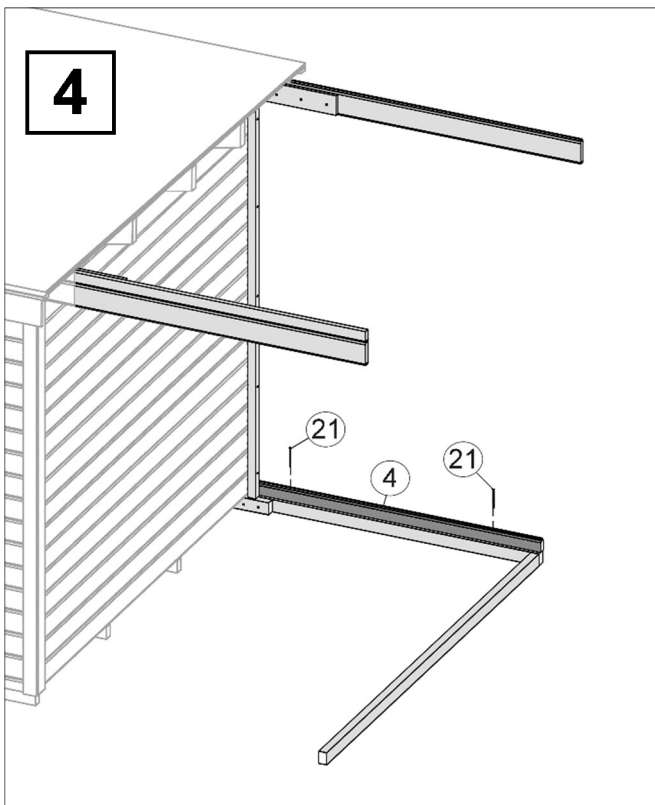
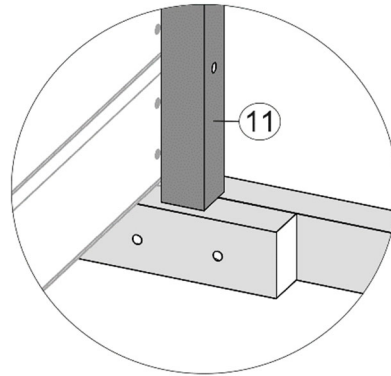
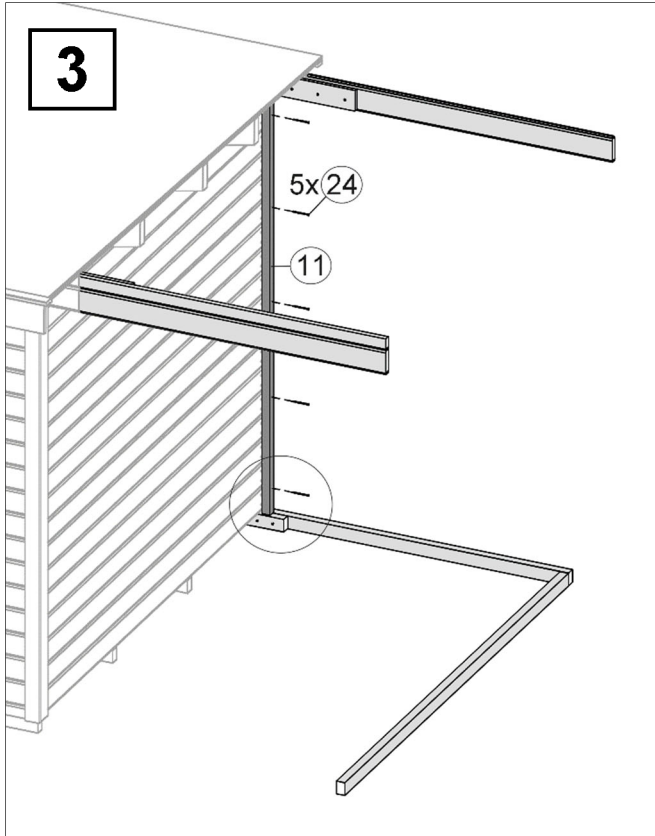
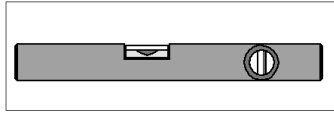
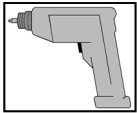
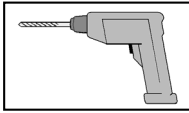
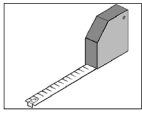
Stand: 1848

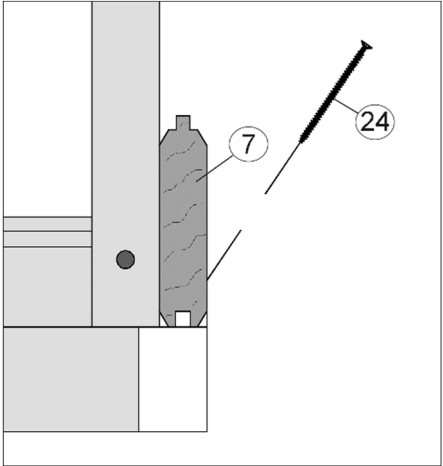
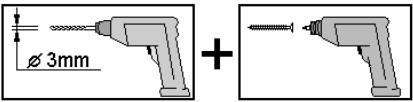
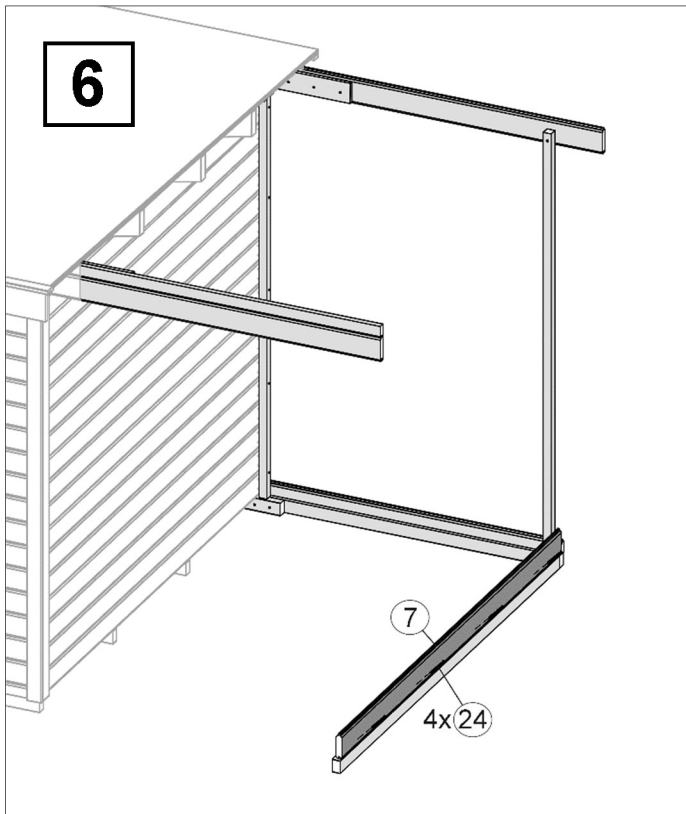
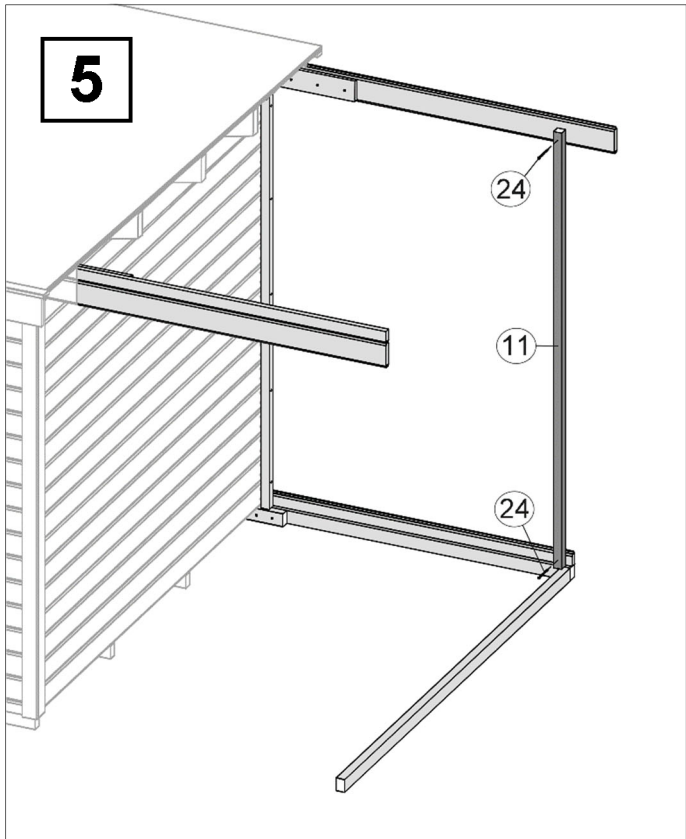
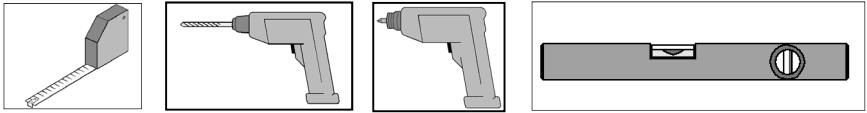
| Pos | Bild  | Land | Benennung | Abmessung                          | Stück    |          |
|-----|---|------|-----------|------------------------------------|----------|----------|
|     |   |      |           |                                    | 100.2021 | 100.2024 |
| ①   |    |      |           | 40 / 60 / 1500                     | 1        | 1        |
| ②   |    |      |           | 40 / 60 / 2050<br>40 / 60 / 2350   | 1<br>-   | -<br>1   |
| ③   |   |      |           | 40 / 60 / 200                      | 1        | 1        |
| ④   |  |      |           | 28 / 63 / 1500                     | 1        | 1        |
| ⑤   |  |      |           | 28 / 121 / 200                     | 42       | 42       |
| ⑥   |  |      |           | 28 / 121 / 1500                    | 10       | 10       |
| ⑦   |  |      |           | 28 / 121 / 2050<br>28 / 121 / 2350 | 9<br>-   | -<br>9   |
| ⑧   |  |      |           | 28 / 58 / 1500                     | 1        | 1        |

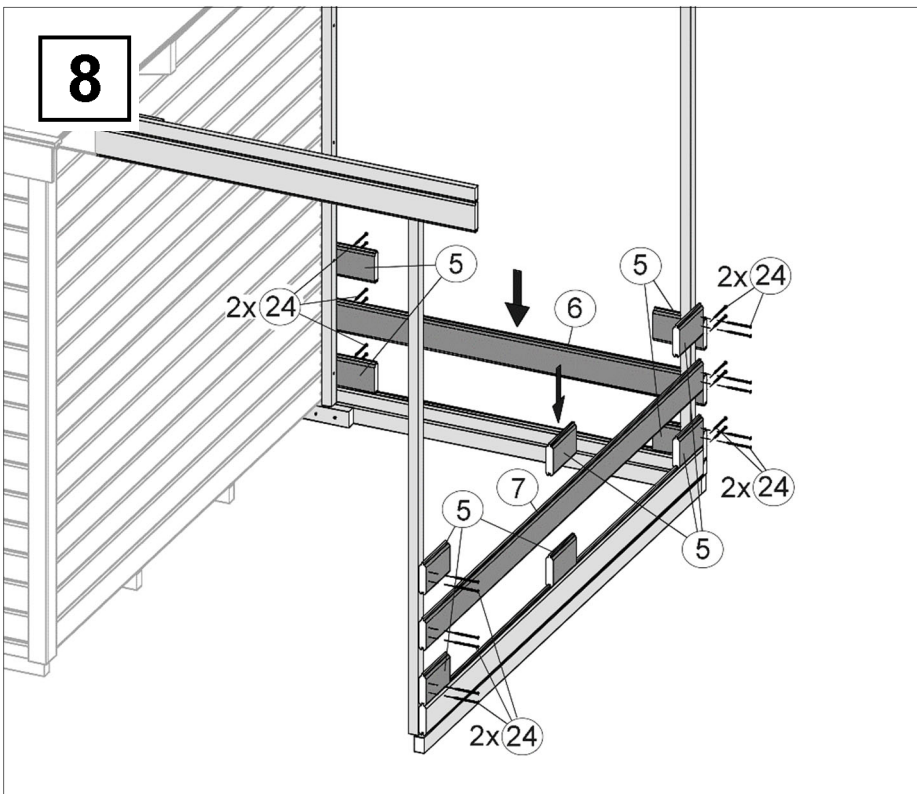
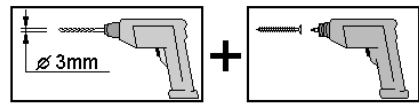
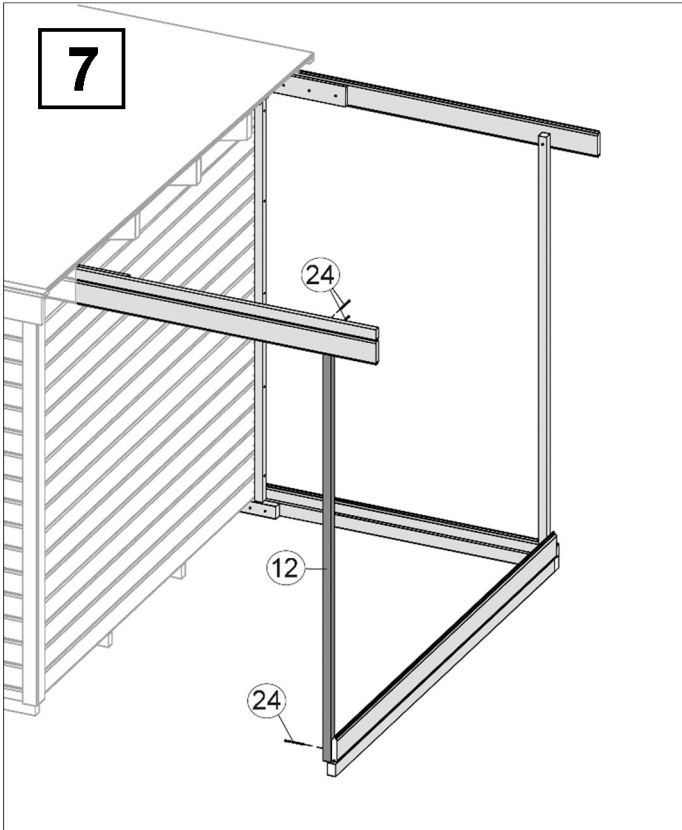
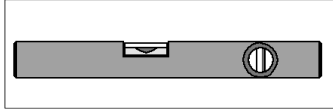
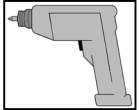
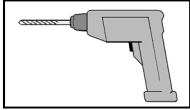
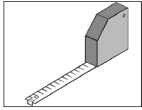
| Pos | Bild  | Land | Benennung | Abmessung                          | Stück    |          |
|-----|---|------|-----------|------------------------------------|----------|----------|
|     |   |      |           |                                    | 100.2021 | 100.2024 |
| 9   |    |      |           | 28 / 226 / 2050<br>28 / 226 / 2350 | 1<br>-   | -<br>1   |
| 10  |    |      |           | 45 / 146 / 1500                    | 2        | 3        |
| 11  |   |      |           | 40 / 40 / 2048                     | 2        | 2        |
| 12  |  |      |           | 40 / 40 / 2128                     | 2        | 2        |
| 13  |  |      |           | 18,5 / 70 / 2153                   | 4        | 4        |
| 14  |  |      |           | 15 / 45 / 1775                     | 2        | 2        |
| 15  |  |      |           | 18,5 / 121 / 2770                  | 14       | -        |
| 16  |  |      |           | 18,5 / 146 / 1500                  | 1        | 1        |
| 17  |  |      |           | 18,5 / 58 / 1500                   | 1        | 1        |

| Pos                    | Bild  | Land | Benennung | Abmessung        | Stück    |          |
|------------------------|---|------|-----------|------------------|----------|----------|
|                        |   |      |           |                  | 100.2021 | 100.2024 |
| 18                     |    |      |           | 18,5 / 146 / 500 | 7        | 7        |
| 19                     |    |      |           | 18,5 / 96 / 500  | 1        | 1        |
| 20                     |    |      |           | 10m <sup>2</sup> | 1        | 1        |
| <b>Montagematerial</b> |   |      |           |                  |          |          |
| 21                     |  |      |           | 5,0 x 100        | 5        | 5        |
| 22                     |  |      |           | 5,0 x 80         | 6        | 6        |
| 23                     |  |      |           | 4,5 x 70         | 5        | 5        |
| 24                     |  |      |           | 4,0 x 60         | 210      | 210      |
| 25                     |  |      |           | 4,0 x 40         | 85       | 85       |
| 26                     |  |      |           | 3,5 x 35         | 50       | 50       |
| 27                     |  |      |           | 3,0 x 30         | 10       | 10       |
| 28                     |  |      |           | 2,2 x 55         | 180      | 180      |
| 29                     |  |      |           | 2,0 x 16         | 160      | 160      |

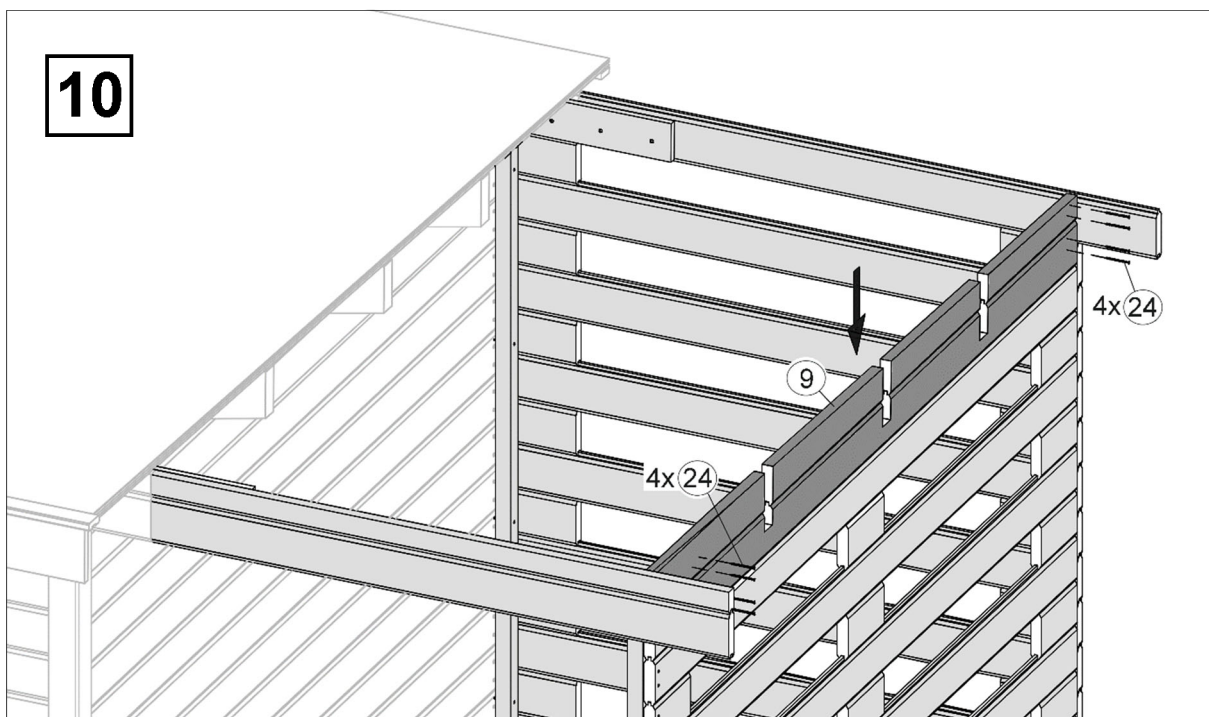
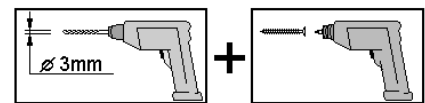
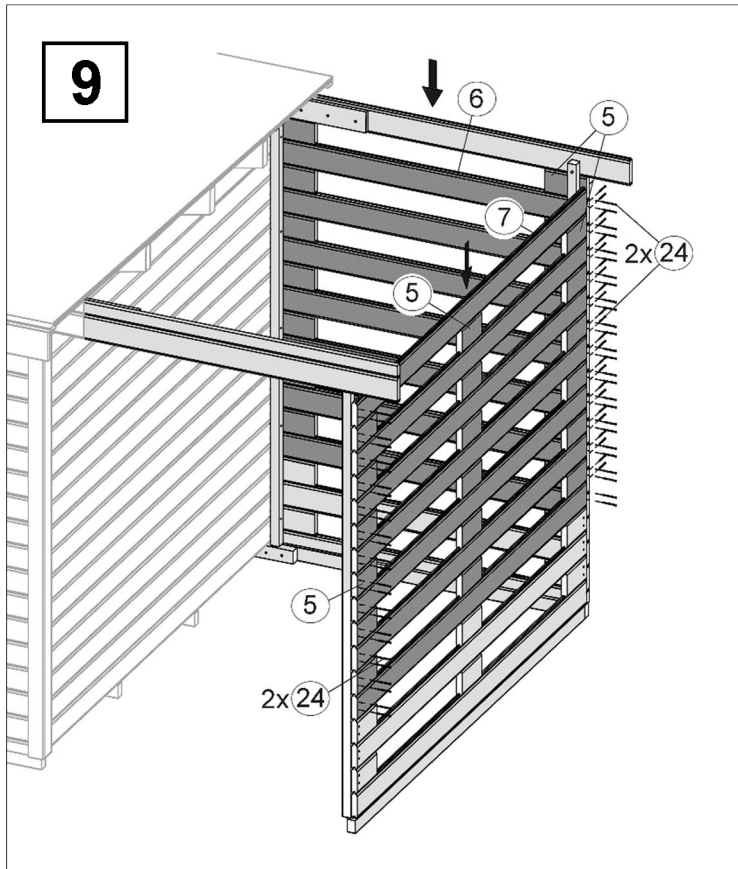
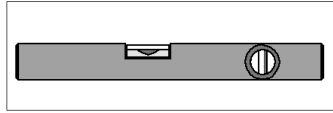
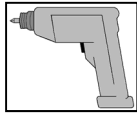
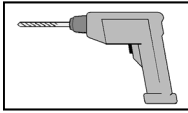
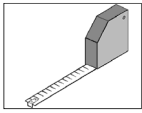


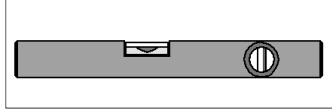
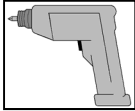
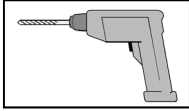
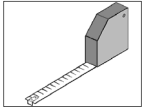




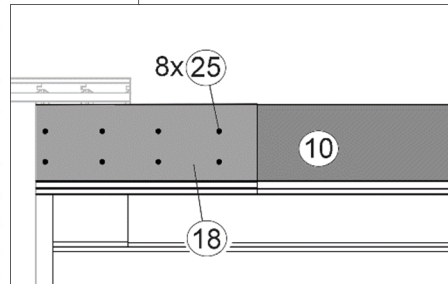
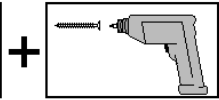
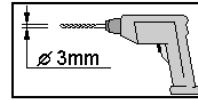
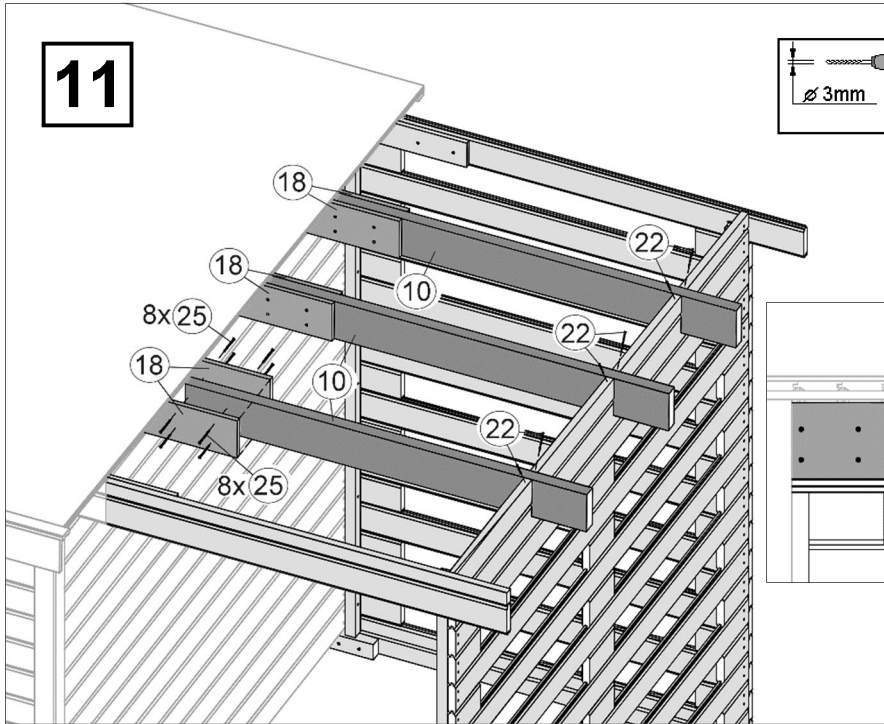




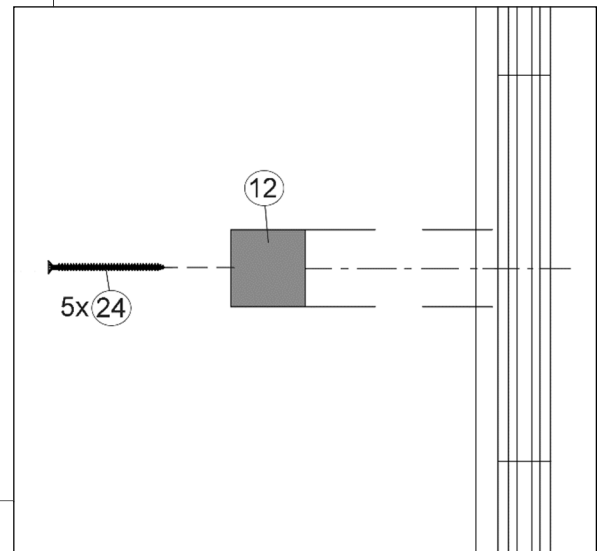
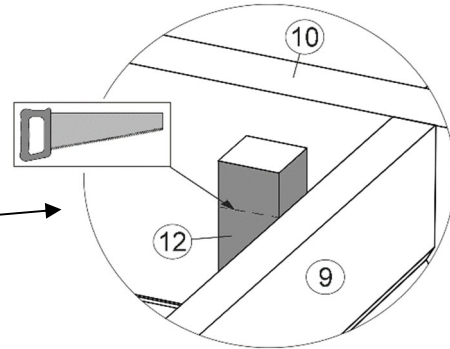
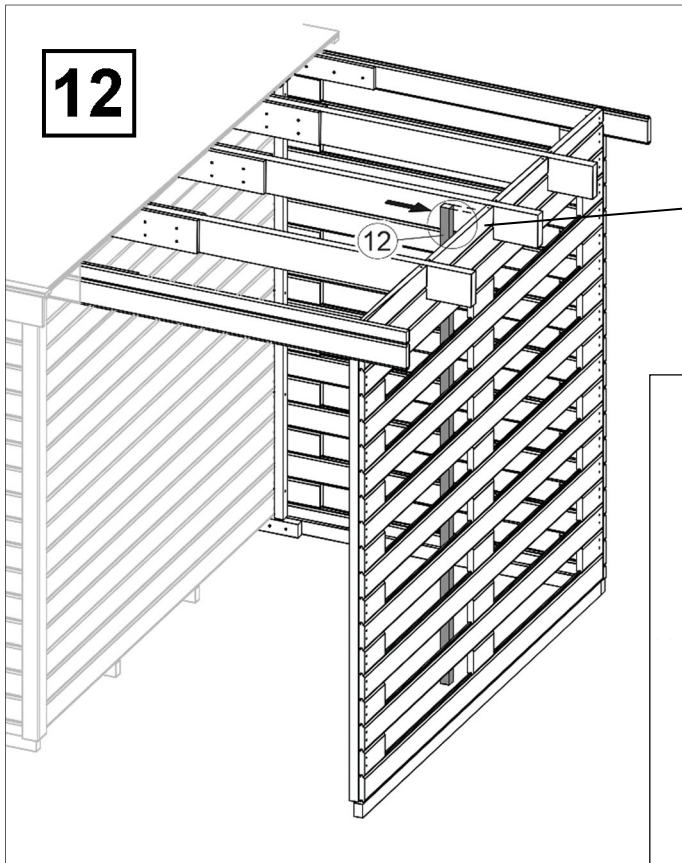


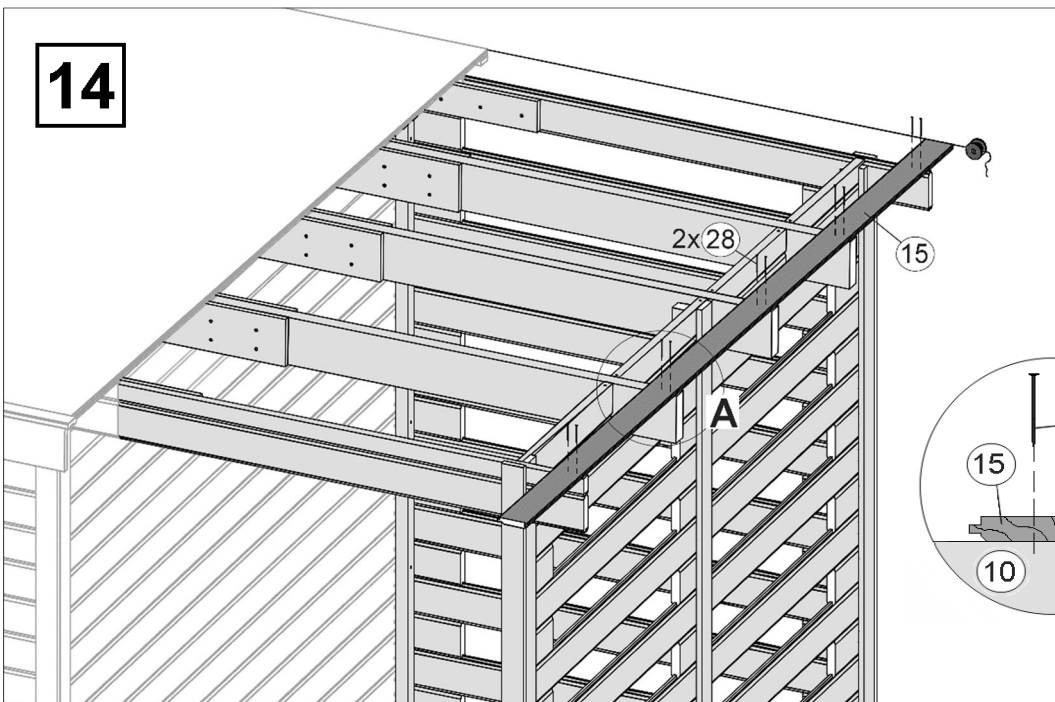
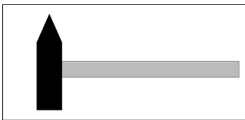
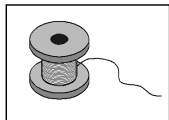
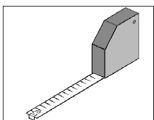
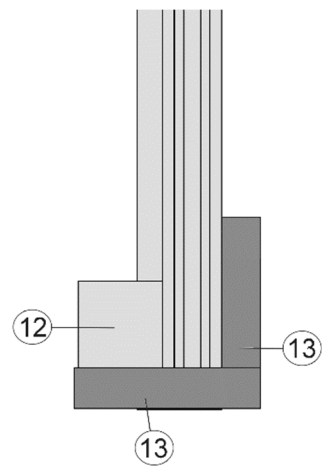
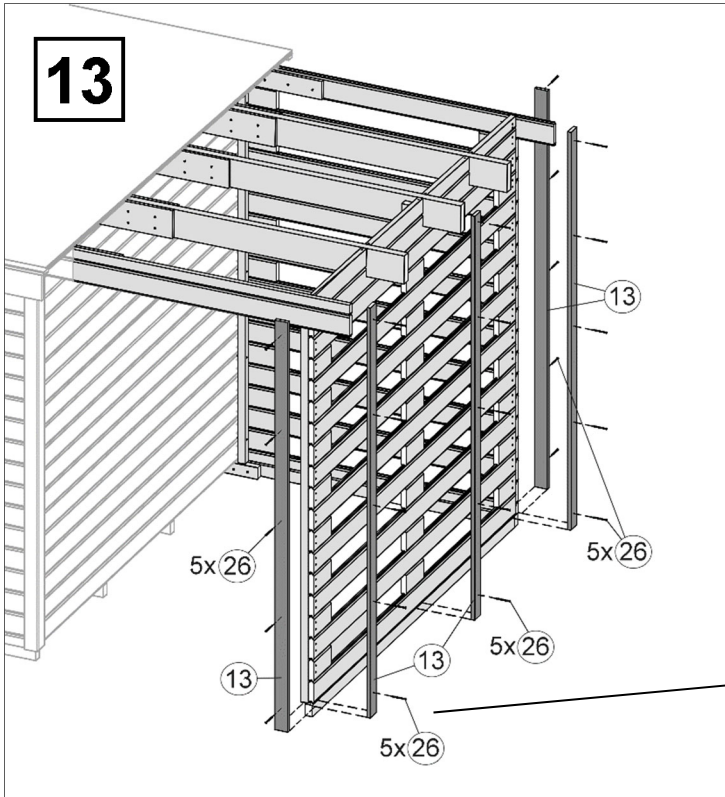
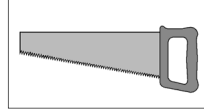
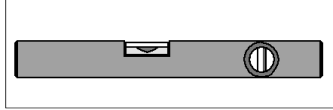
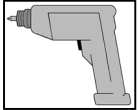
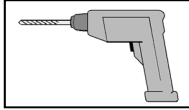
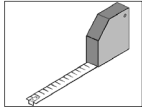


**11**

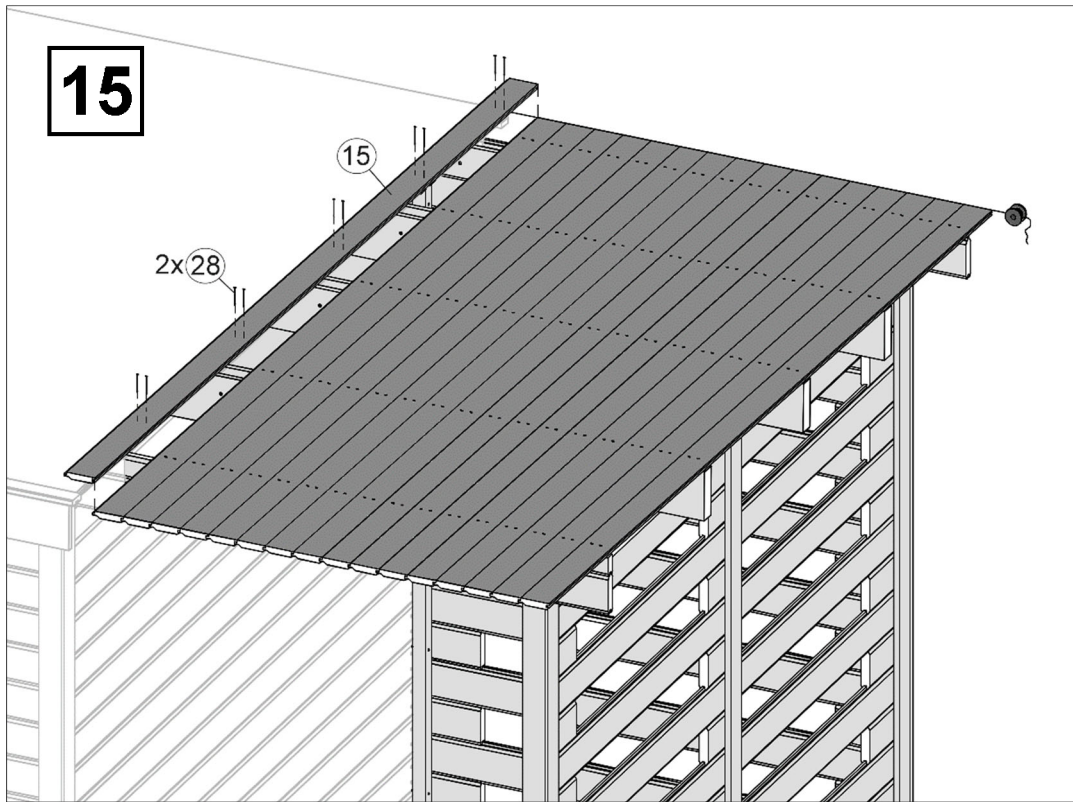
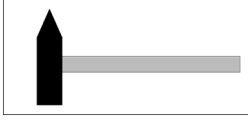
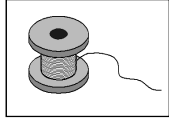
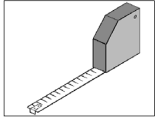


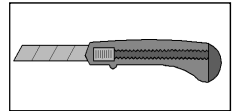
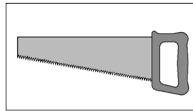
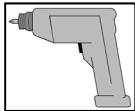
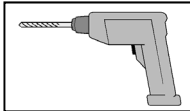
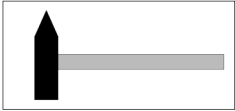
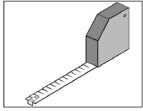
**12**



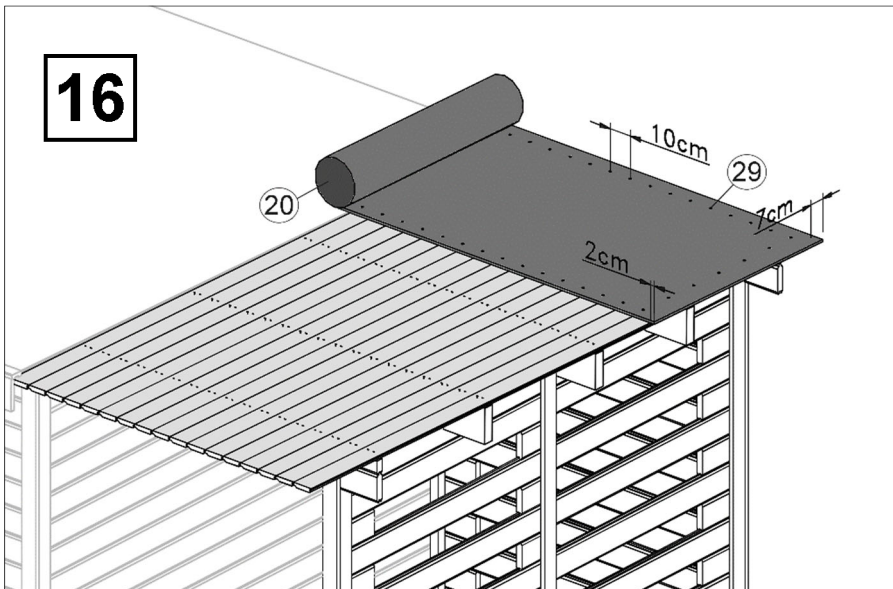




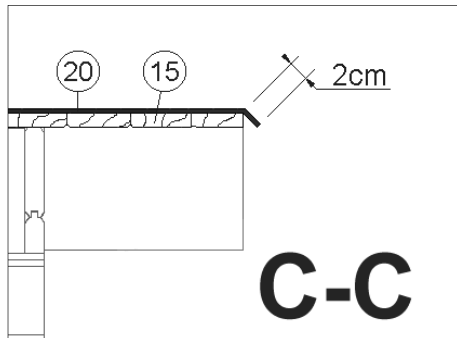
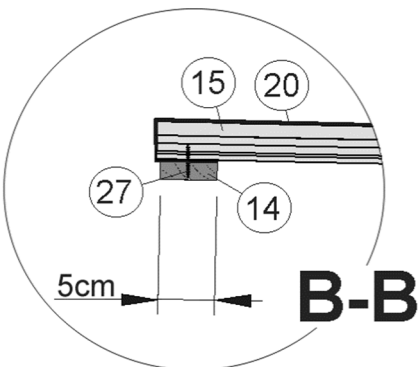
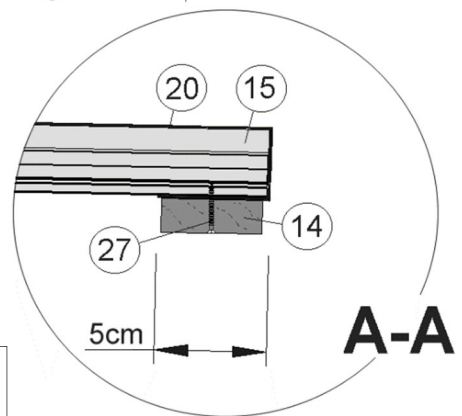
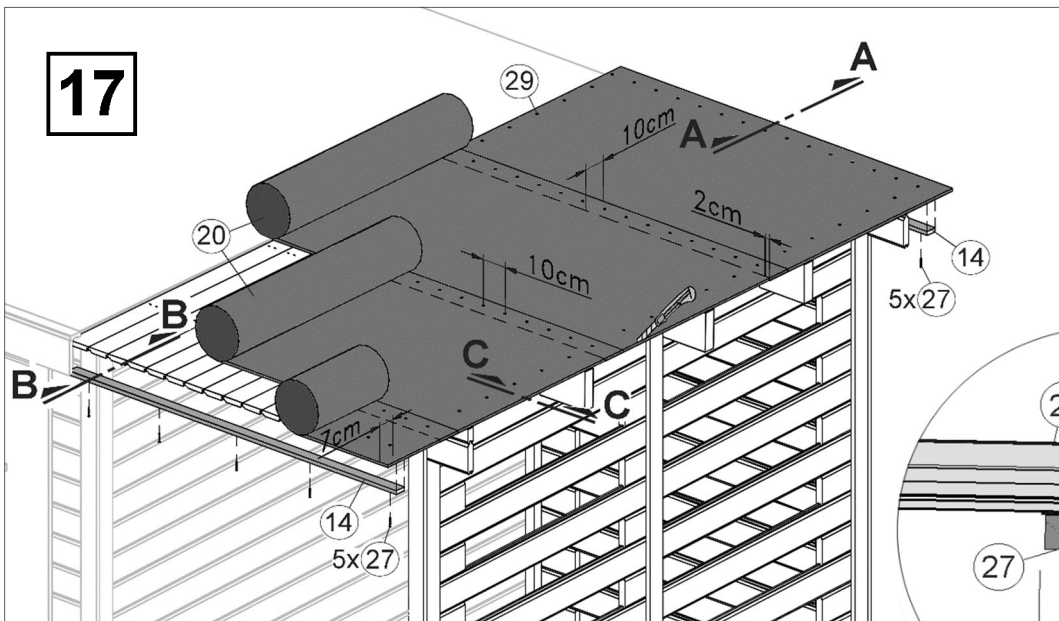


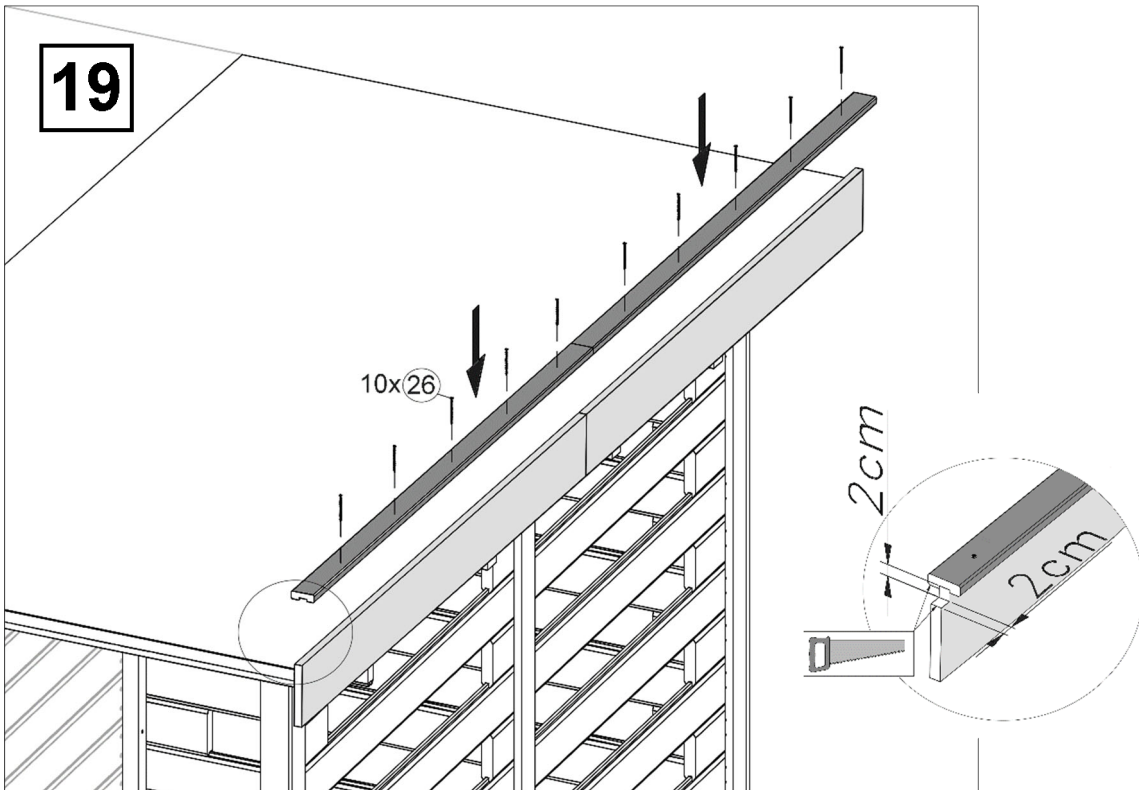
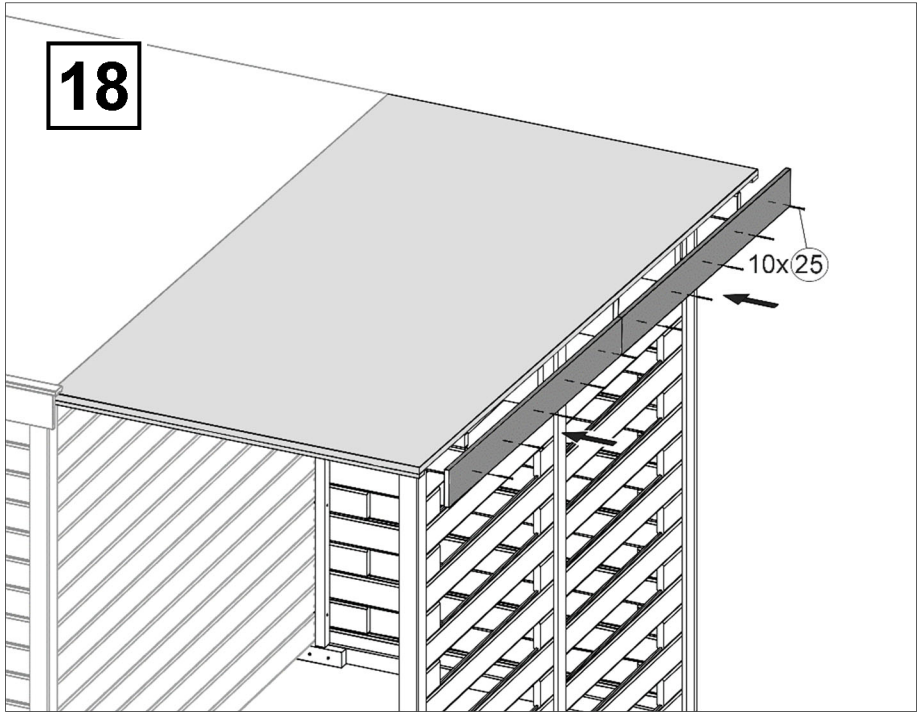
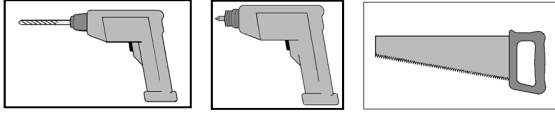


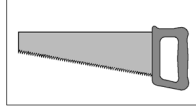
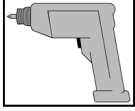
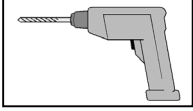
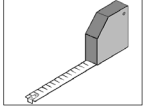
**16**



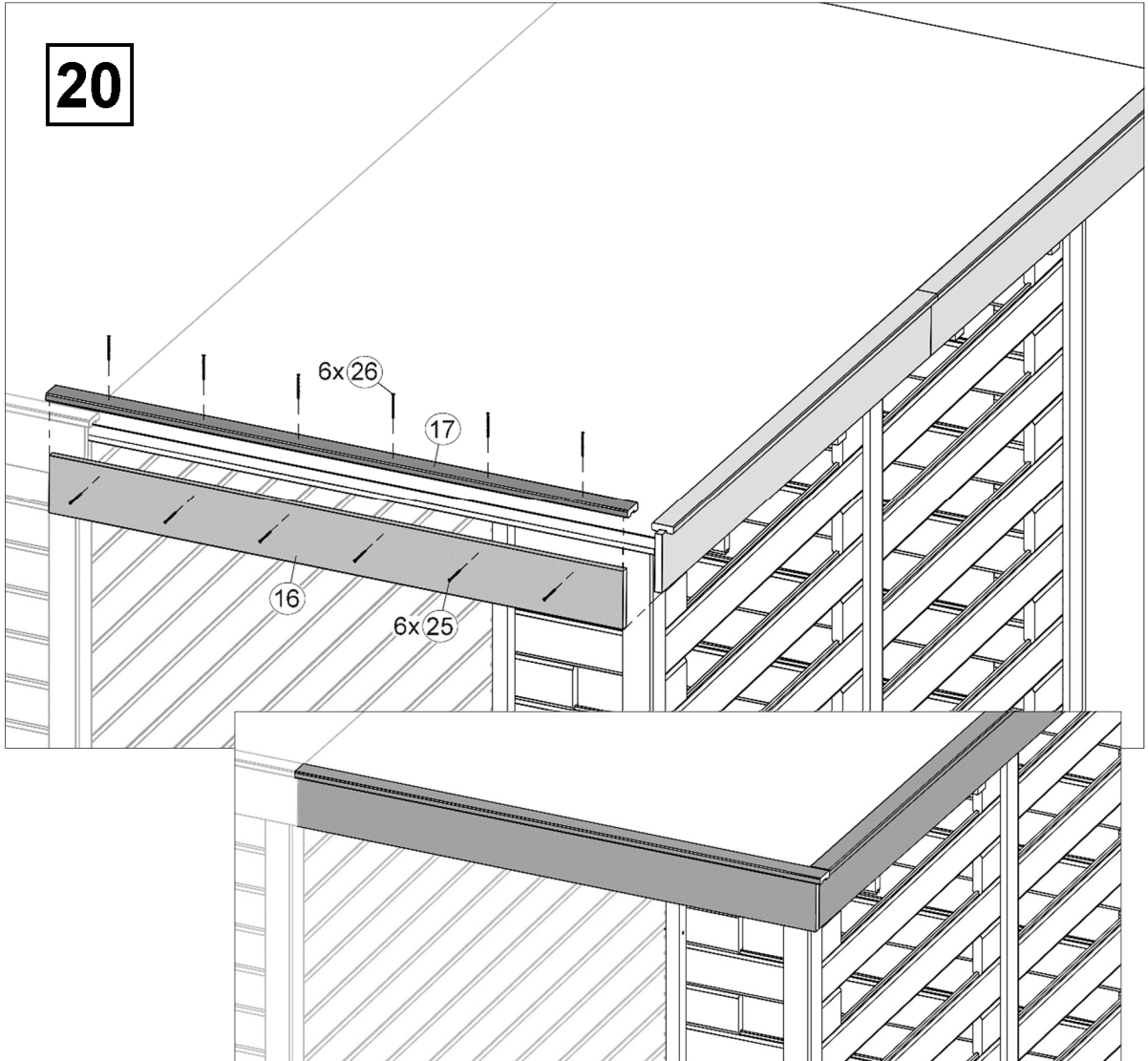
**17**







**20**





weka Holzbau GmbH,  
Johannesstr. 16  
D-17034 Neubrandenburg  
Tel.: 0395 42908-0  
Fax : 0395 42908-83  
Email : [Info@weka-Holzbau.com](mailto:Info@weka-Holzbau.com)

**MA Art.-Nr.: 800.0286.00.95**