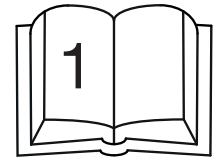




www.weka-holzbau.com



Flachdach - Gartenlaube



263.3030.4X000
263.3024.4X000

Montage-, Bedienungs- und Wartungsanleitung



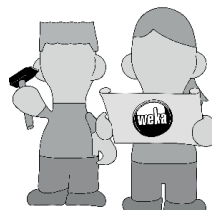
800.0286.17.90

+




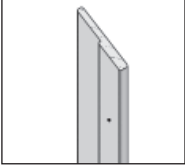
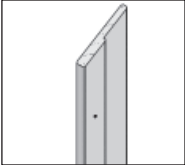
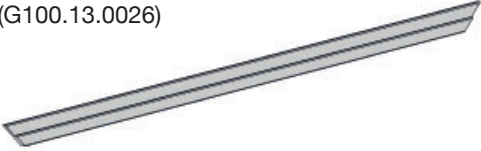
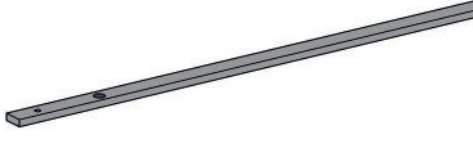


800.0286.20.02


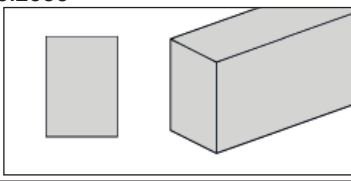
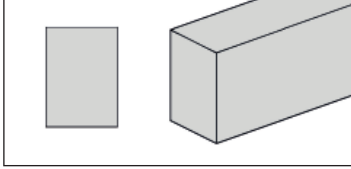
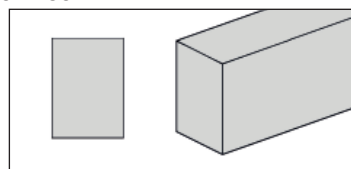
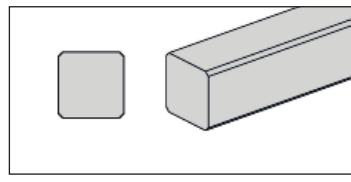
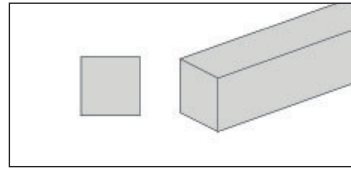
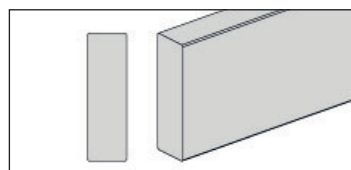
=

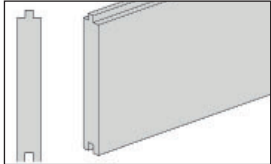
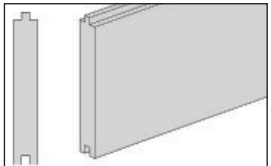
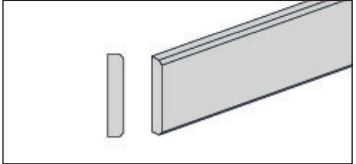
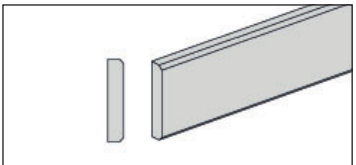
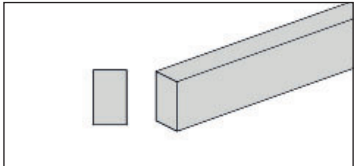
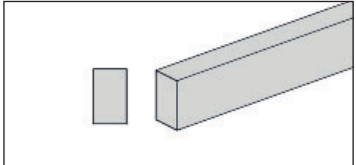
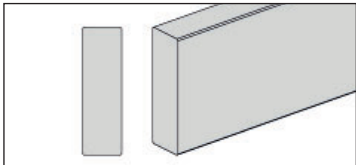


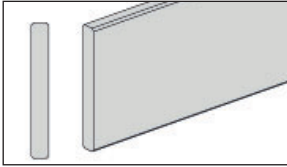
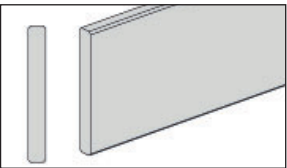
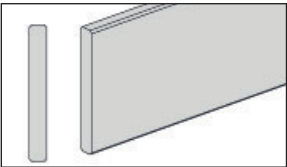
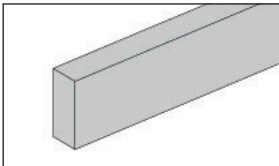
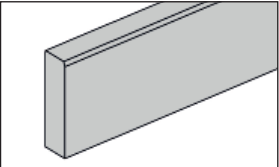
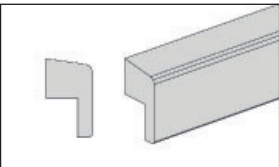
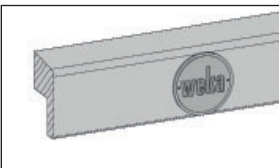
Jetzt
scannen
und noch
mehr entdecken!




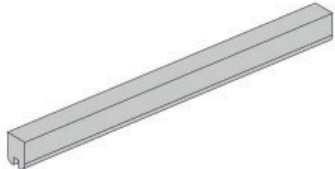
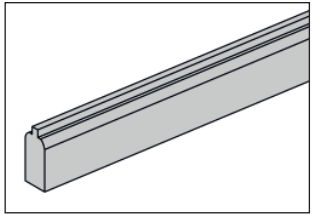
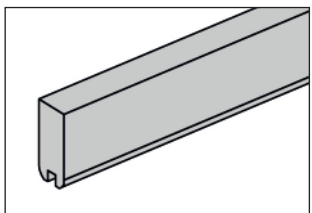
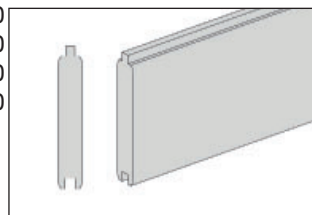


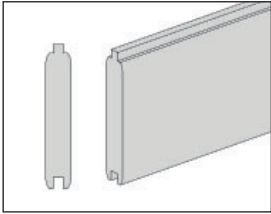
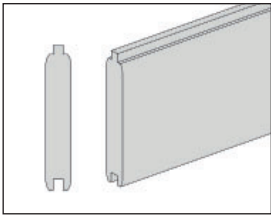
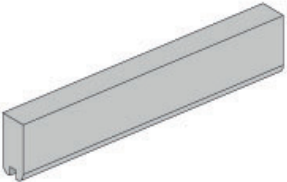
Pos	Bild	Abmessung (mm)	Anzahl (Stück)			
			263.3024.40000	263.3024.4X000	263.3030.40000	263.3030.4X000
①	A100.12.3230 A100.12.3270 	62/1820/1810	1	1	1	1
②A	E100.12.0001 (G100.13.0024) 	18,5/70/1815	1	1	1	1
②B	E100.12.0001 (G100.13.0025) 	18,5/70/1815	1	1	1	1
②C	E100.12.0001 (G100.13.0026) 	18,5/70/1820	1	1	1	1
③	K127.1517.0001 	5/15/1750	1	1	1	1
④	A100.12.1830 A100.12.1870 	46/490/1810	2	2	2	2
⑤A	E100.12.0007 (G100.13.0066) 	18,5/70/1810	4	4	4	4

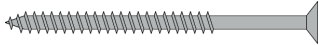
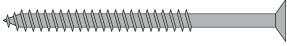


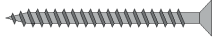

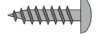

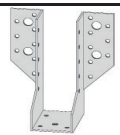
Pos	Bild	Abmessung (mm)	Anzahl (Stück)			
			263.3024.40000	263.3024.4X000	263.3030.40000	263.3030.4X000
5B	E100.12.0007 (G100.13.0065) 	18,5/70/490	4	4	4	4
6	R002.0640.2950 	50/70/2950	1	1	3	3
7	R002.0640.2350 	50/70/2350	2	2	-	-
8	R002.0640.1865 R002.0640.2480 	50/70/1865 50/70/2480	5 -	5 -	- 5	- 5
9	R002.0225.2290 	40/40/2290	10	10	10	10
10	R002.0660.2950 	40/40/2950	3	3	3	3
11	R002.0350.2950 	45/146/2950	2	2	3	3


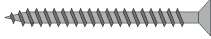


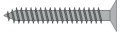

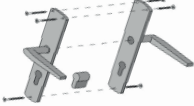
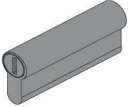
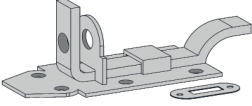
Pos	Bild	Abmessung (mm)	Anzahl (Stück)			
			263.3024.40000	263.3024.4X000	263.3030.40000	263.3030.4X000
12	R002.0087.2944 	18,5/120/2944	17	17	22	22
13	R002.0087.2444 R002.0087.3080 	18,5/120/2444 18,5/120/3080	27 -	27 -	- 27	- 27
14	R010.0400.2040 	11/58/2300	-	14	-	14
15	R002.0400.2040 	11/58/2300	16	2	16	2
16	R002.0500.2000 	15/25/2000	6	6	6	6
17	R002.0500.1400 	15/25/1400	2	2	2	2
18	R002.0530.2300 	15/45/2300	6	6	8	8

Pos	Bild	Abmessung (mm)	Anzahl (Stück)			
			263.3024.40000	263.3024.4X000	263.3030.40000	263.3030.4X000
19	R002.0560.3140 R010.0560.3140 	18,5/146/3140	1	1	3	3
20	R002.0560.2250 R010.0560.2250 	18,5/146/2250	2	2	2	2
21	R002.0560.2480  R010.0560.2750	18,5/146/2480 18,5/146/2750	2 -	- 2	- -	- -
22	G263.01.0004 	28/65/1790	2	2	2	2
23	G263.01.0005 G263.208.0005 G263.211.0005 G263.212.0005 	28/100/1790	2	2	2	2
24	R002.0883.0990 R010.0883.0990 	35/60/990	1	1	1	1
25	B100.03.0062 B100.03.1062 	35/60/1850	1	1	1	1

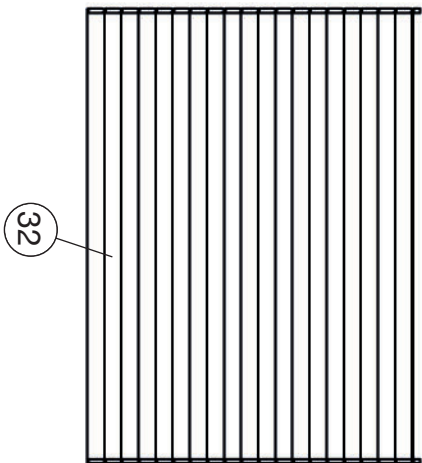
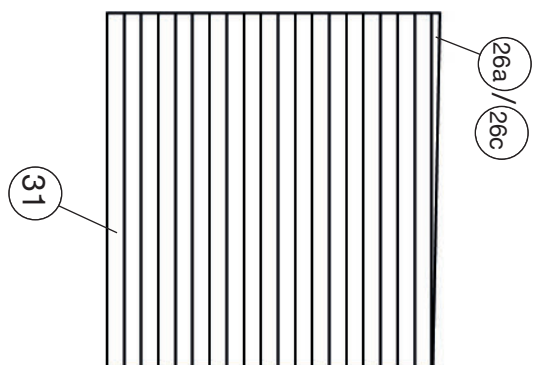
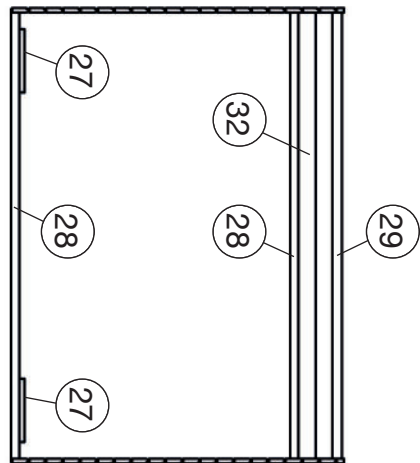
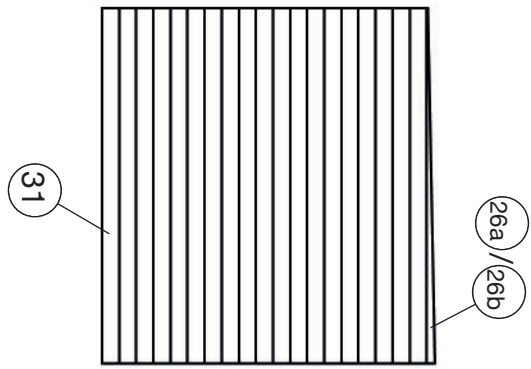
Pos	Bild	Abmessung (mm)	Anzahl (Stück)			
			263.3024.40000	263.3024.4X000	263.3030.40000	263.3030.4X000
26a	G213.01.0001 	28/54/2350	2	-	-	-
	G213.01.0002	28/54/2950	-	-	2	-
26b	G213.2xx.0001 	28/54/2350	-	1	-	-
	G213.2xx.0003	28/54/2950	-	-	-	1
26c	G213.2xx.0002 	28/54/2350	-	1	-	-
	G213.2xx.0004	28/54/2950	-	-	-	1
27	G100.01.0024 	28/35/420	2	2	2	2
28	G122.01.0006 G126.208.0037 G126.211.0037 G126.212.0037 	28/63/2950	2	2	2	2
29	G263.01.0006 G263.208.0006 G263.211.0006 G263.212.0006 	28/63/2950	1	1	1	1
30	R002.0015.0420 R208.0015.0420 R211.0015.0420 R212.0015.0420 	21/121/420	64	64	64	64

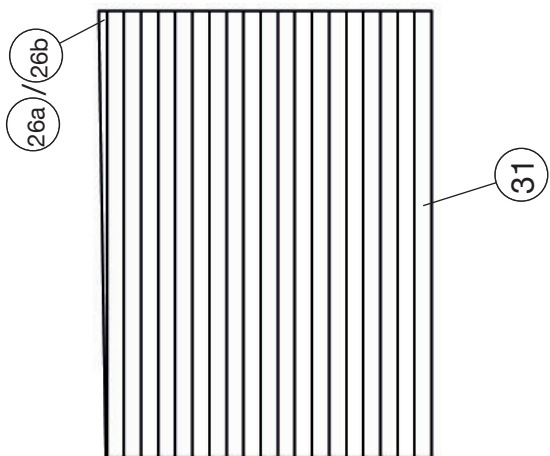
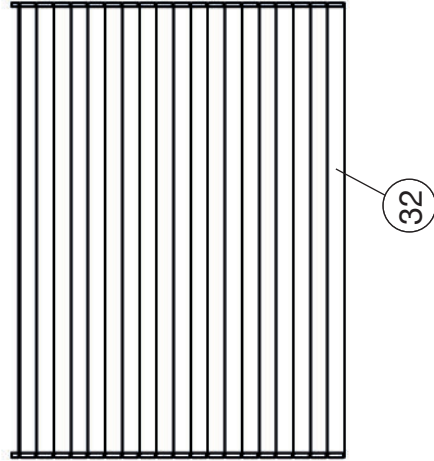
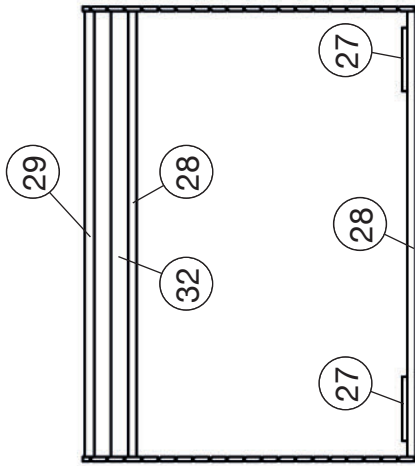
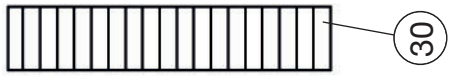
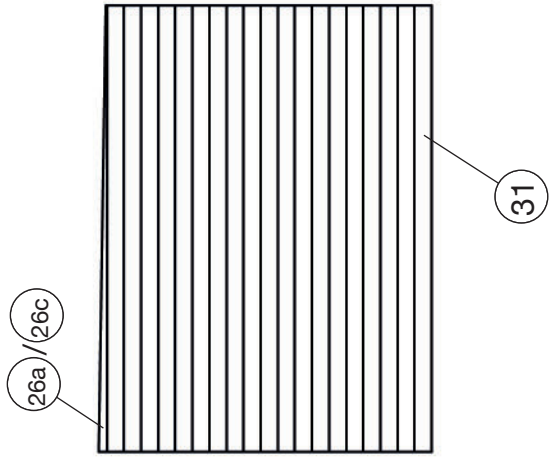
Pos	Bild	Abmessung (mm)	Anzahl (Stück)			
			263.3024.40000	263.3024.4X000	263.3030.40000	263.3030.4X000
31	R002.0035.2350 R208.0035.2350 R211.0035.2350 R212.0035.2350 R002.0035.2950 R208.0035.2950 R211.0035.2950 R212.0035.2950 	28/121/2350 28/121/2950	38 -	38 -	- 38	- 38
32	R002.0035.2950 R208.0035.2950 R211.0035.2950 R212.0035.2950 	28/121/2950	21	21	21	21
33	G105.01.0006 	28/60/300	3	3	3	3

M263.001 M263.002		Abmessung (mm)	Anzahl (Stück)	
Pos	Bild		263.3024.4X000	263.3030.4X000
M1	K001.1250.0004 	5,0 x 120	10	10
M2	K001.8050.0004 	5,0 x 80	30	30
M3	K001.6040.0004 	4,0 X 60	150	125
M4	K001.5040.0004 	4,0 X 50	700	650
M5	K001.4040.0004 	4,0 X 40	100	100
M6	K001.3030.0004 	3,0 x 30	200	180
M7	K002.2050.0004 	5,0 x 20	90	130
M8	K010.5022.0001 	2,2 x 55	700	700
M9	K074.4513.0000 		4	6

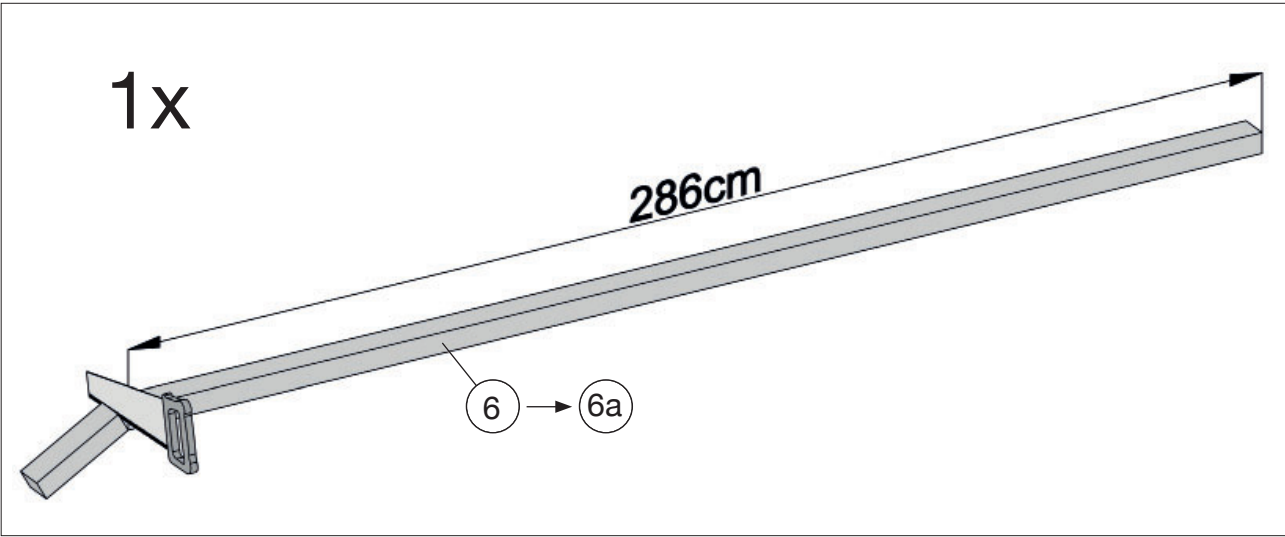
M100.045		Abmessung (mm)	Anzahl (Stück)	
			263.3024.4X000	263.3030.4X000
Pos	Bild			
M10	K001.6040.0004 	4,0 x 60	10	10
M11	K001.4040.0004 	4,0 x 40	20	20
M12	K001.3535.0004 	3,5 x 35	7	7
M13	K001.3030.0004 	3,0 X 30	4	4
M14	K001.1635.0004 	3,5 x16	16	16
M15	K010.3016.0001 	1,6 X 30	16	16
M16	K045.1270.0001 		1	1
M17	K036.3135.0001 		1	1
M18	K050.5010.0001 		2	2

WA 263.3024.





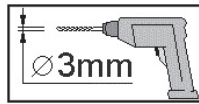
1



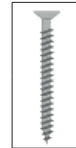
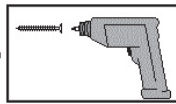
2



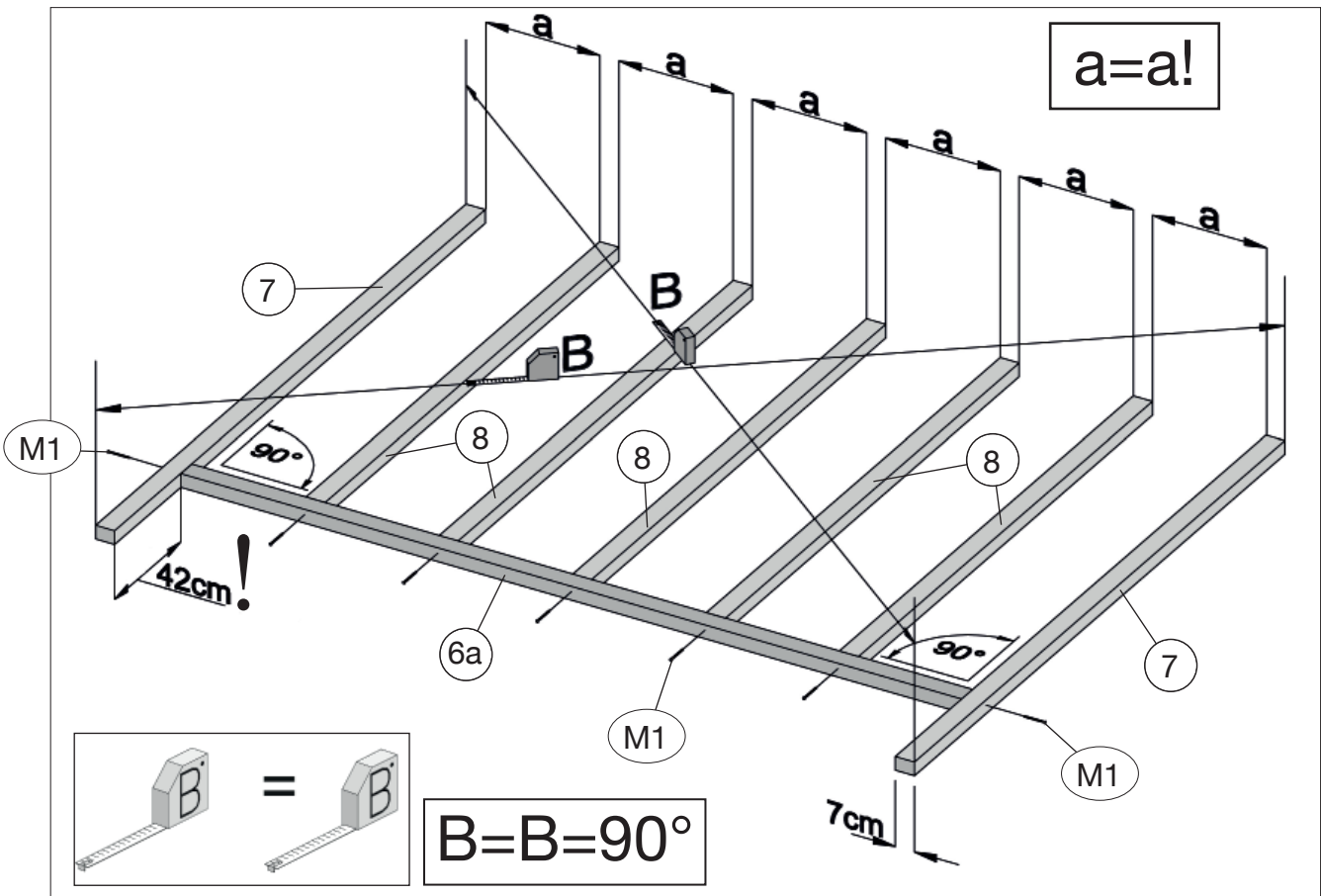
263.3024.



+



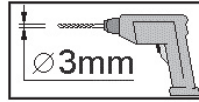
M1 5,0 x 120



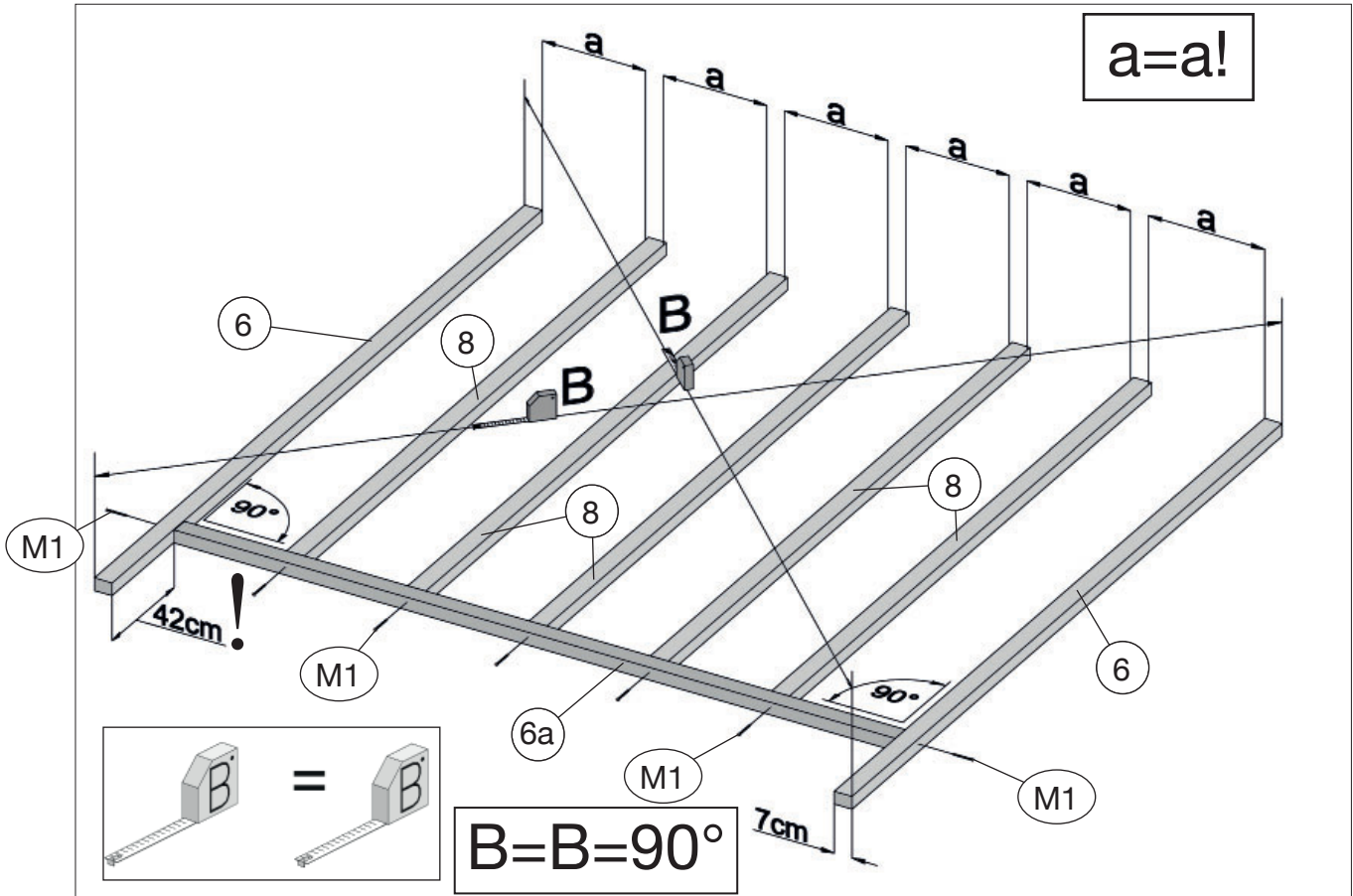
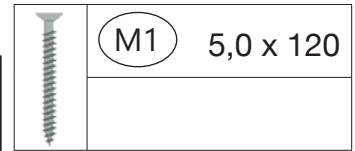
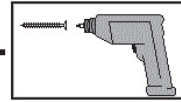
2




263.3030.

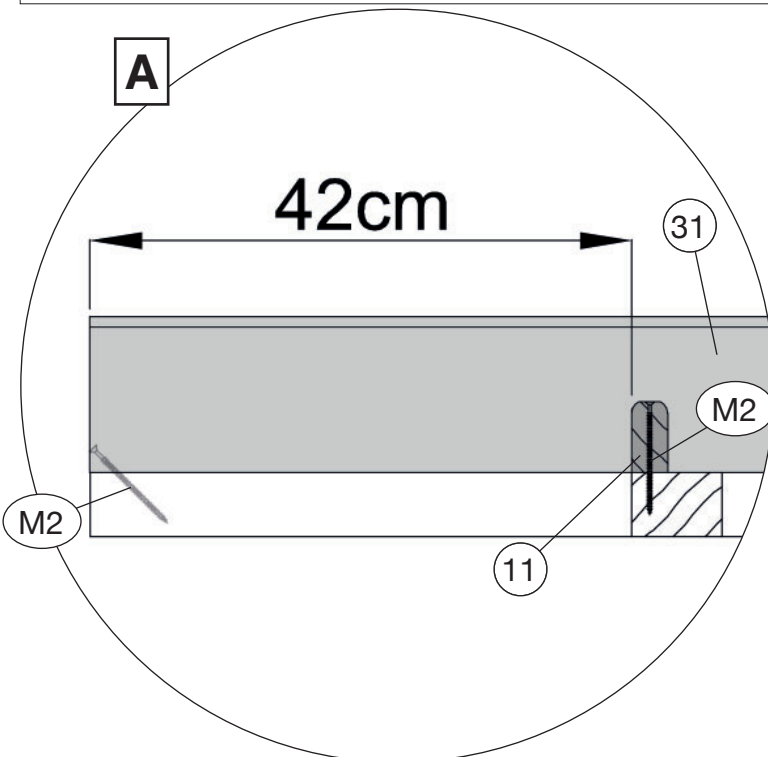
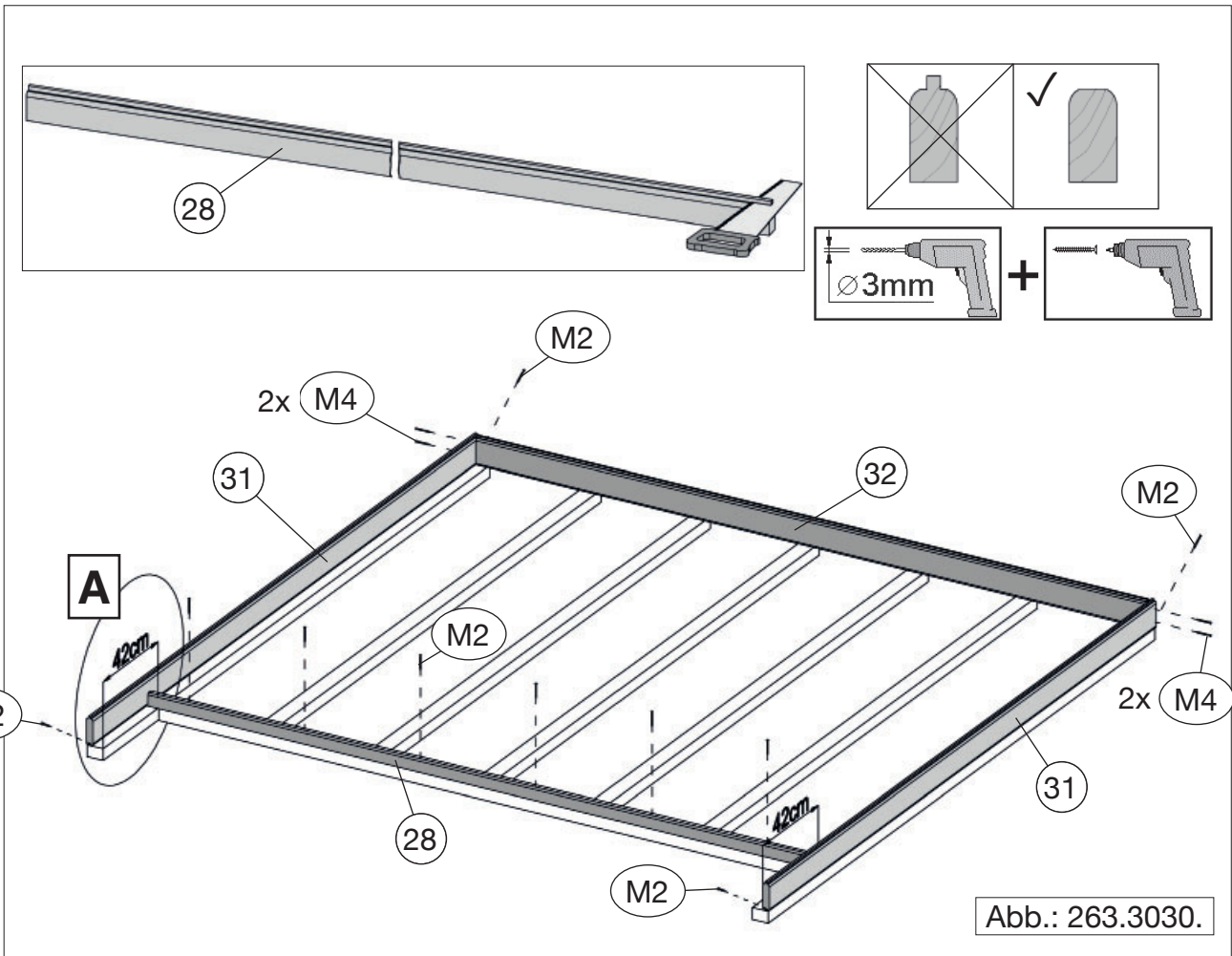


+



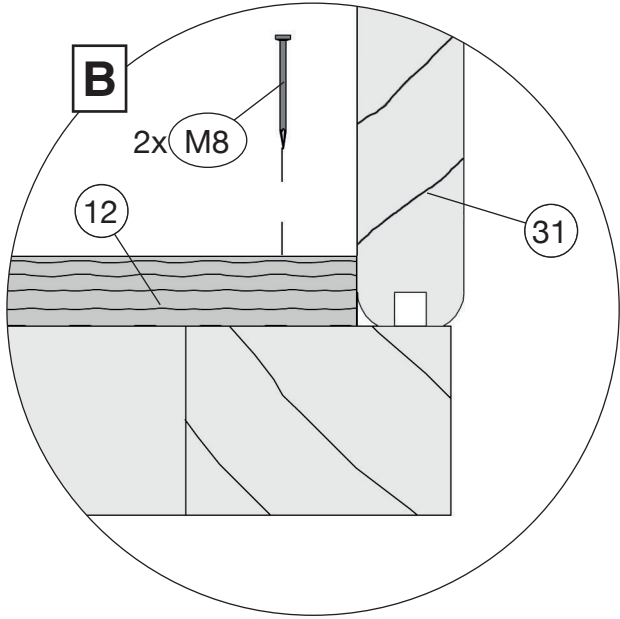
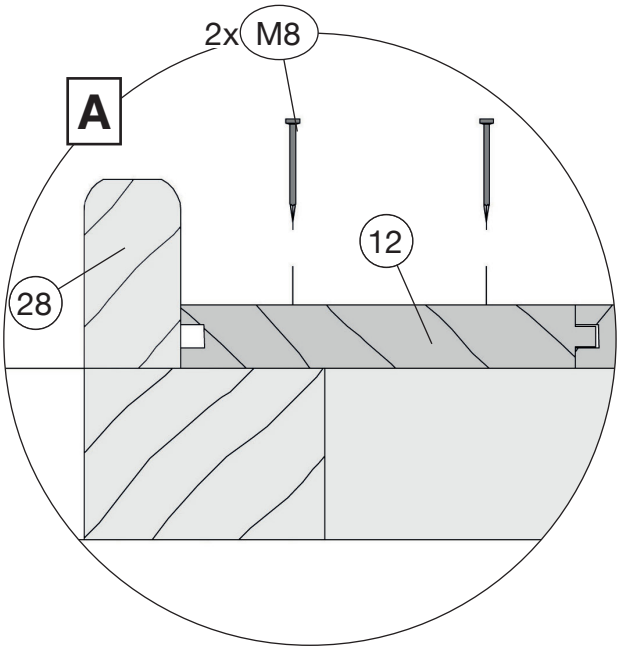
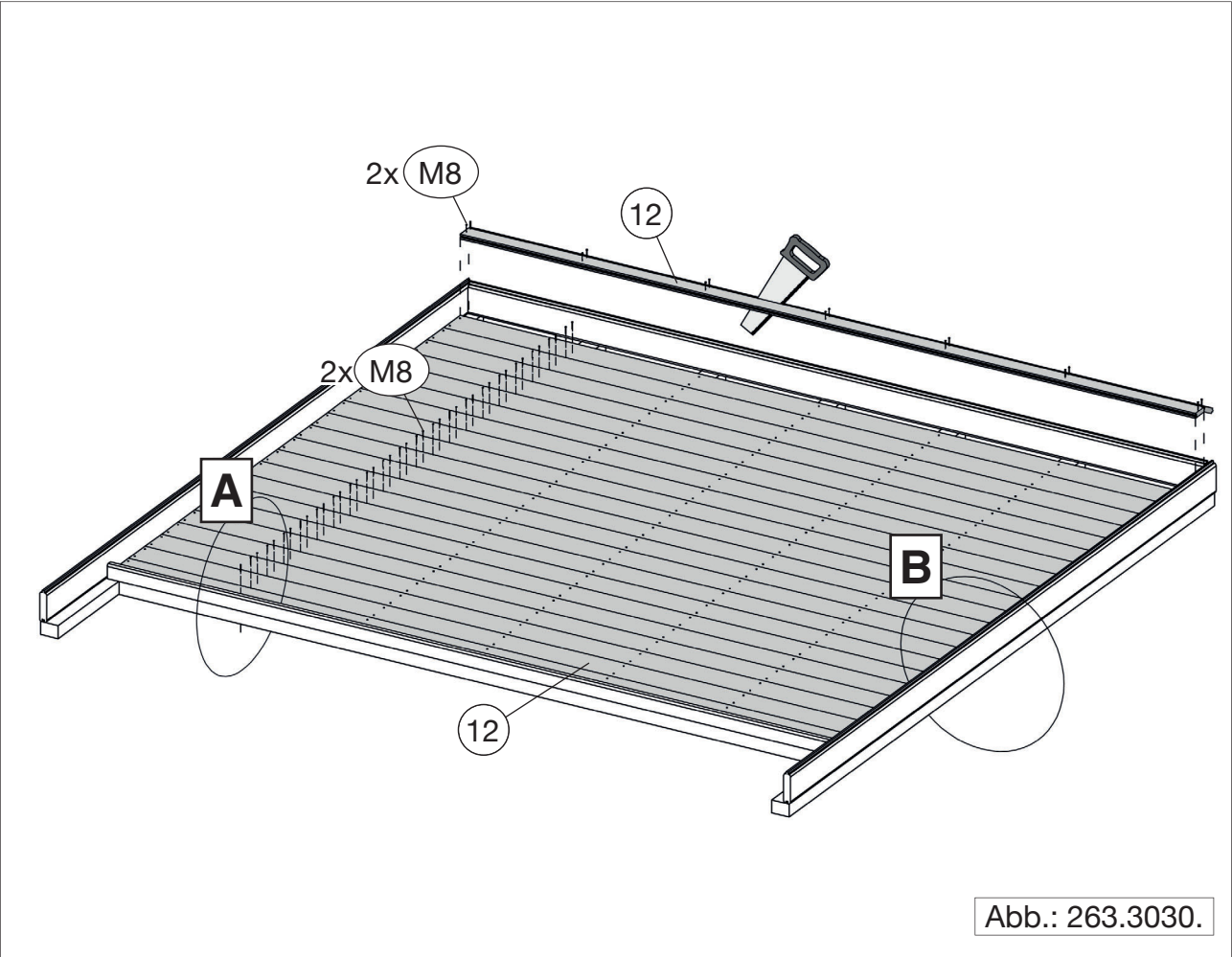
3


	M2	5,0 x 80
	M4	4,0 x 50



4

	M8 2,2 x 55



	M4	4,0 x 50
--	----	----------

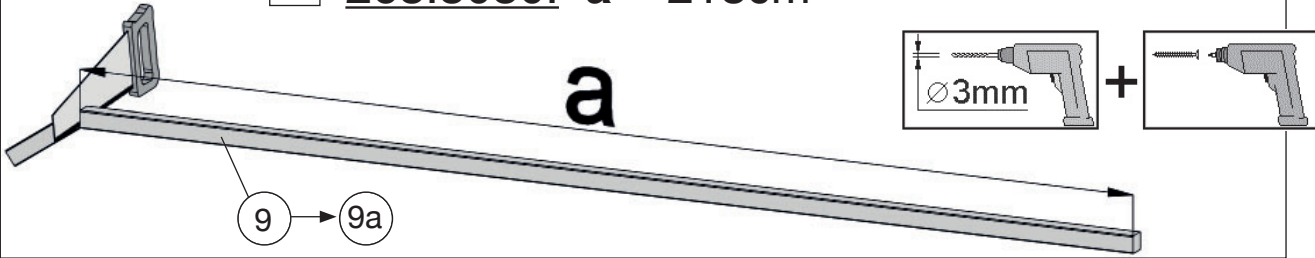
5.1

4x

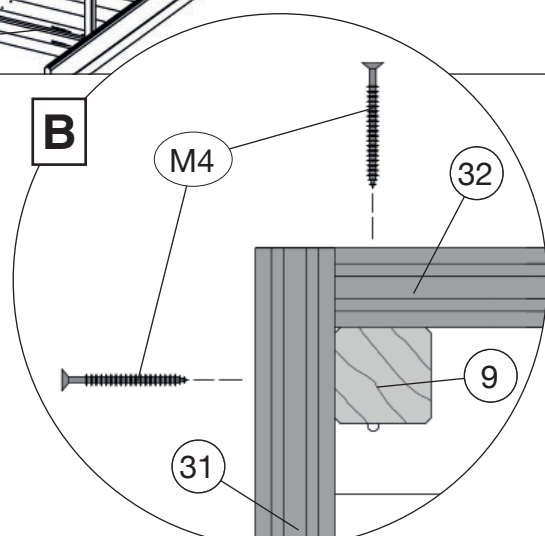
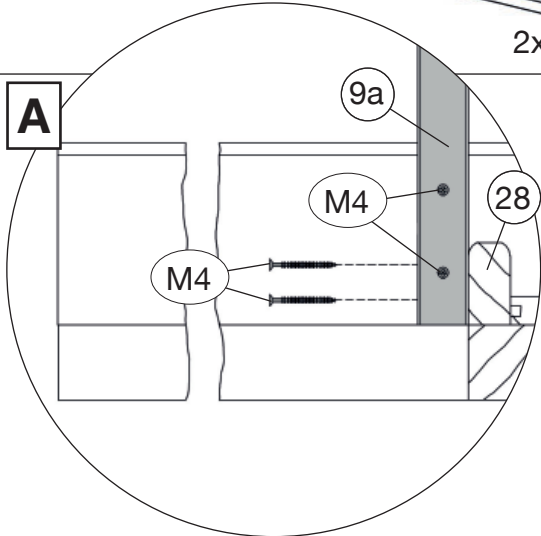
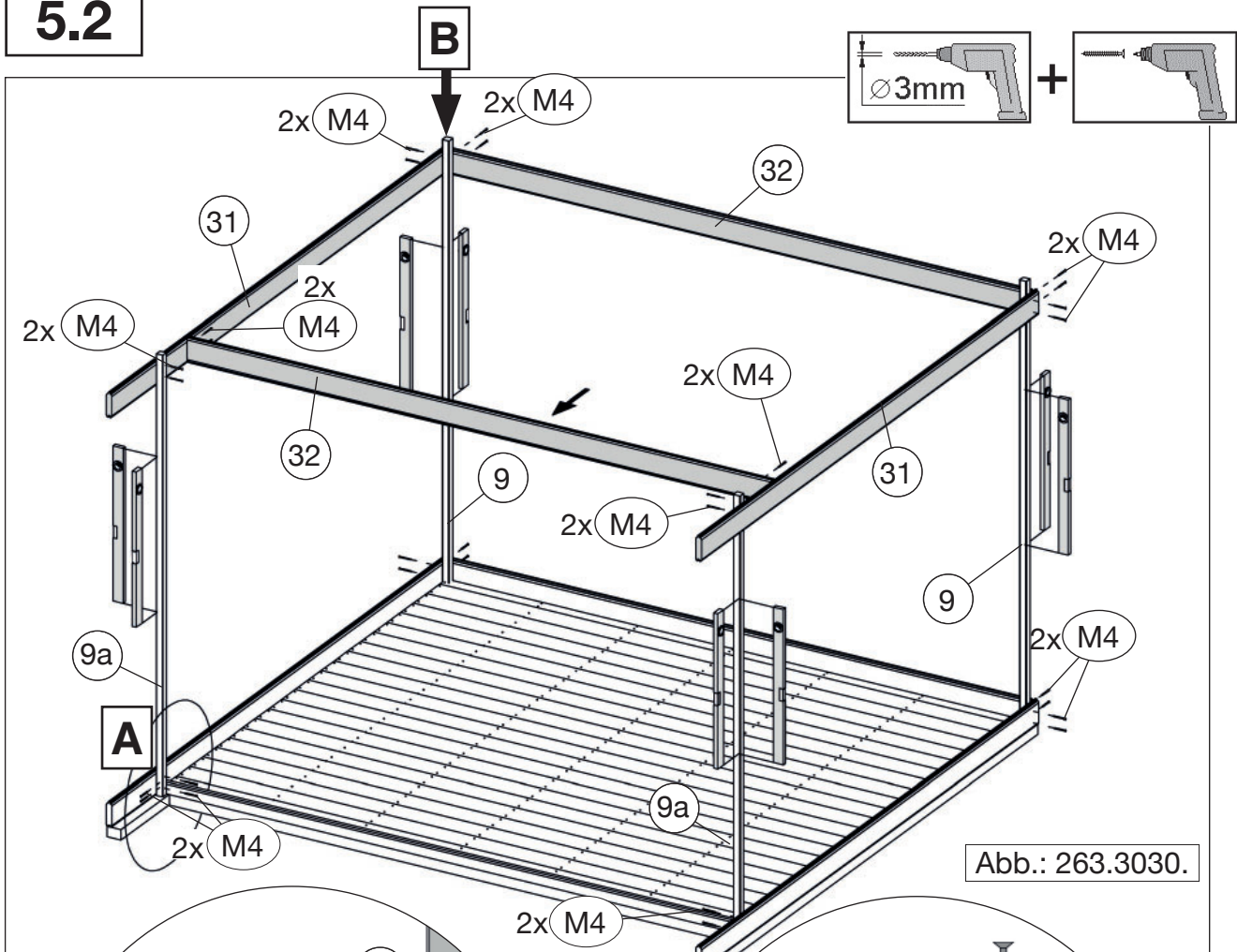
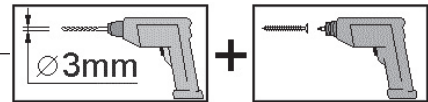


263.3024. a = 212cm



263.3030. a = 213cm



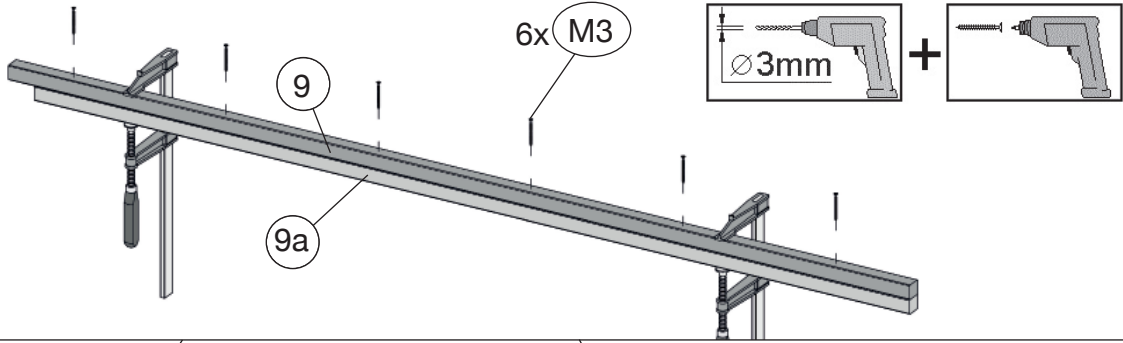
5.2



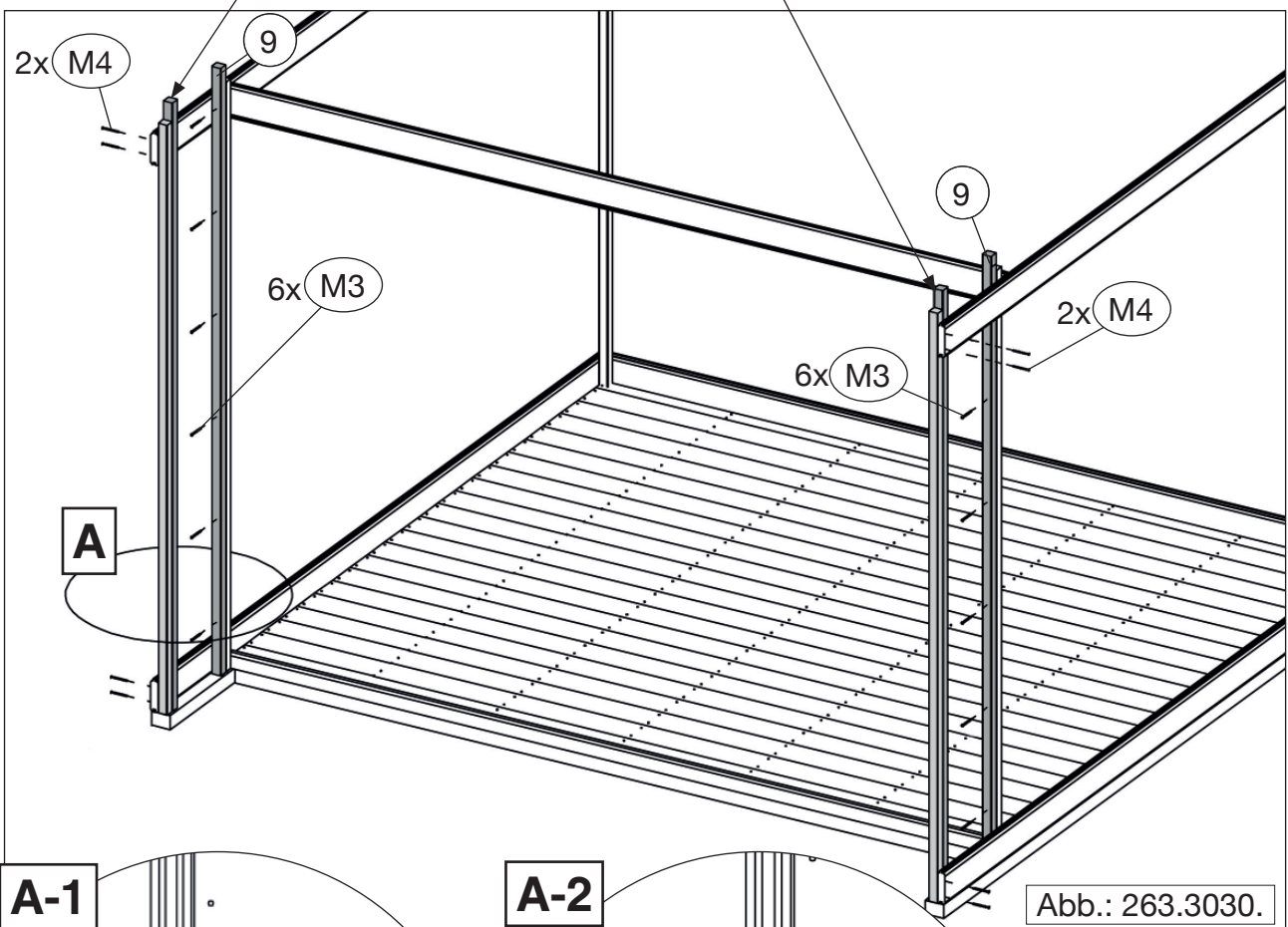
6.1

	M4 4,0 x 50
	M3 4,0 x 60

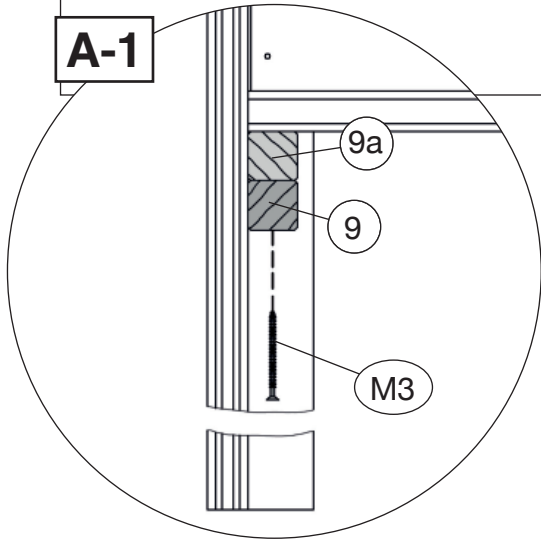
2x



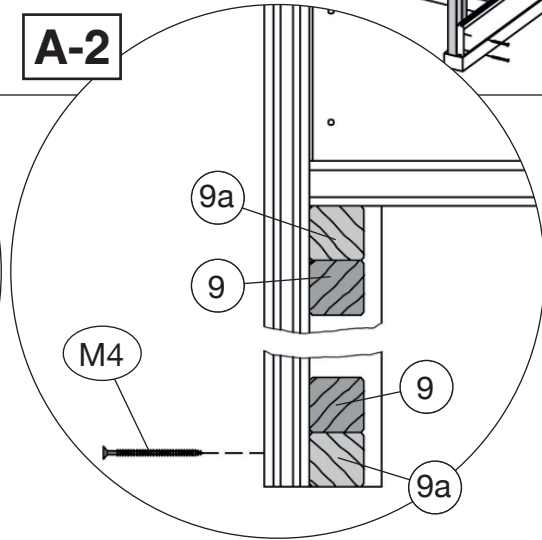
6.2



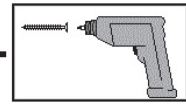
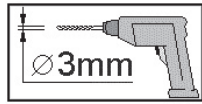
A-1



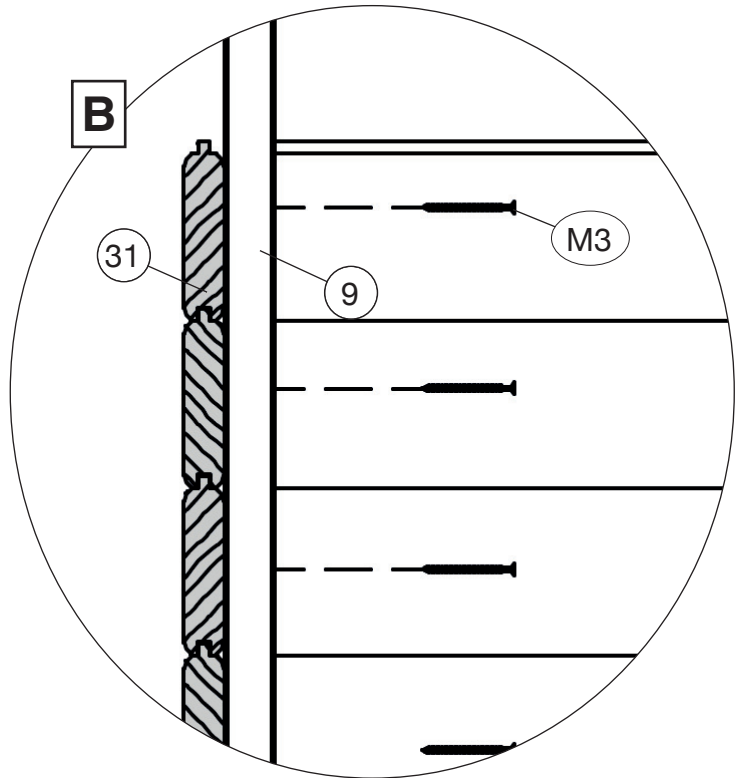
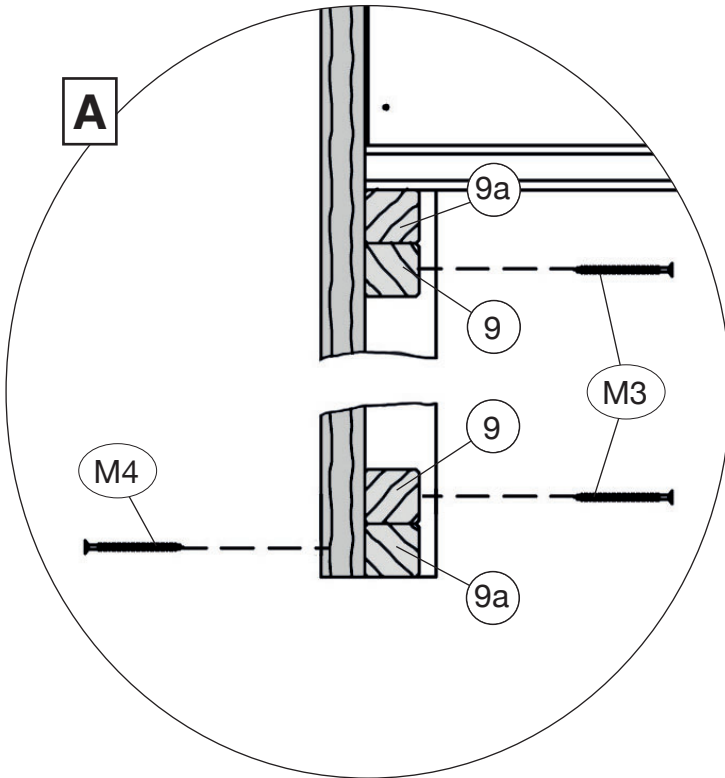
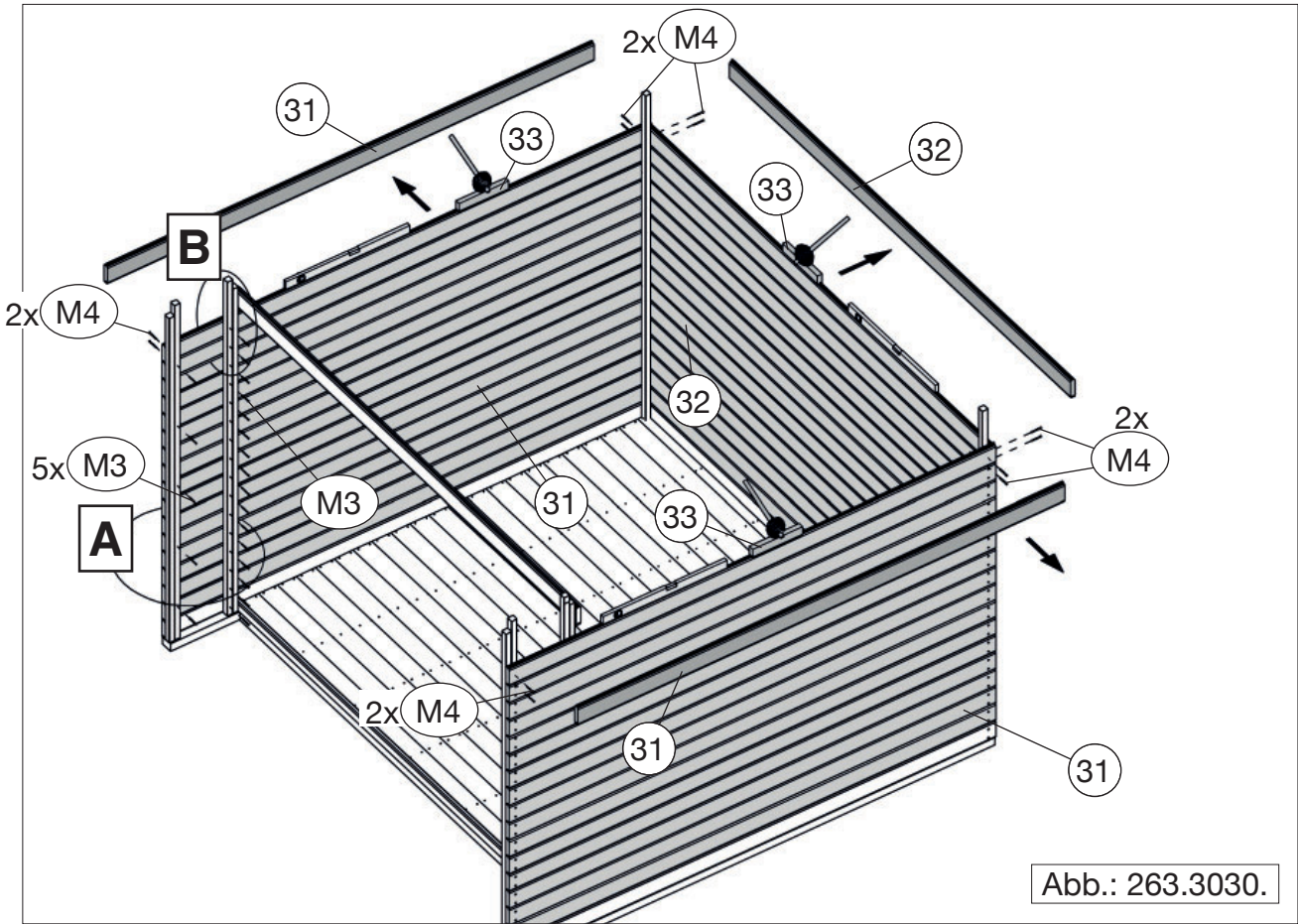
A-2



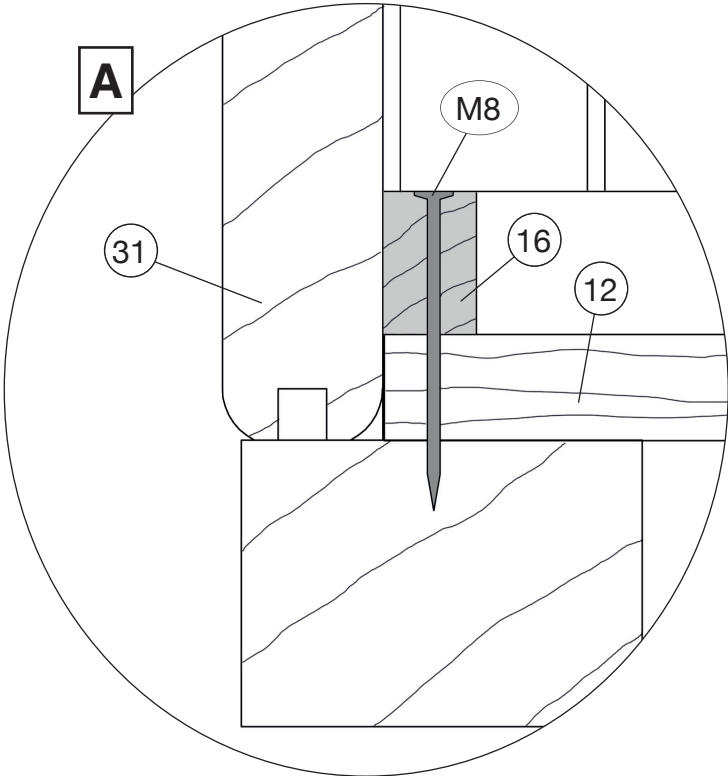
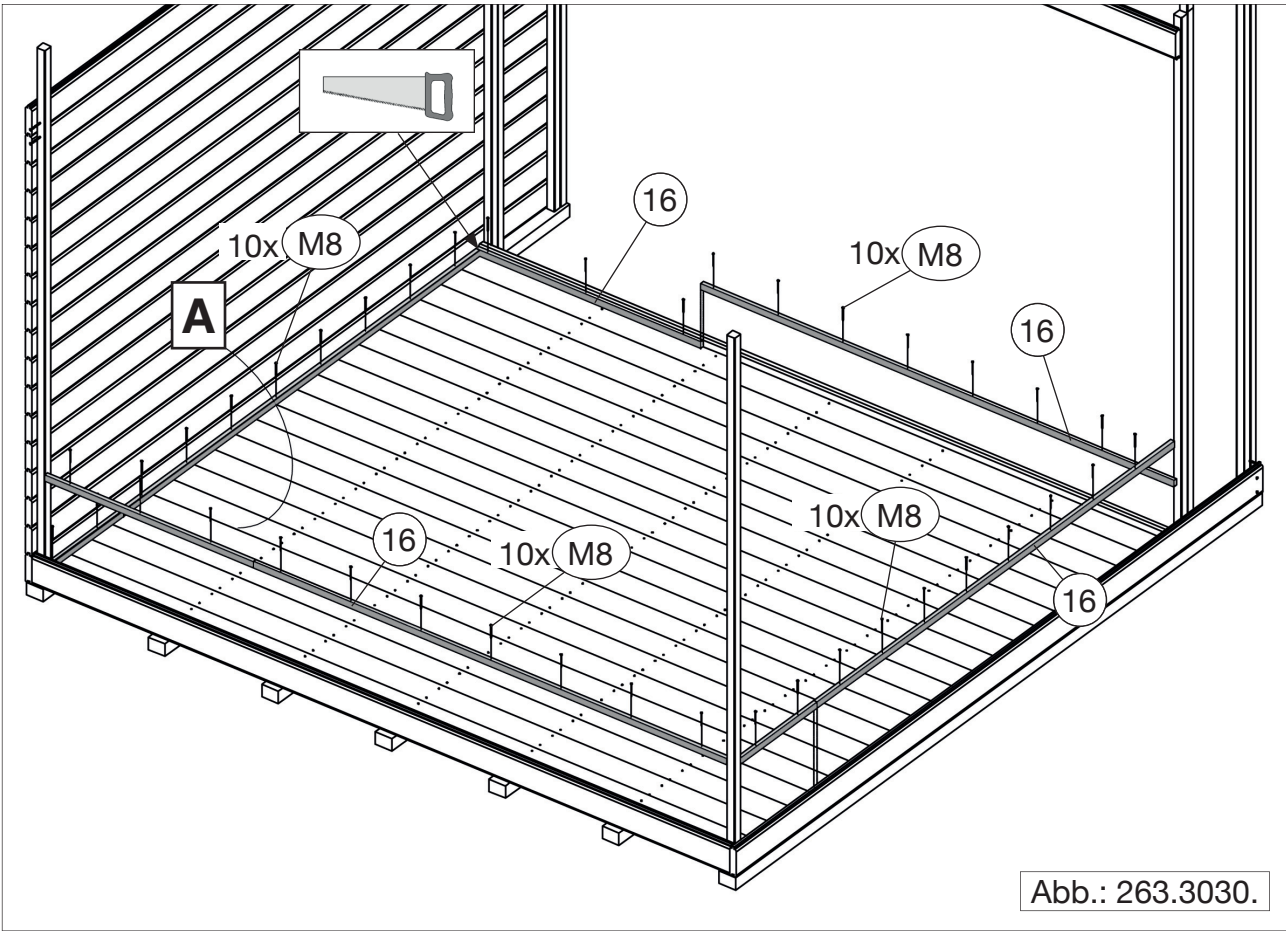
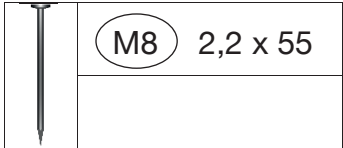
7



	M4 4,0 x 50
	M3 4,0 x 60



8



9


263.3024.40000 = (26a)

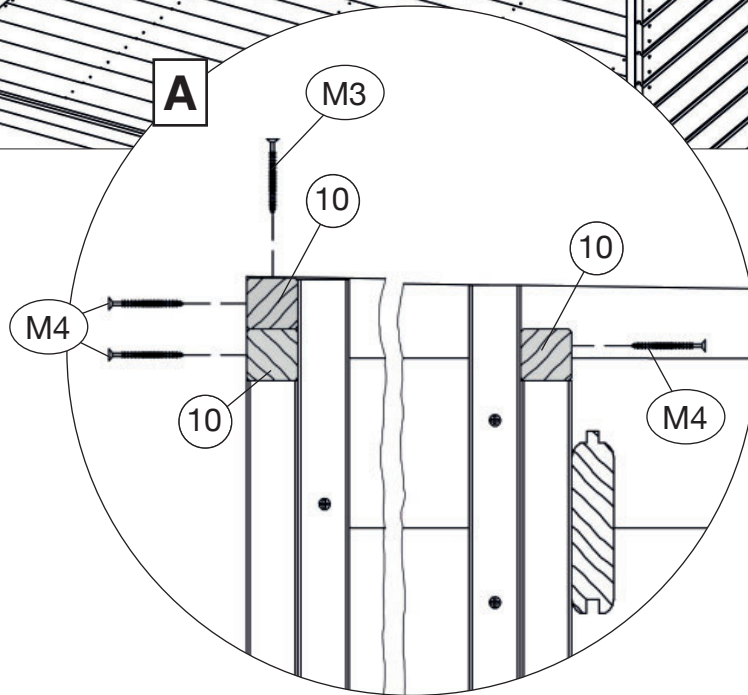
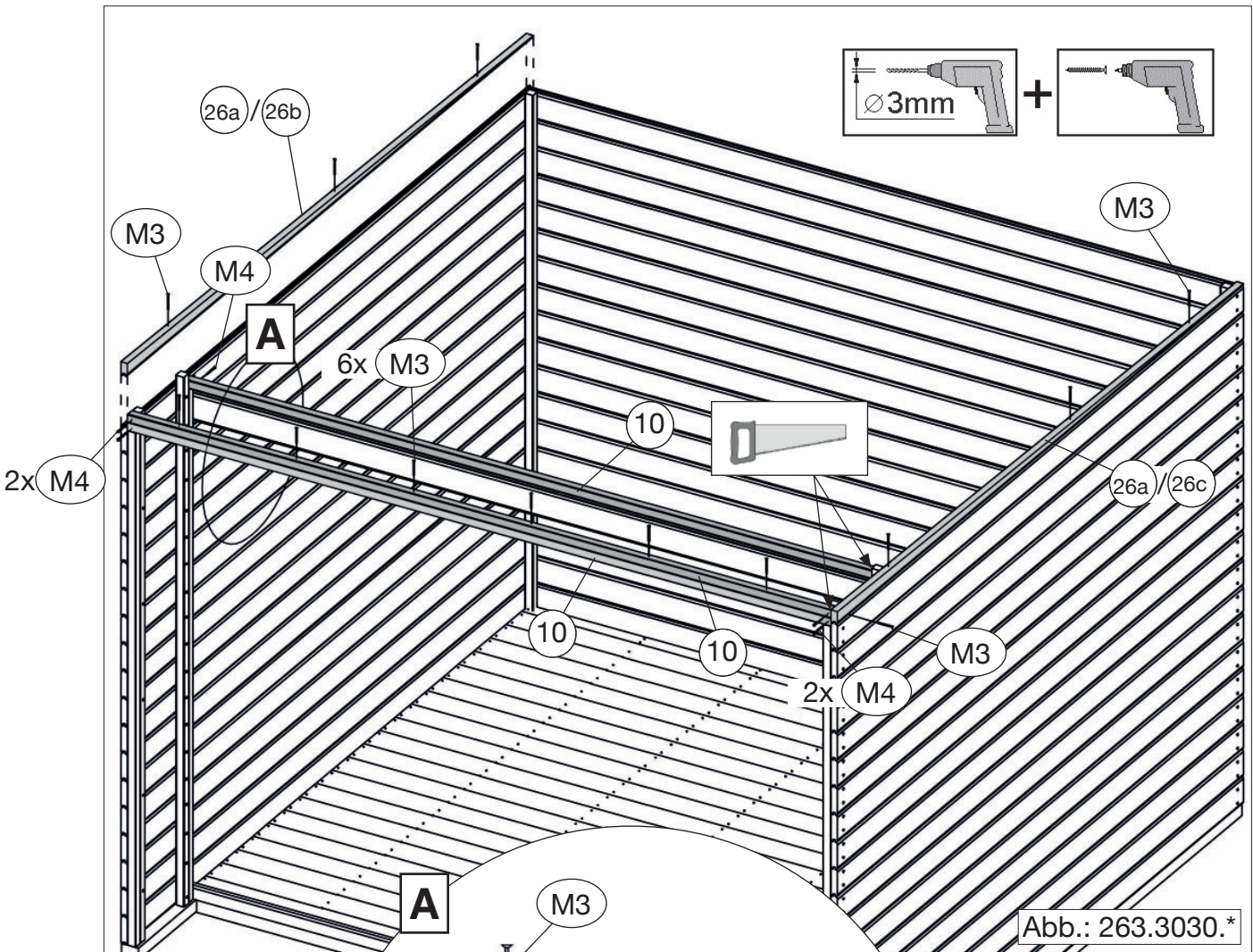
263.3030.40000 = (26a)

263.3024.4X000 = (26b) (26c)

263.3030.4X000 = (26b) (26c)



	(M3)	4,0 x 60
	(M4)	4,0 x 50



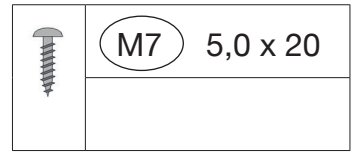
10



263.3024.

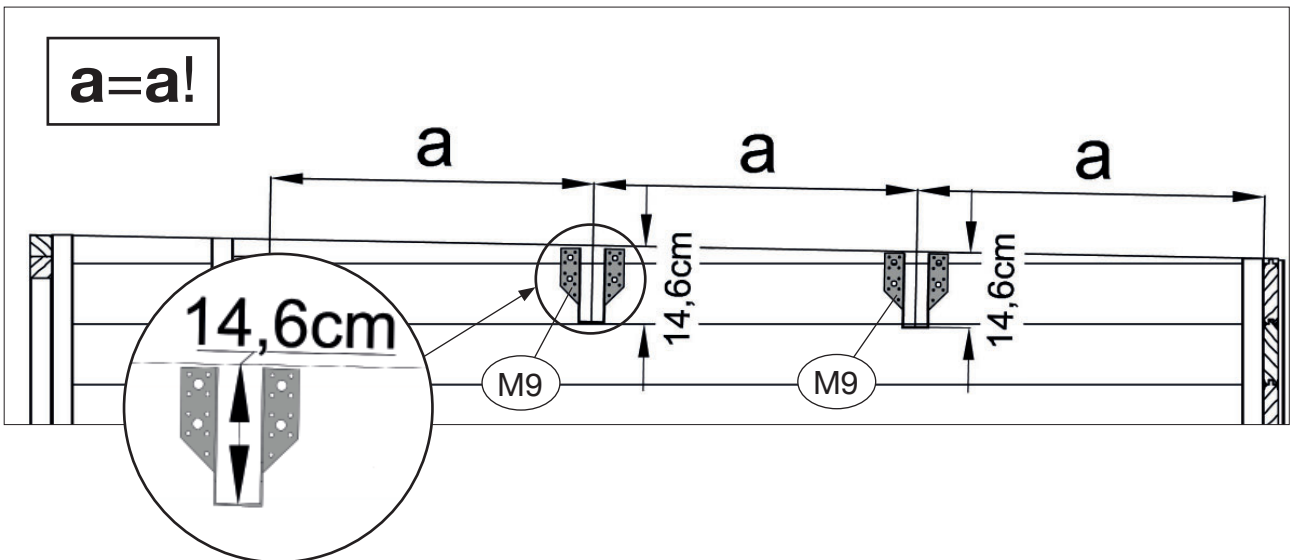
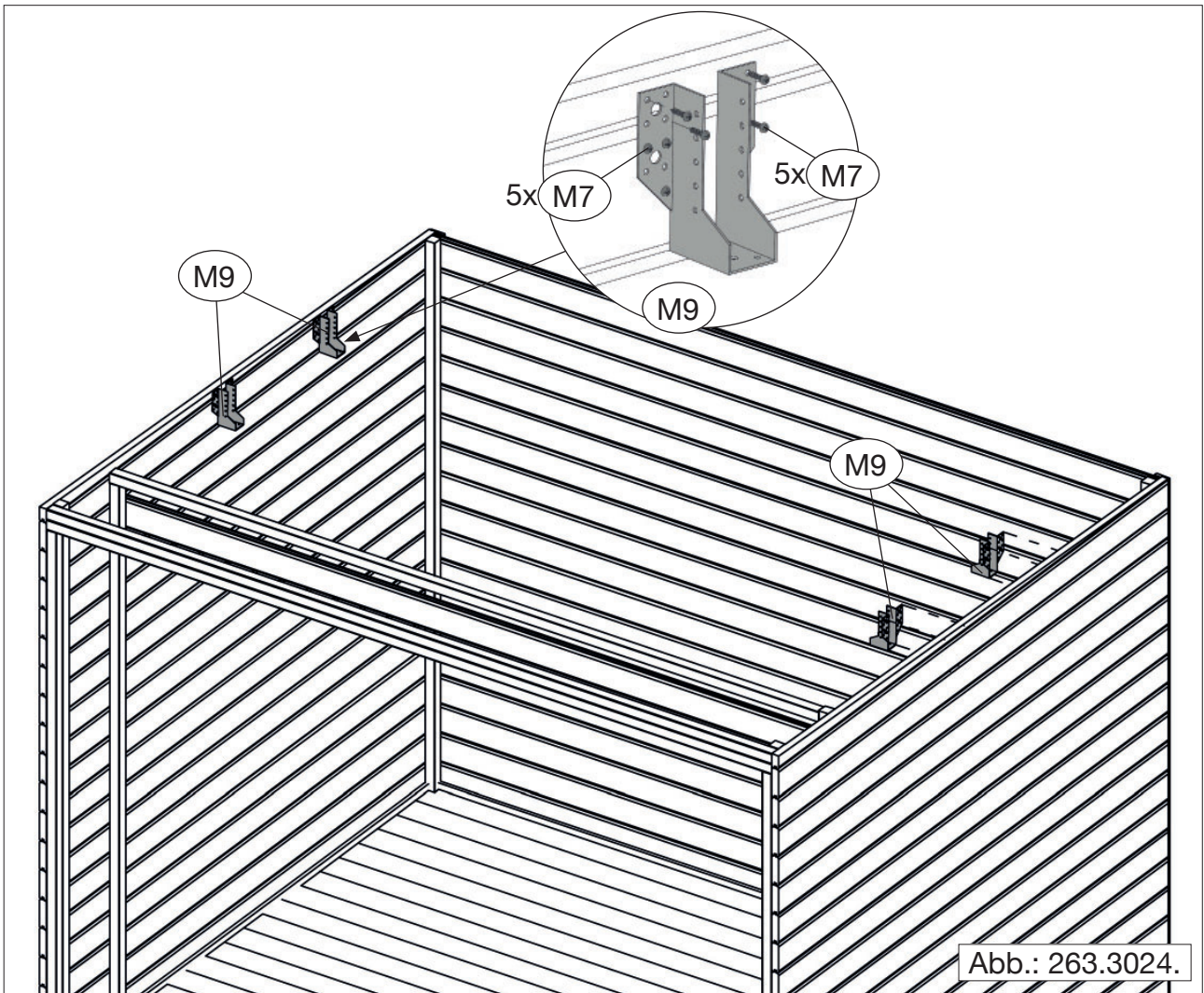


M9

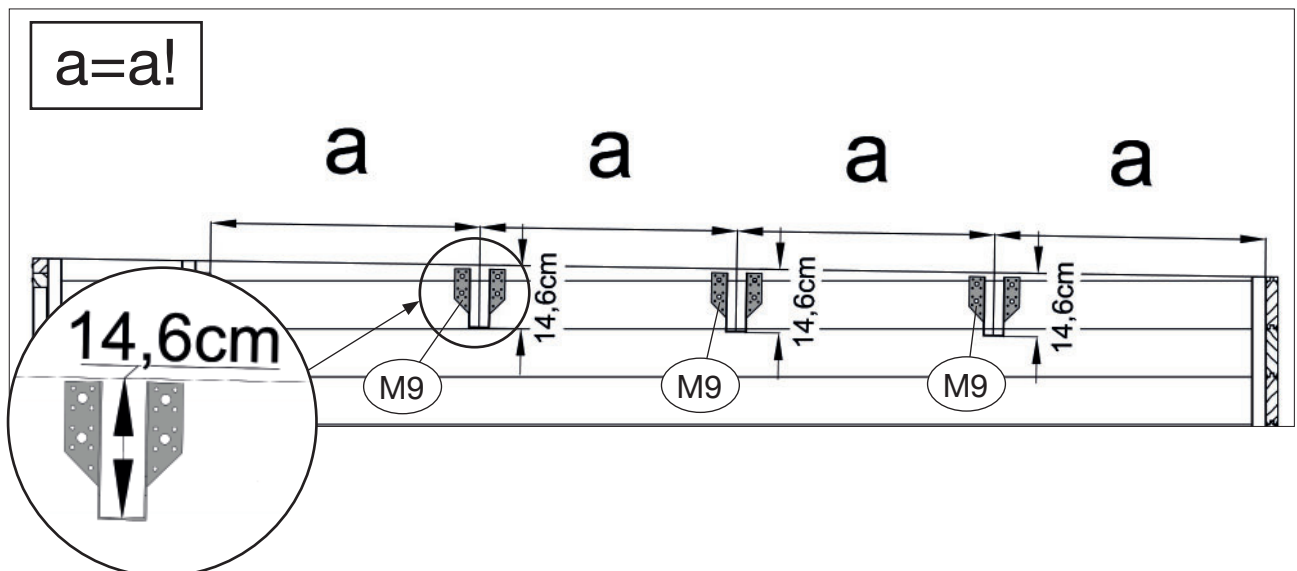
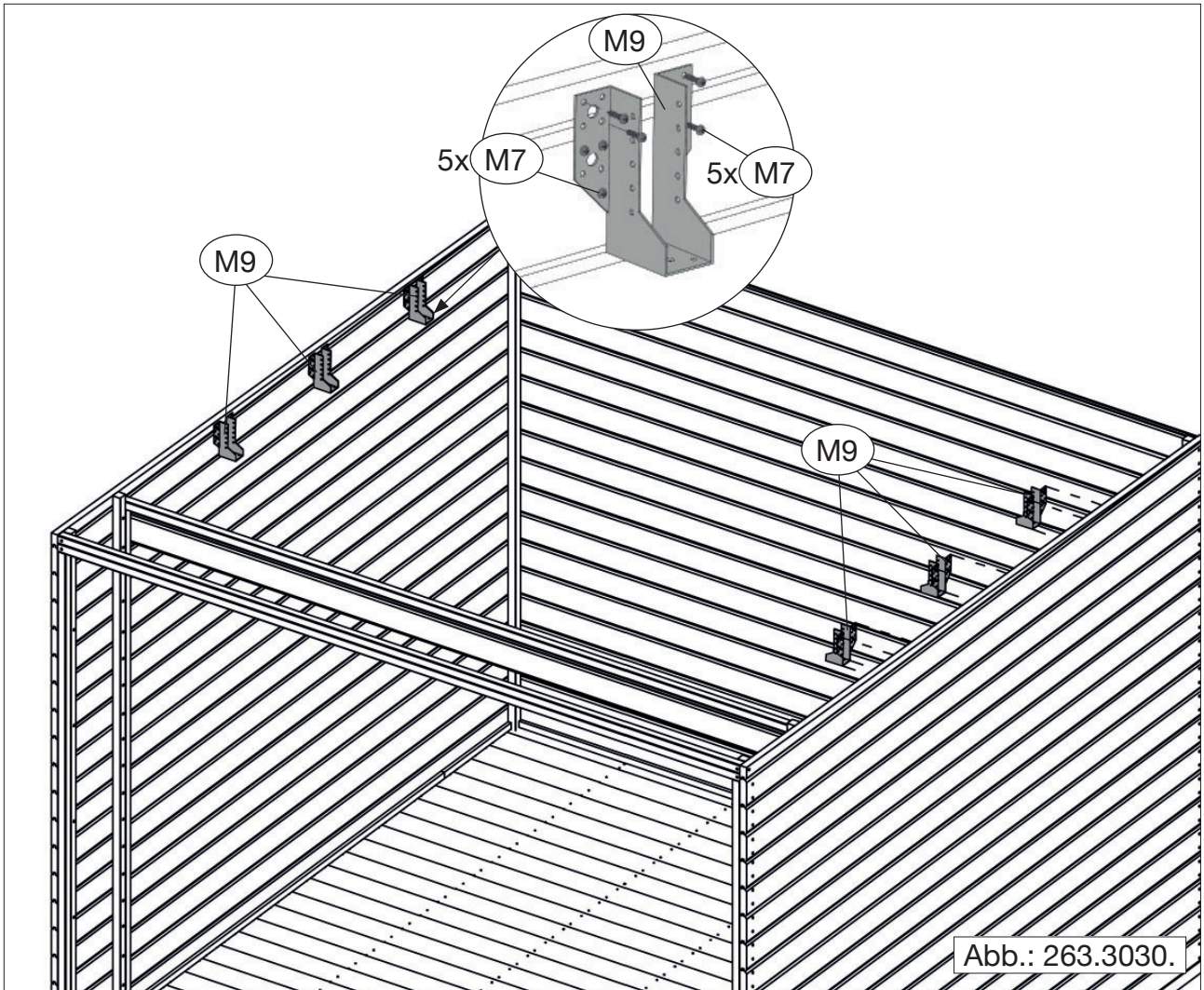
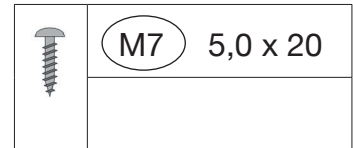
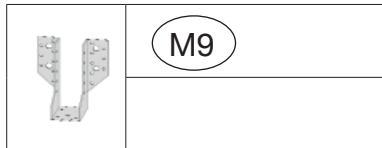


M7

5,0 x 20

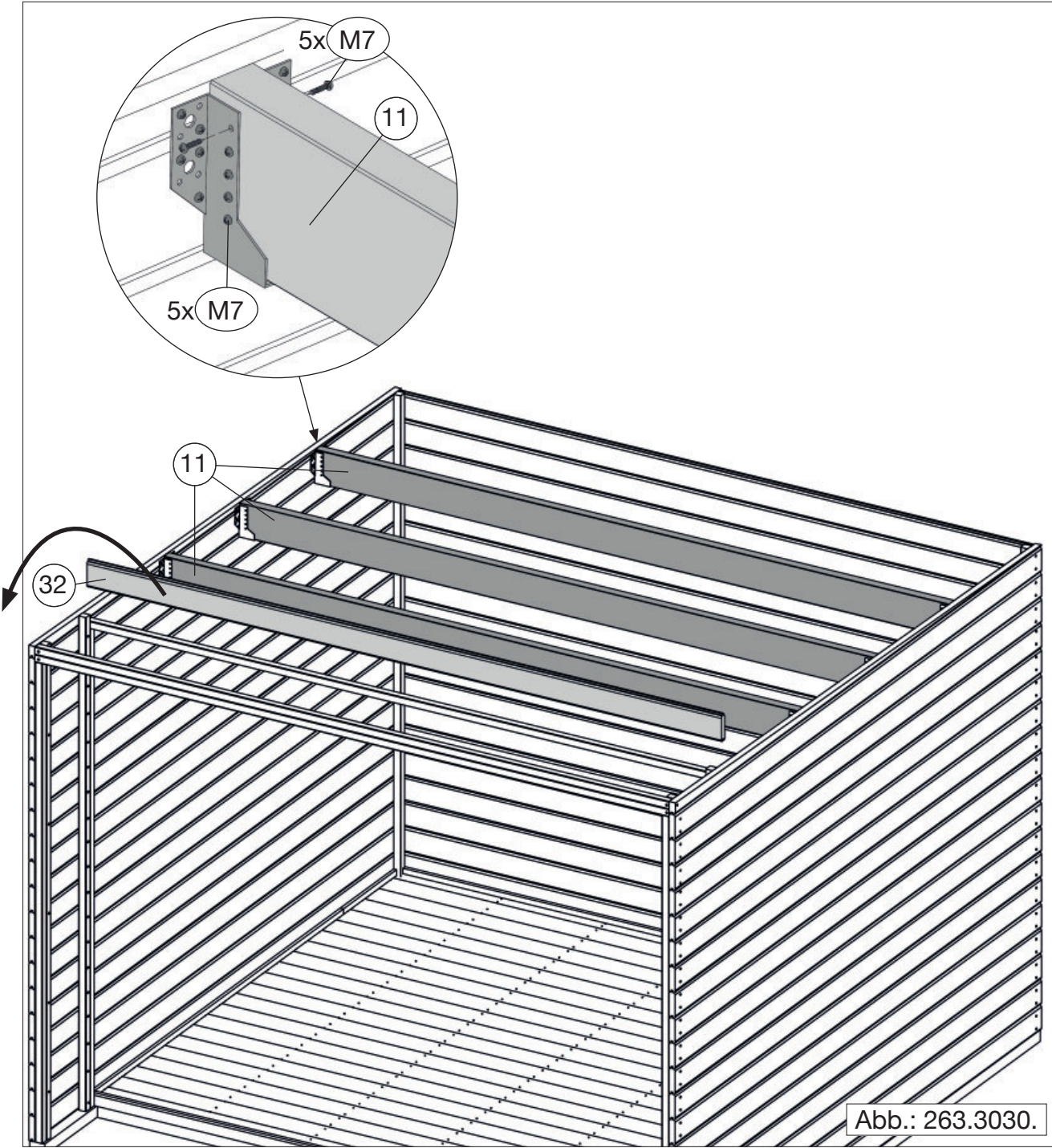


10 ! 263.3030.*

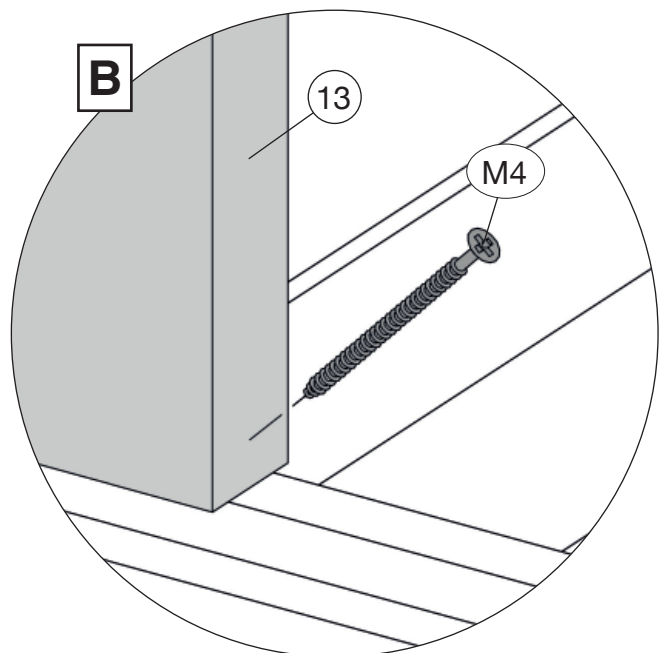
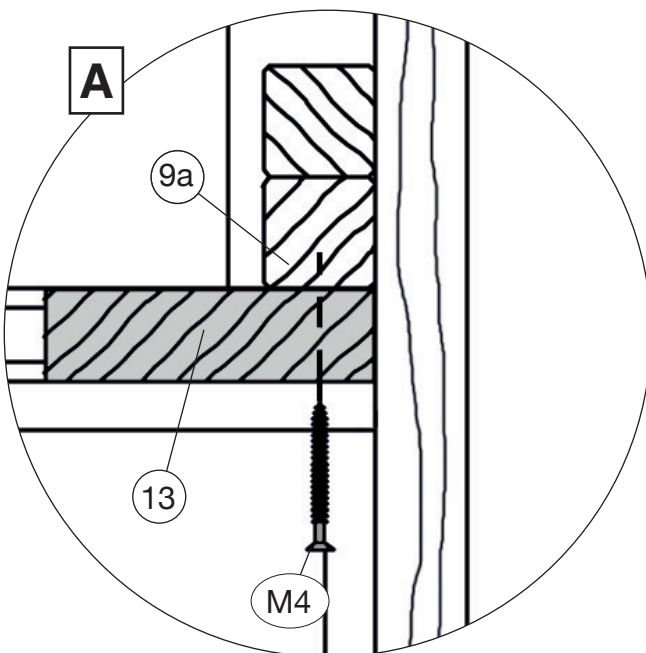
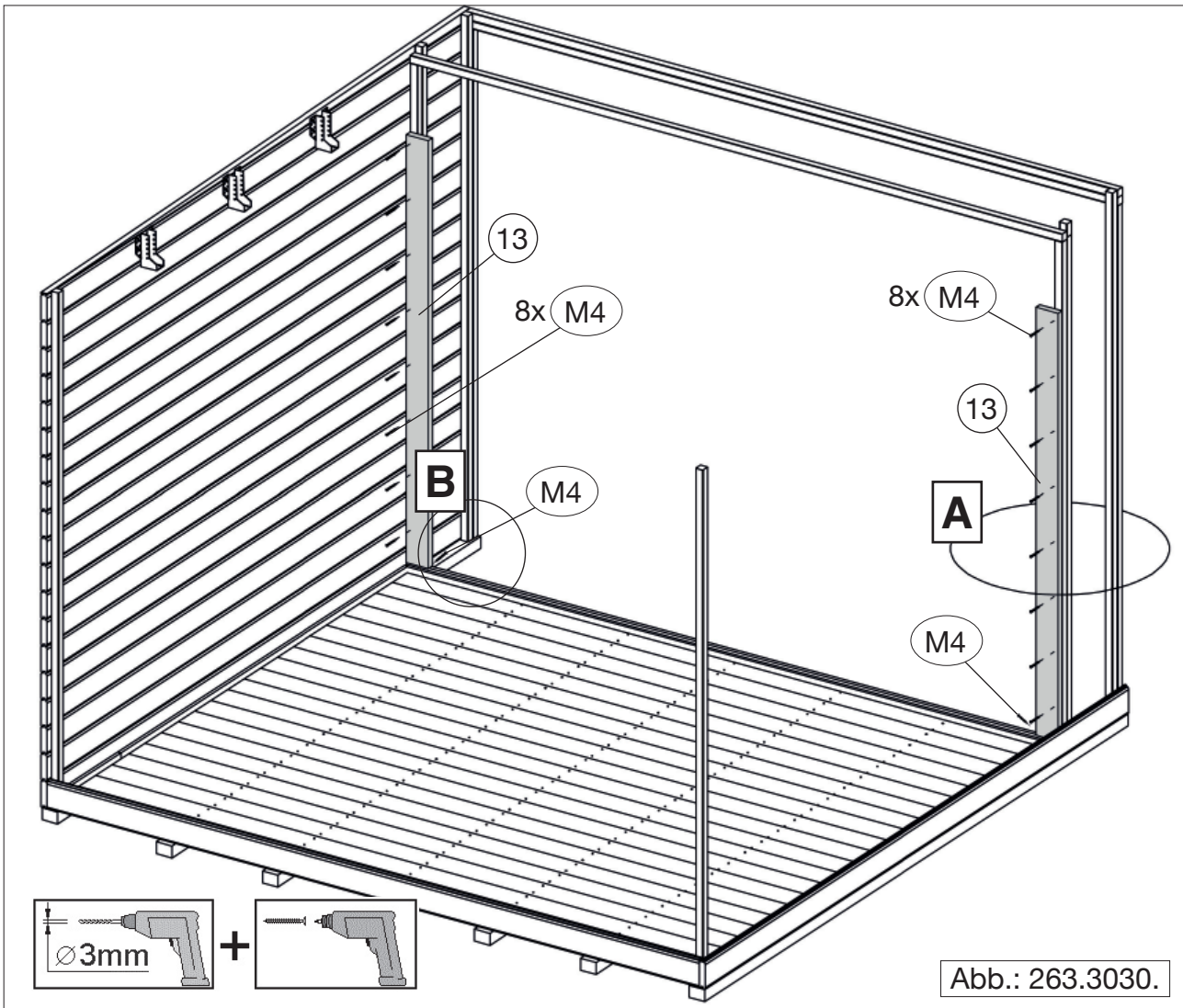
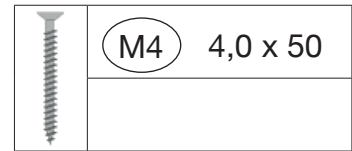




11

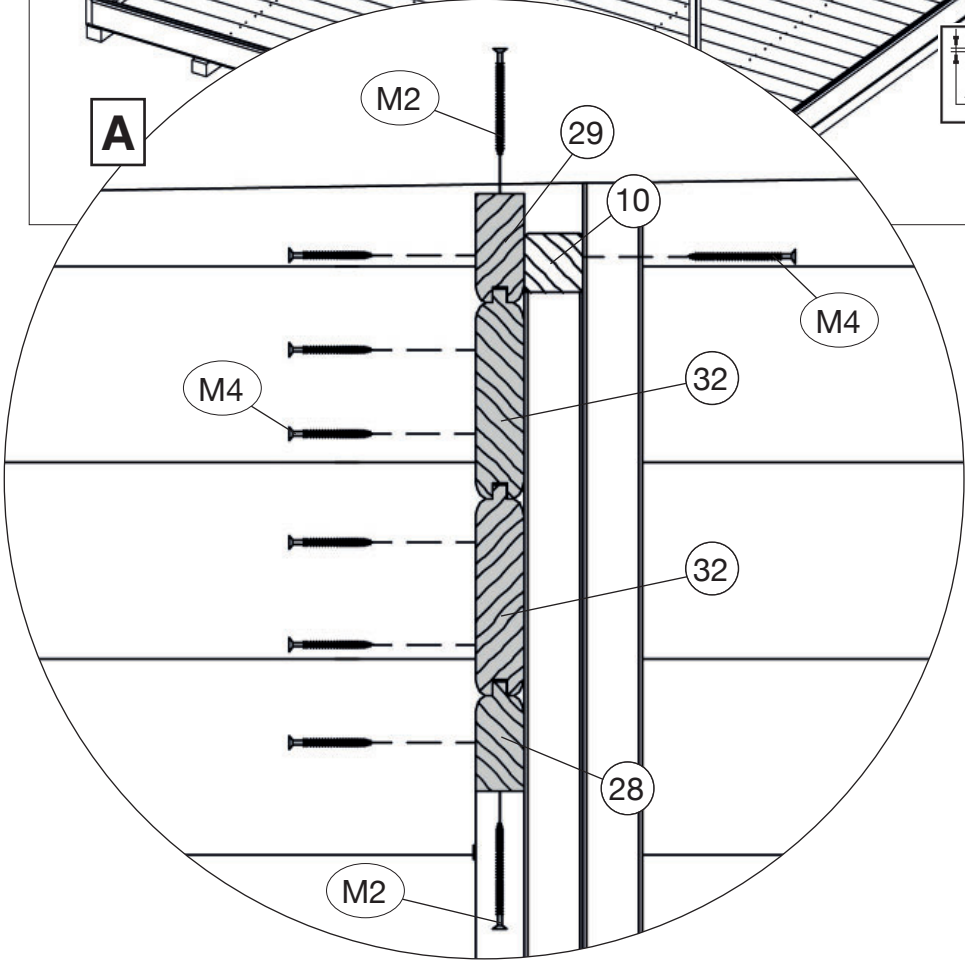
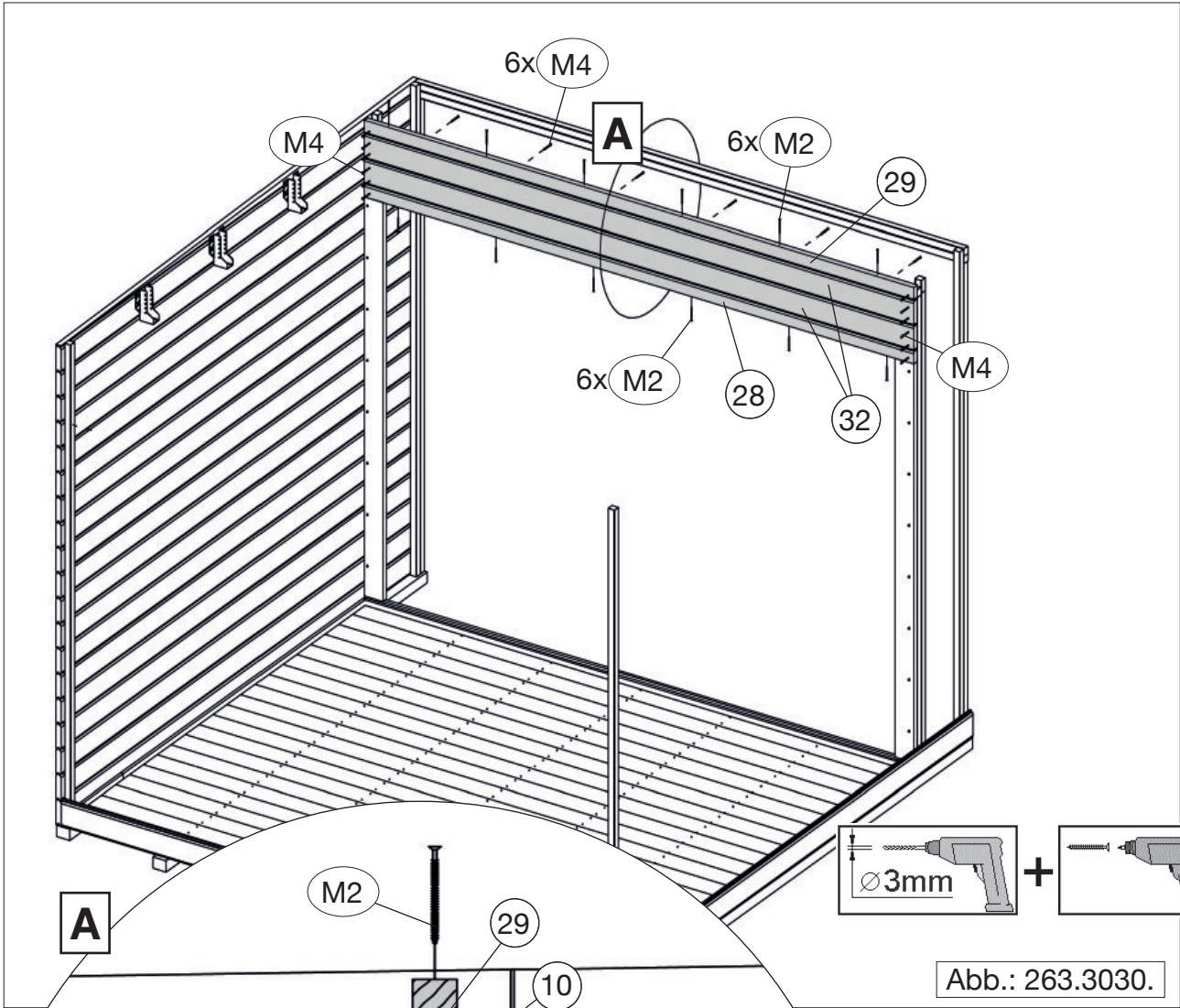
	M7 5,0 x 20



12



	M4 4,0 x 50
	M2 5,0 x 80



14

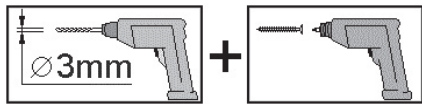
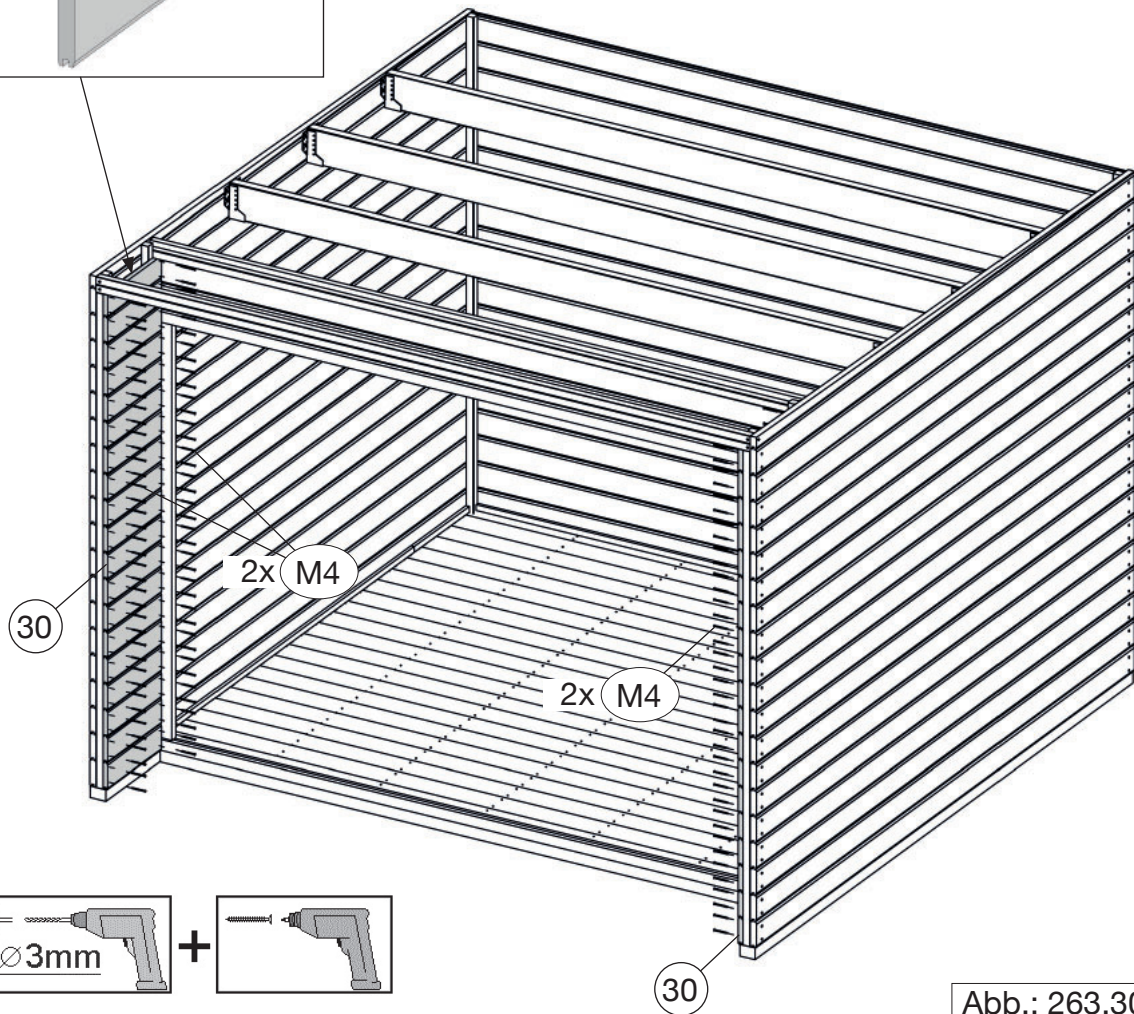
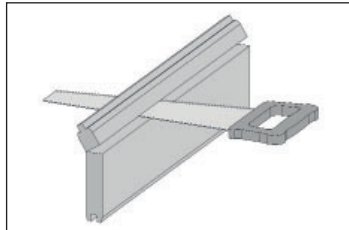
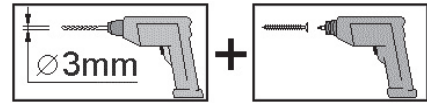
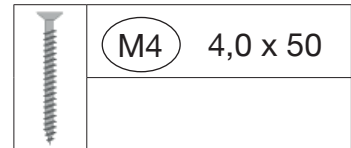
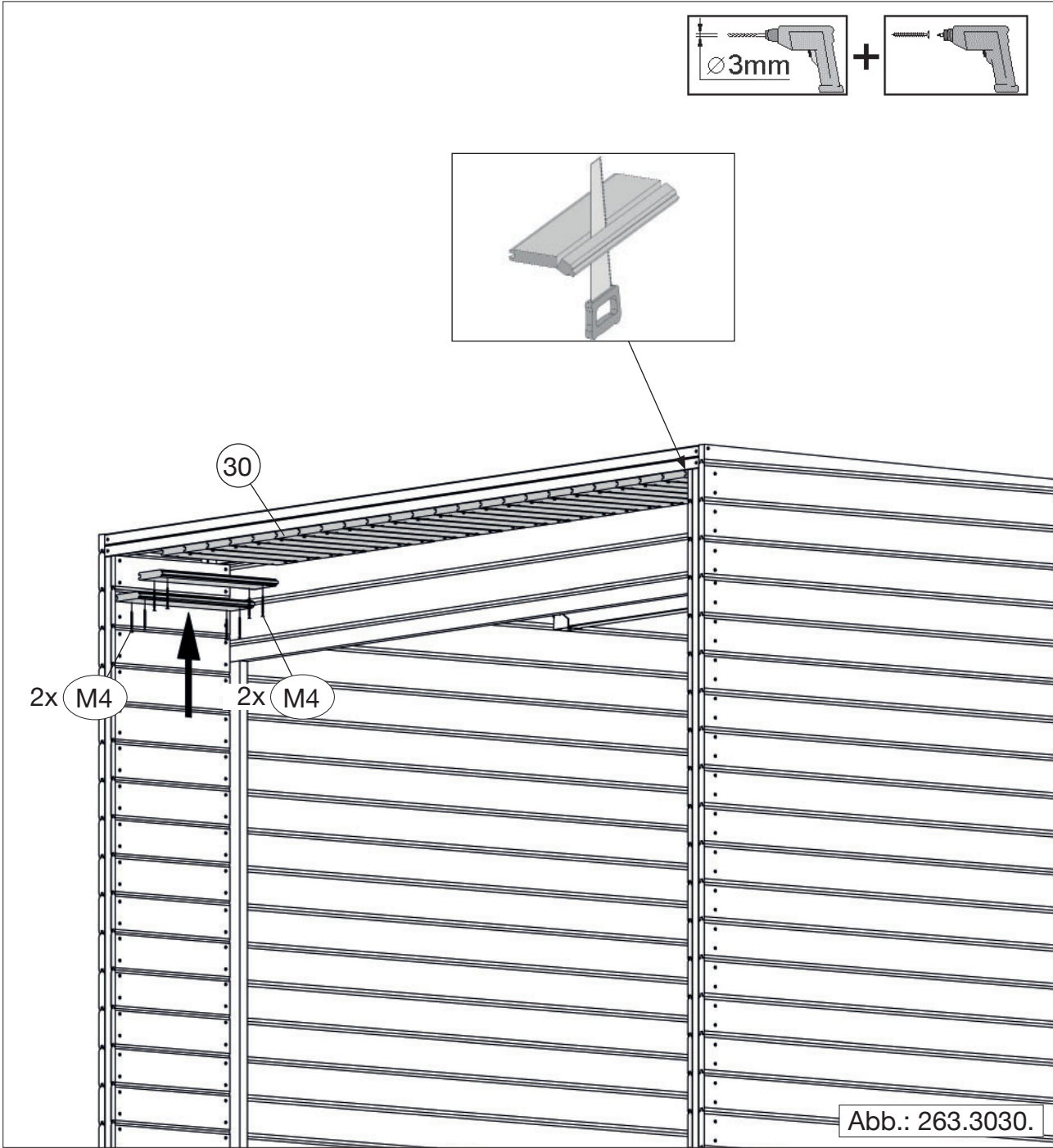
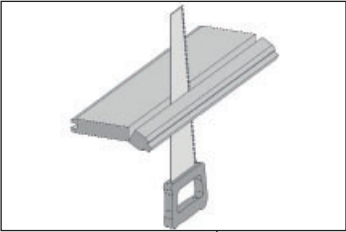
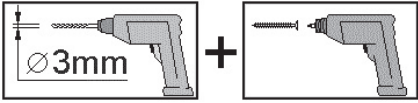


Abb.: 263.3030.

15



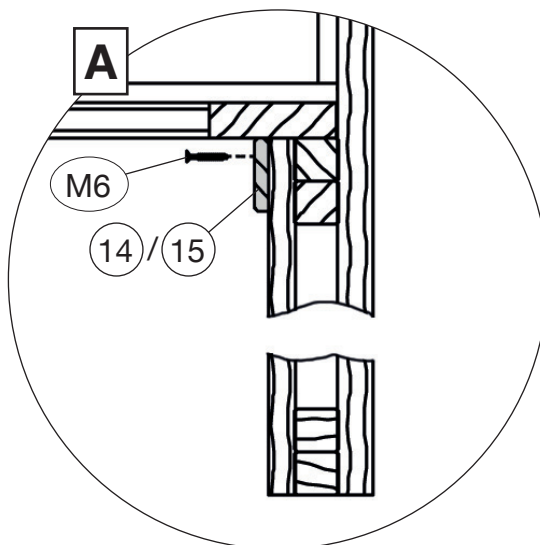
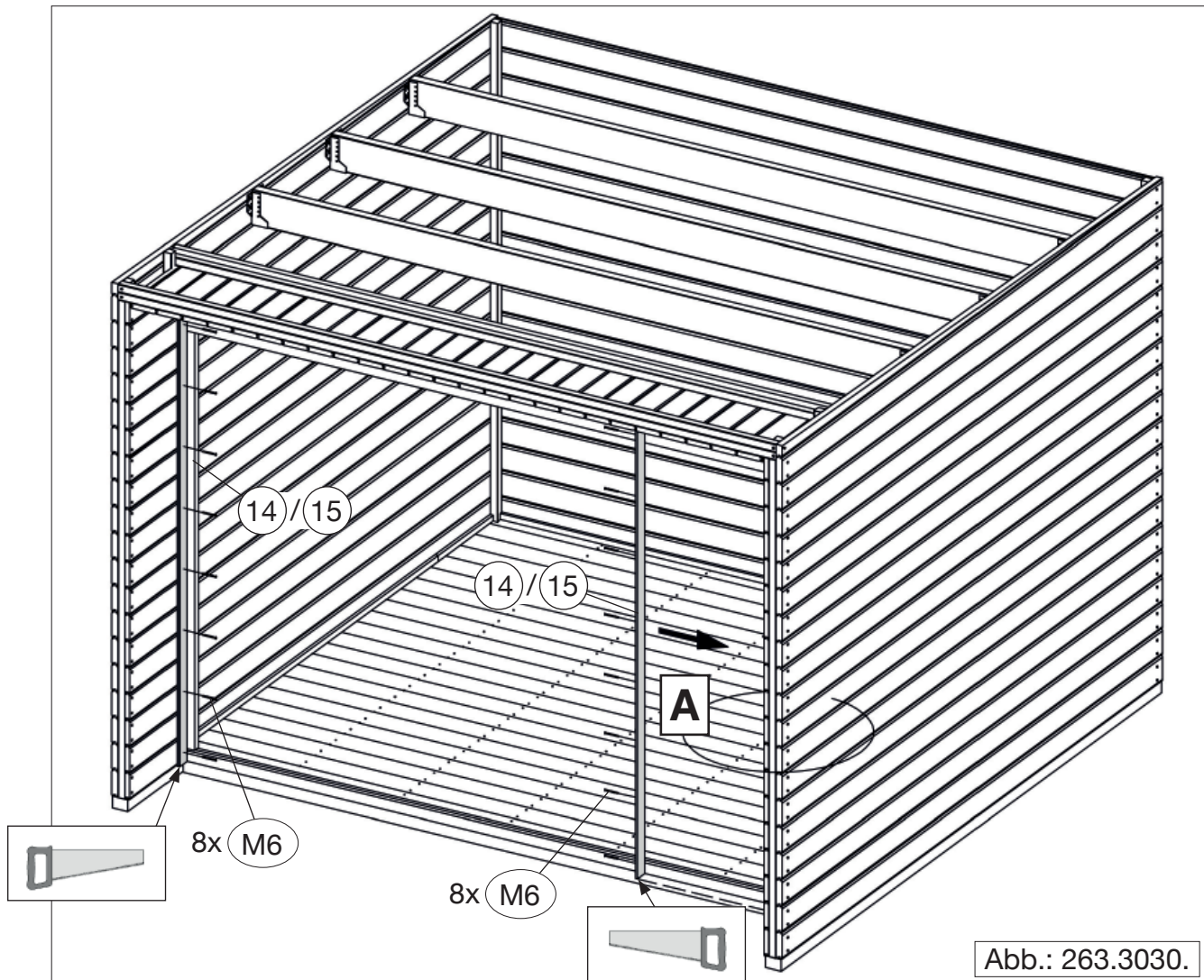
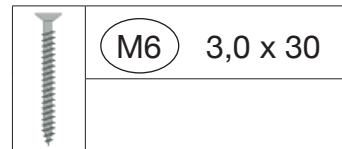
16

263.3024.40000 = (15)


263.3030.40000 = (15)

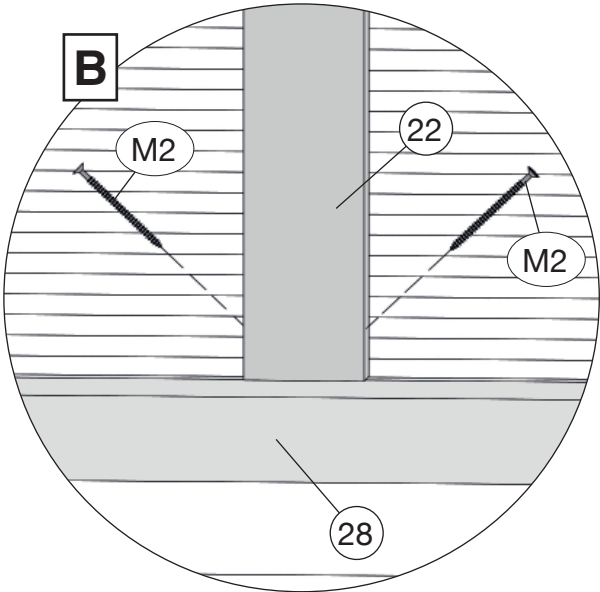
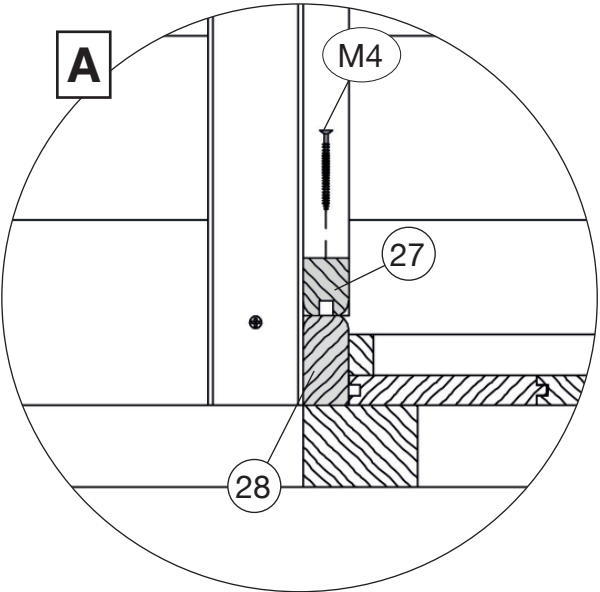
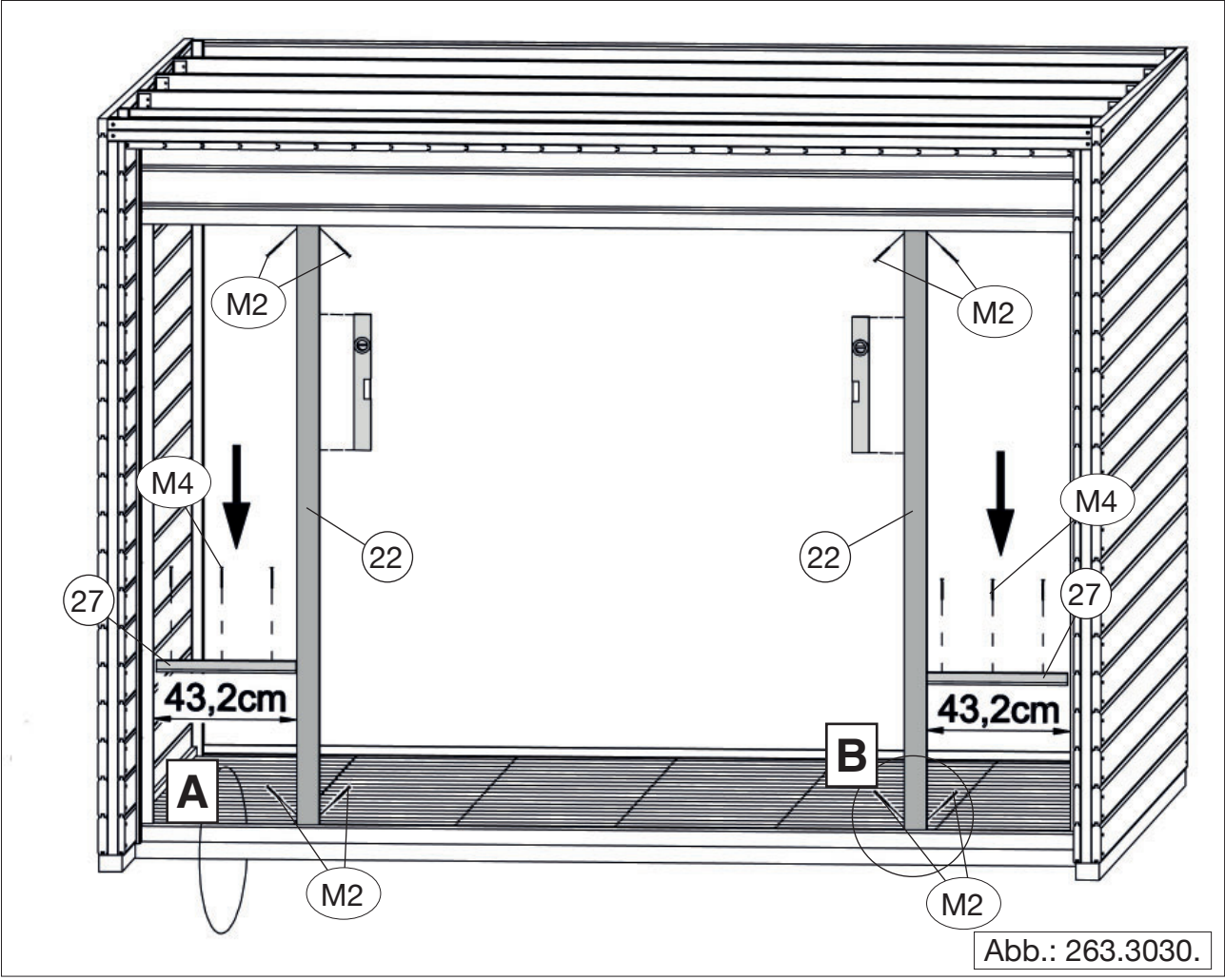
263.3024.4X000 = (14)

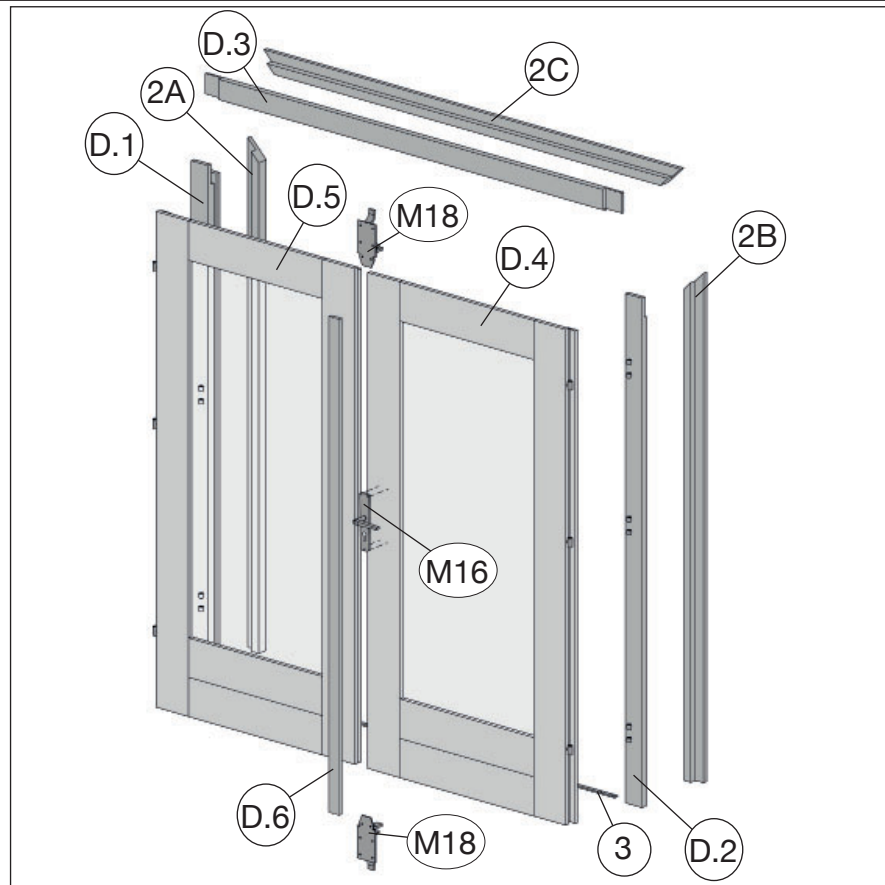
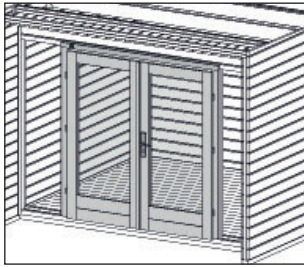
263.3030.4X000 = (14)

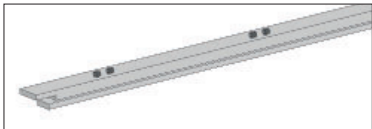
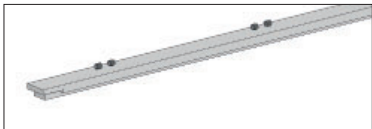
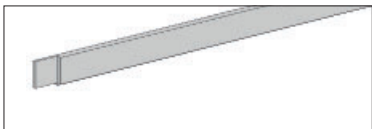


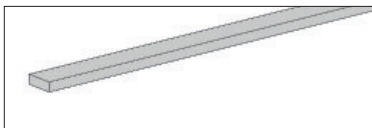


17

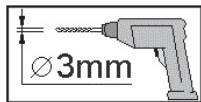
	M2	5,0 x 80
	M4	4,0 x 50



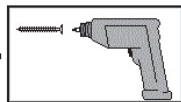



Pos	Bild	Abmessung (mm)
(D.1)		46/80
(D.2)		46/80
(D.3)		46/80
(D.4)		
(D.5)		
(D.6)		15/45

18.1

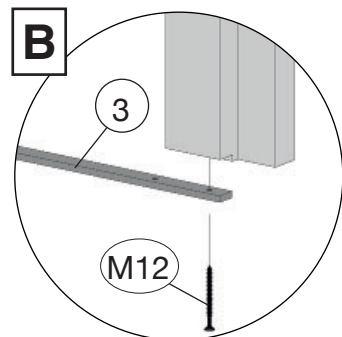
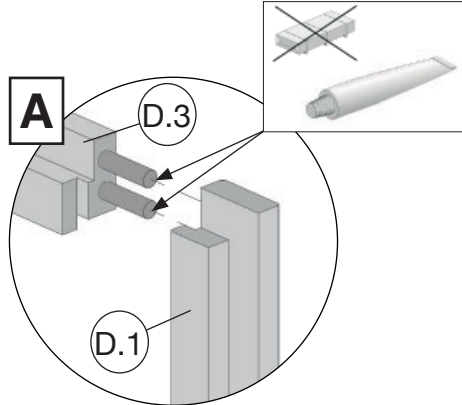
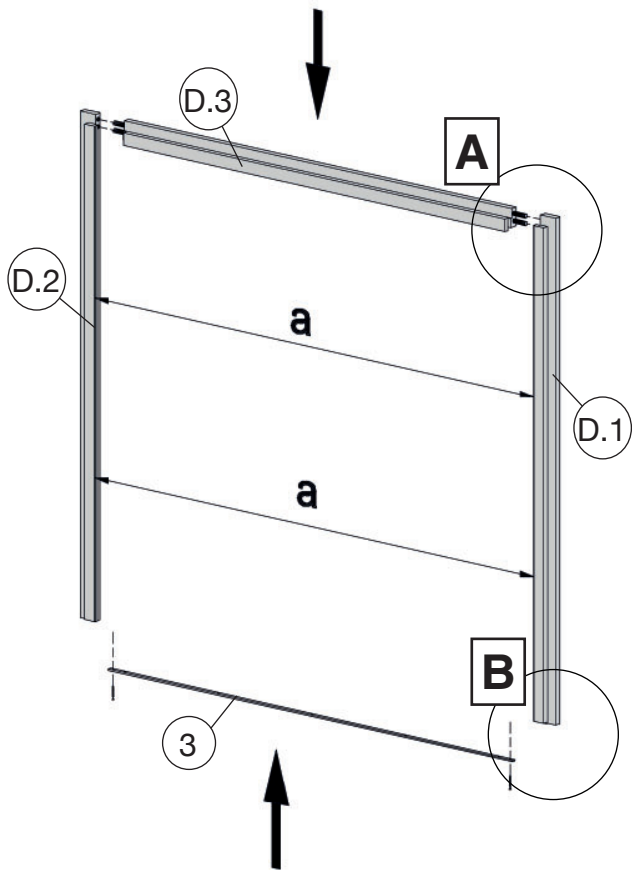


+

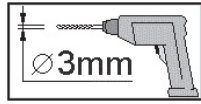


	M12 3,5 x 35
---	--------------

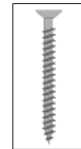
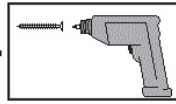
a=a!



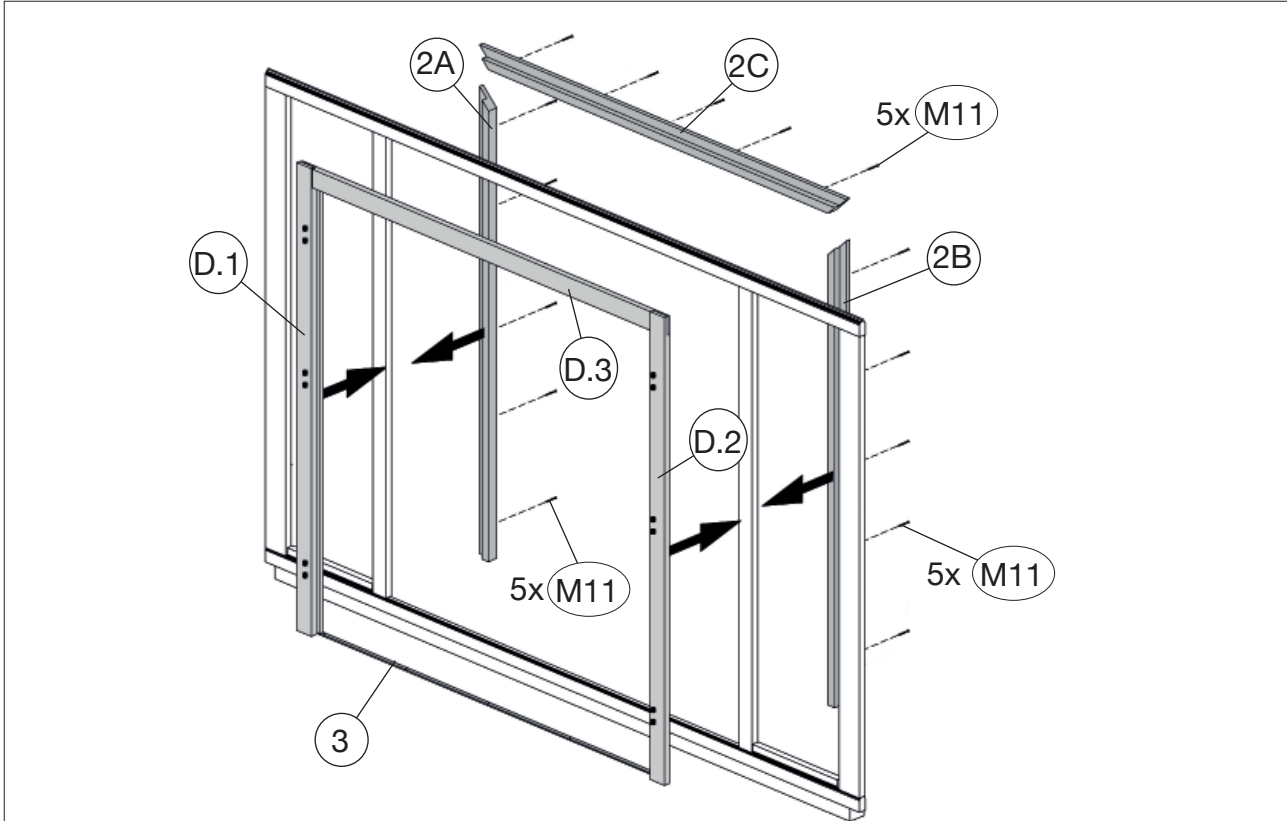
18.2



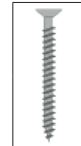
+



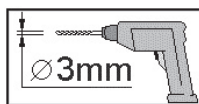
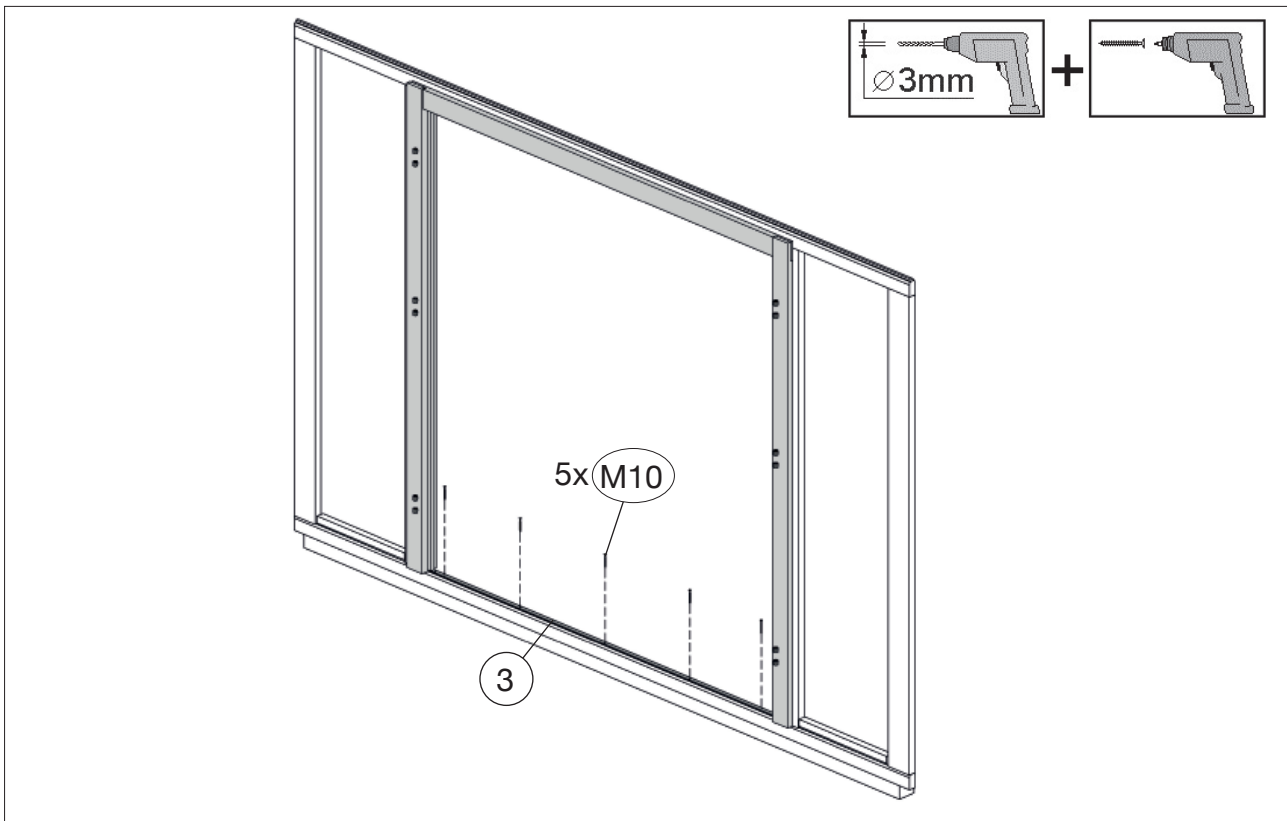
M11 4,0 x 40



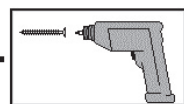
18.3



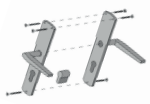

M10 4,0 x 60



+



18.4

	M16		M15 1,6 x 30
--	-----	--	--------------

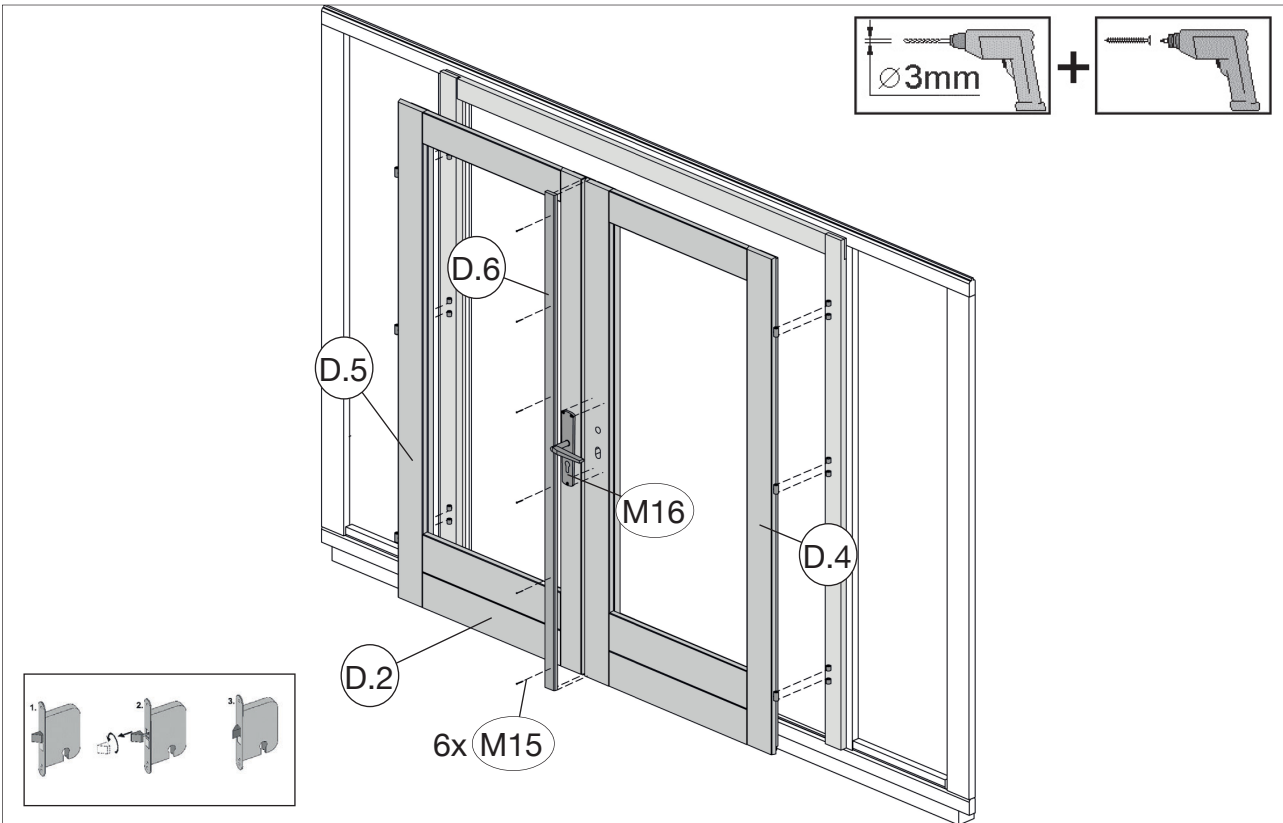
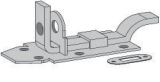
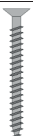


Diagram illustrating the installation of the door frame. The door is shown in a partially open position. The frame is being attached to the wall using screws (M16) and brackets (D.2, D.4, D.5, D.6). The door handle (M16) is also shown. The door is secured to the frame using 6x M15 screws. An inset shows three different door handle options. A callout shows a 3mm drill bit and a screwdriver.

18.5

	M18		M14 3,5 x 16
---	-----	---	--------------

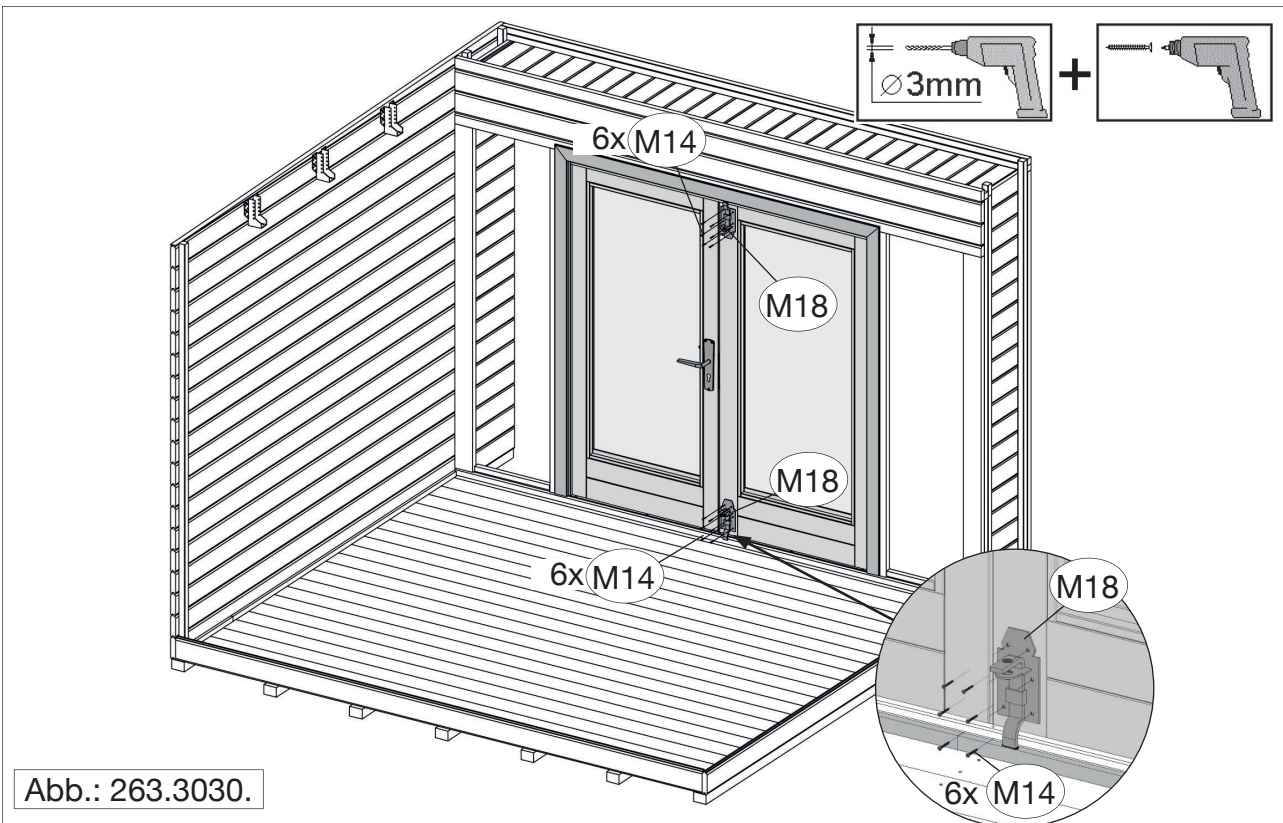
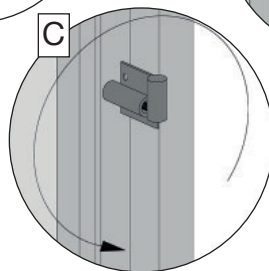
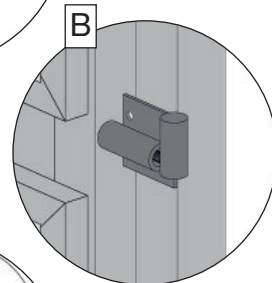
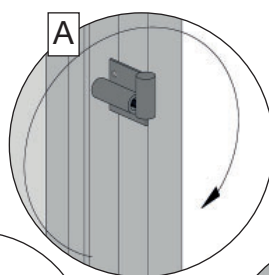
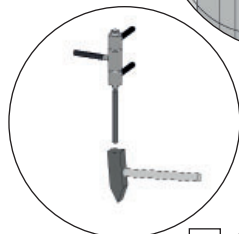
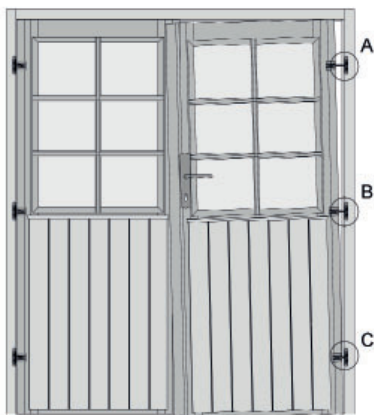
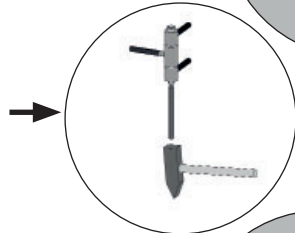
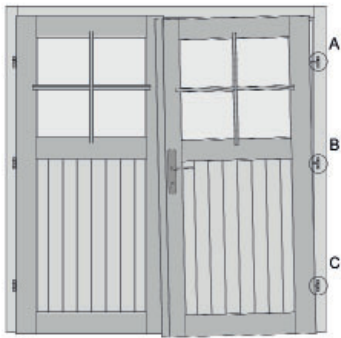
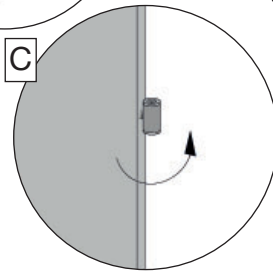
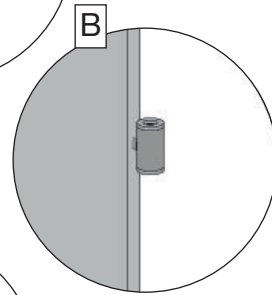
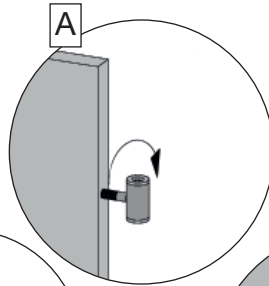



Diagram illustrating the installation of the door frame. The door is shown in a partially open position. The frame is being attached to the wall using screws (M14) and brackets (M18). The door handle (M18) is also shown. The door is secured to the frame using 6x M14 screws. A callout shows a 3mm drill bit and a screwdriver.

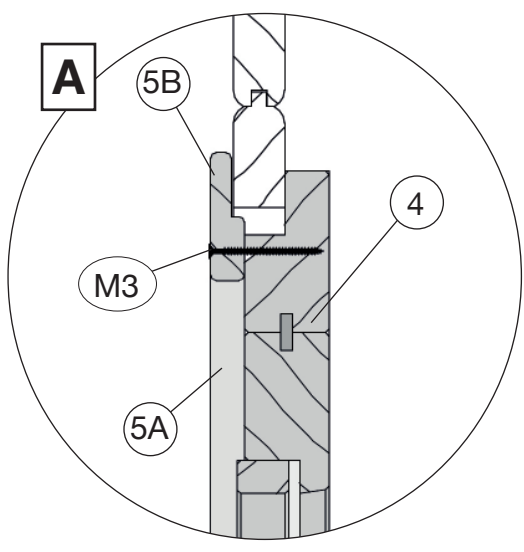
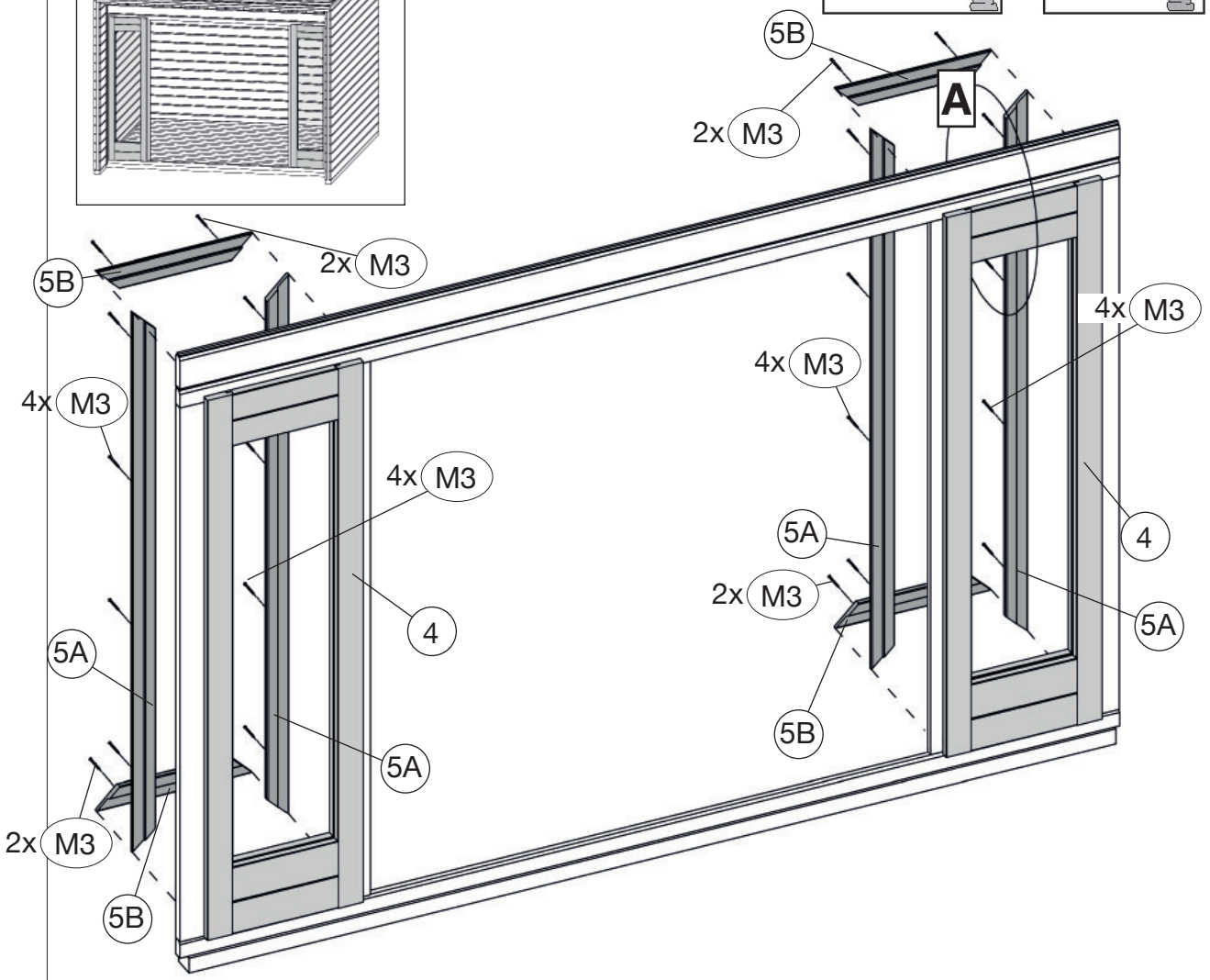
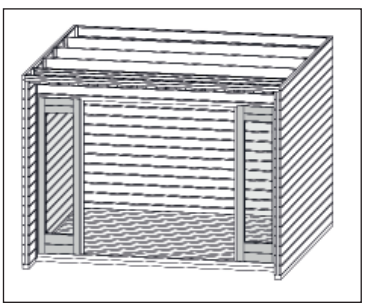
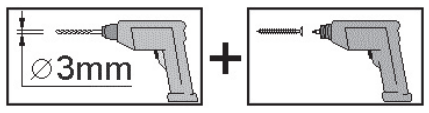
Abb.: 263.3030.

Trotz fachgerechter Montage der Tür lässt es sich nicht umgehen, das Sie, besonders in der Anfangszeit und bei extremer Witterungsfolge die Gängigkeit der Türbügel regelmäßig prüfen und nachstellen.

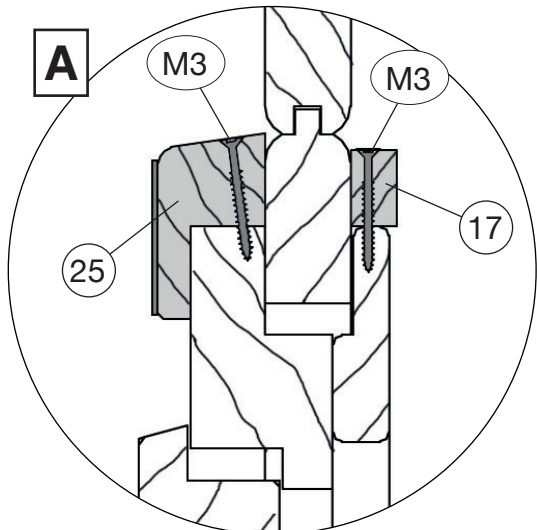
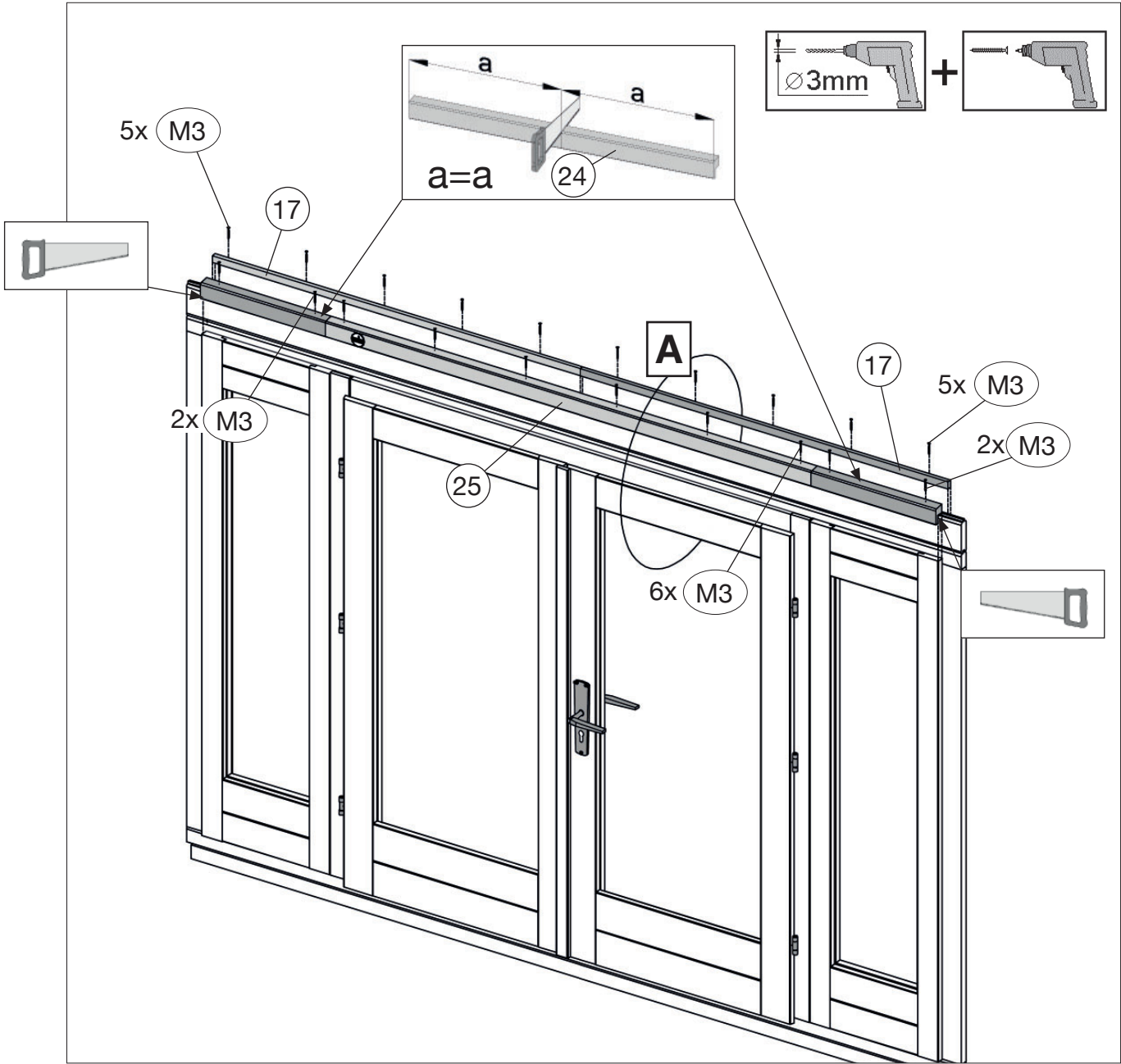
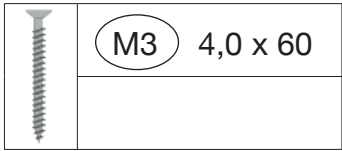
Durch Herein- und Herausschrauben der Scharnierbänder ist ein Nachjustieren der Türbügel möglich. Holz ist ein Naturprodukt, daher ist leichter Verzug bei Massivholz-Türblättern leider nie ganz auszuschließen.




	M3 4,0 x 60
--	-------------

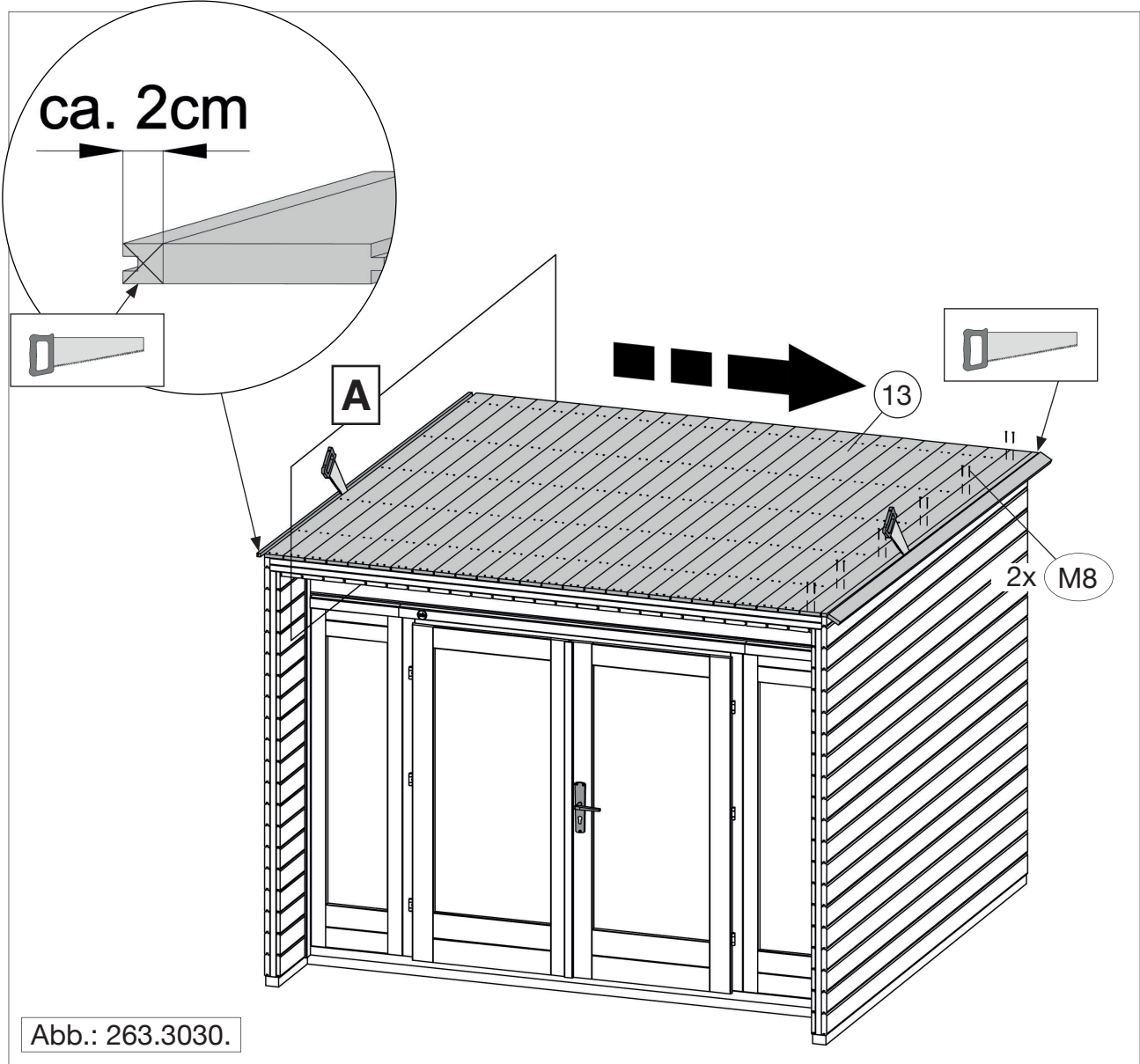


20



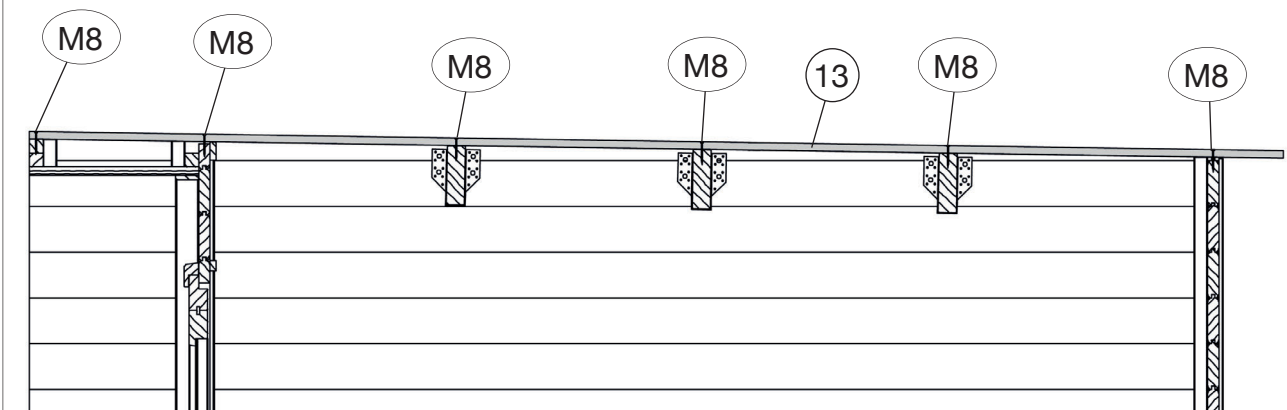
21

	M8 2,2 x 55
---	-------------



A

Abb.: 263.3030.



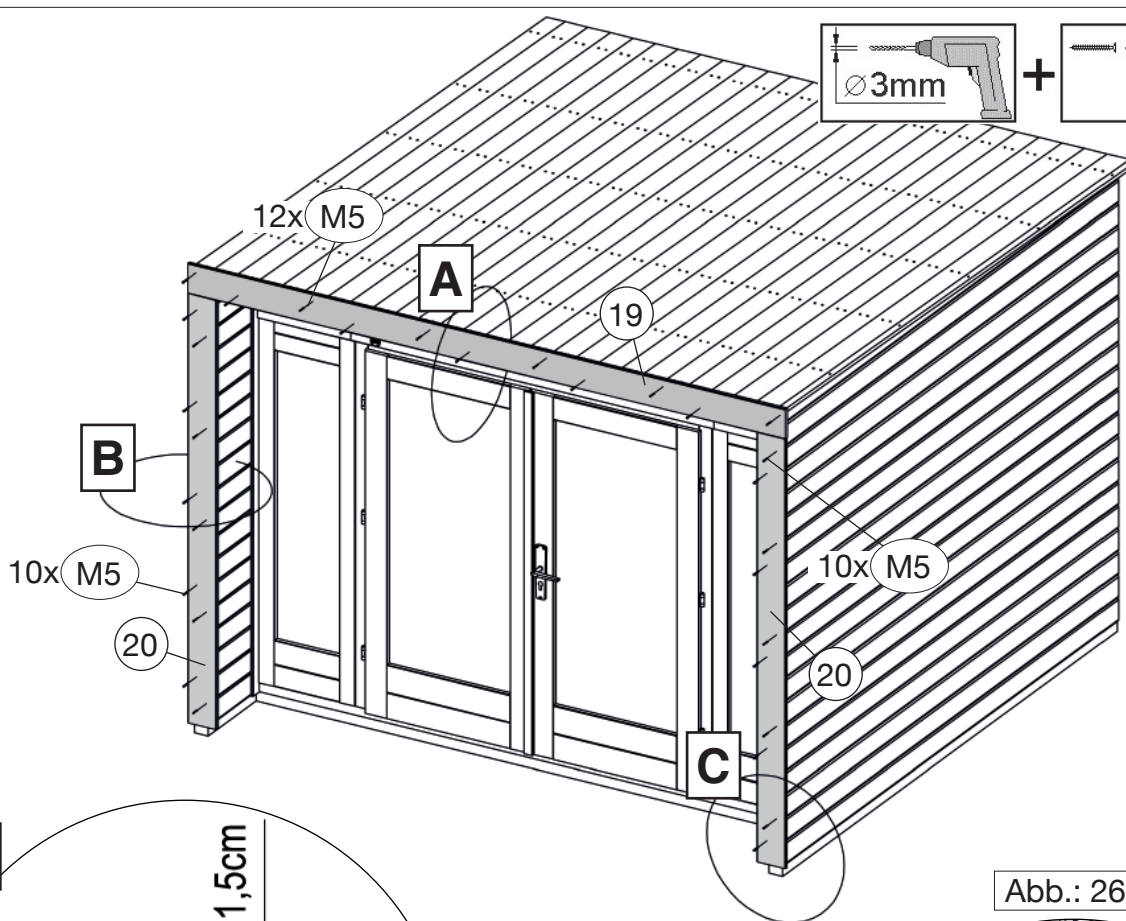
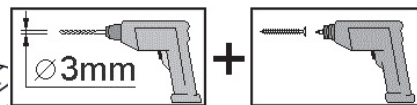
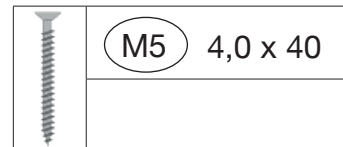
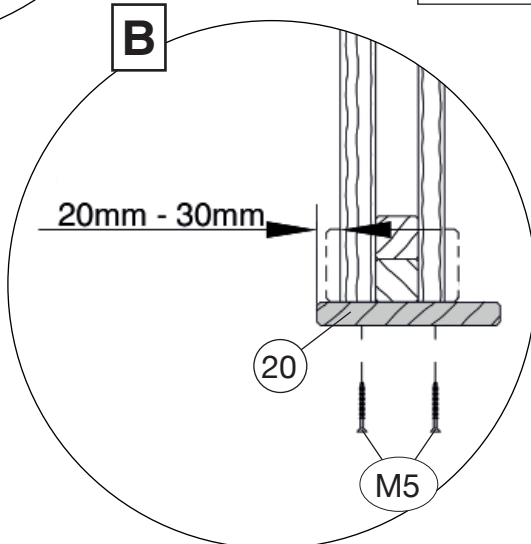
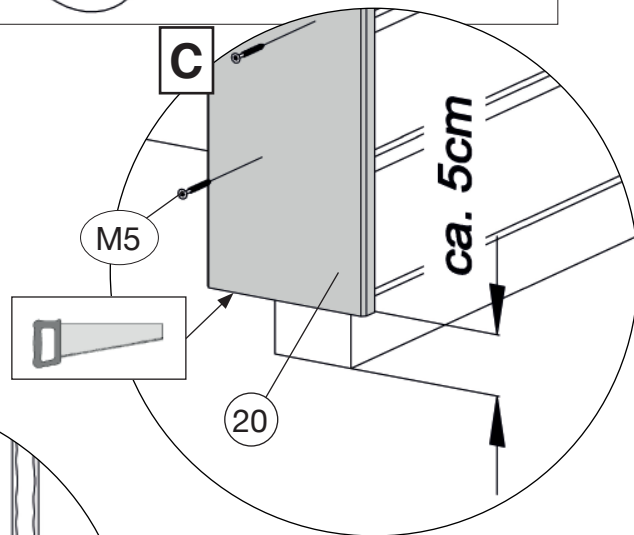
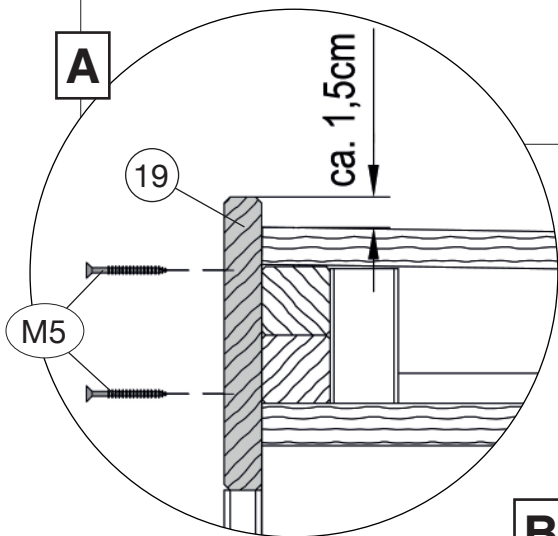


Abb.: 263.3030.

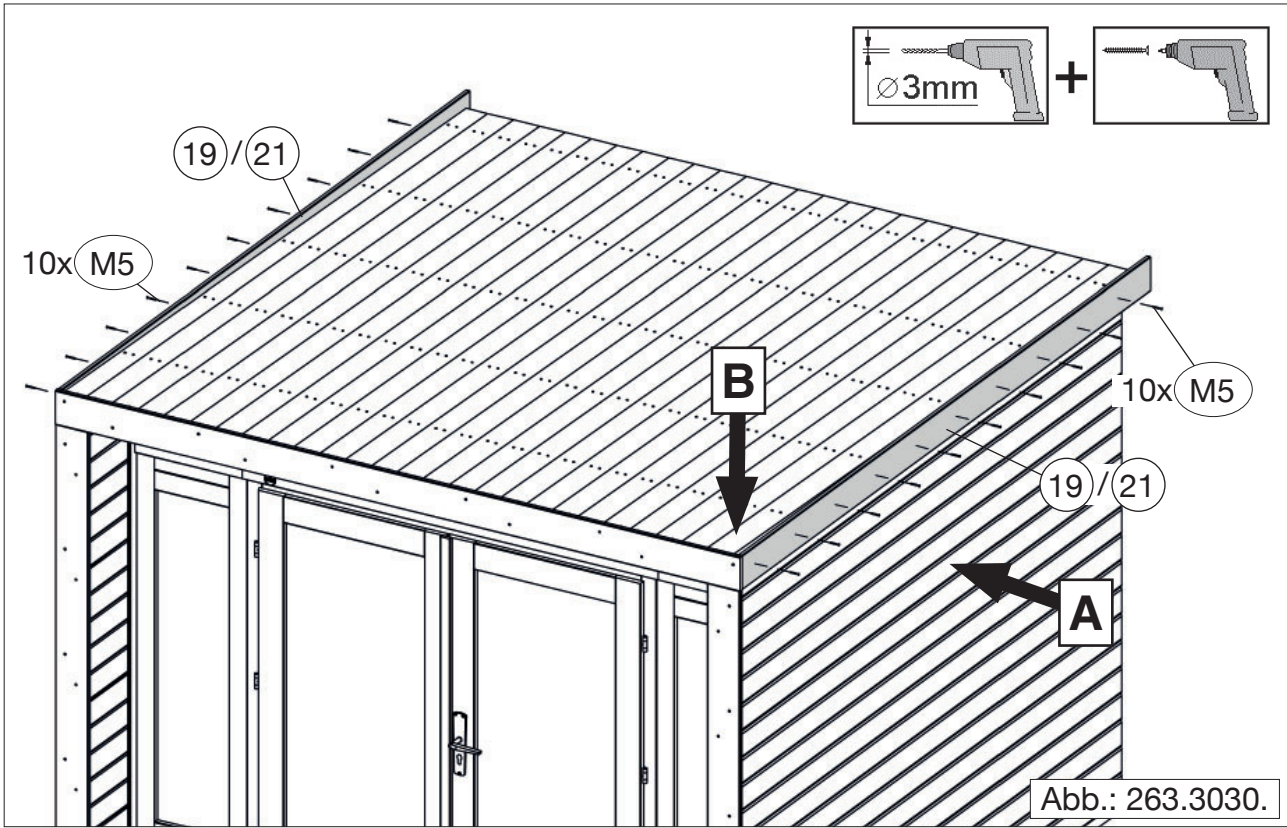
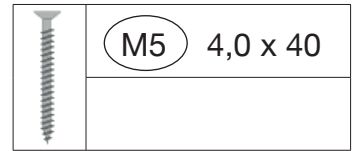


23

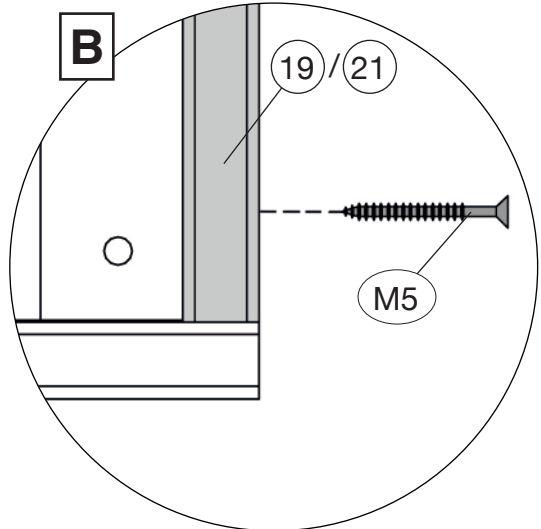
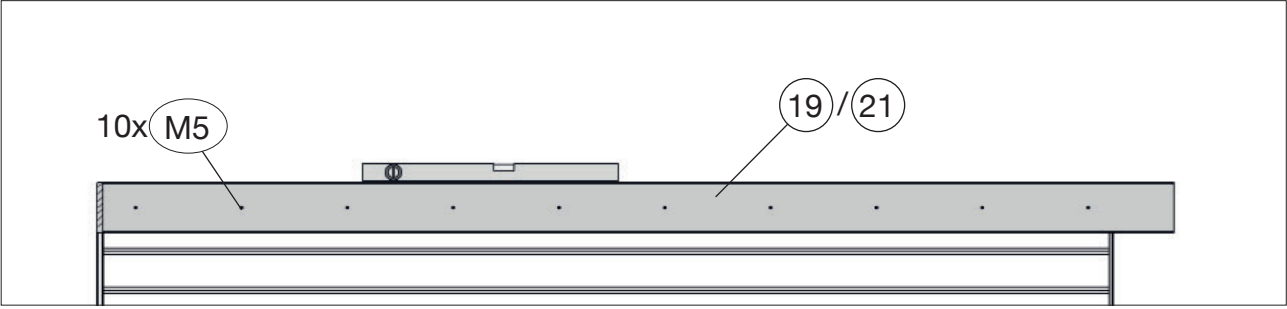


263.3024. = (21)

263.3030. = (19)



A



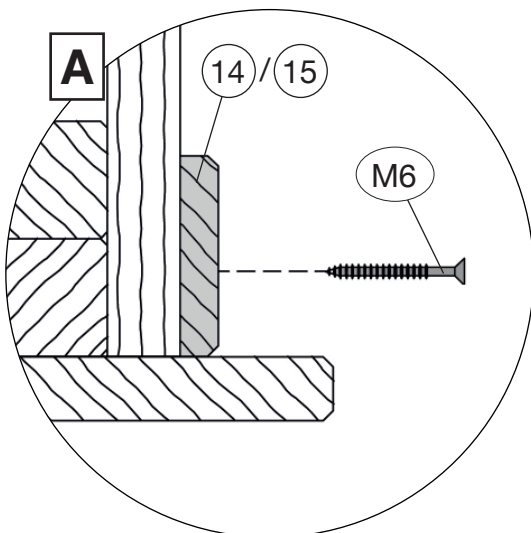
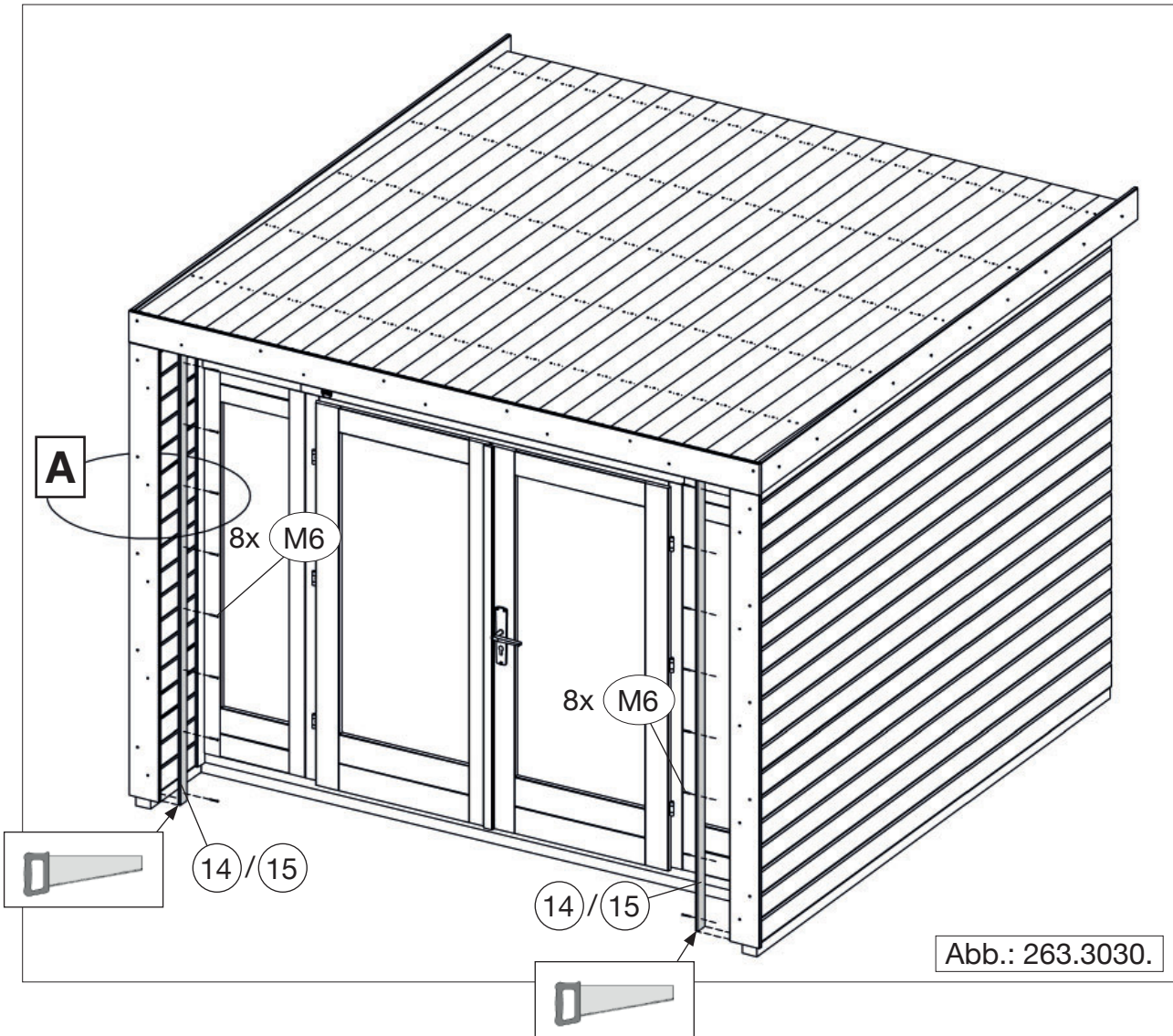
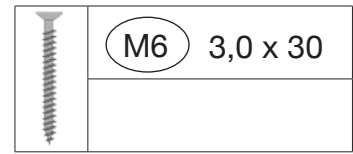
24

263.3024.40000 = (15)

263.3030.40000 = (15)

263.3024.4X000 = (14)

263.3030.4X000 = (14)



25

263.3024.40000 = (15)

263.3030.40000 = (15)

263.3024.4X000 = (14)

263.3030.4X000 = (14)

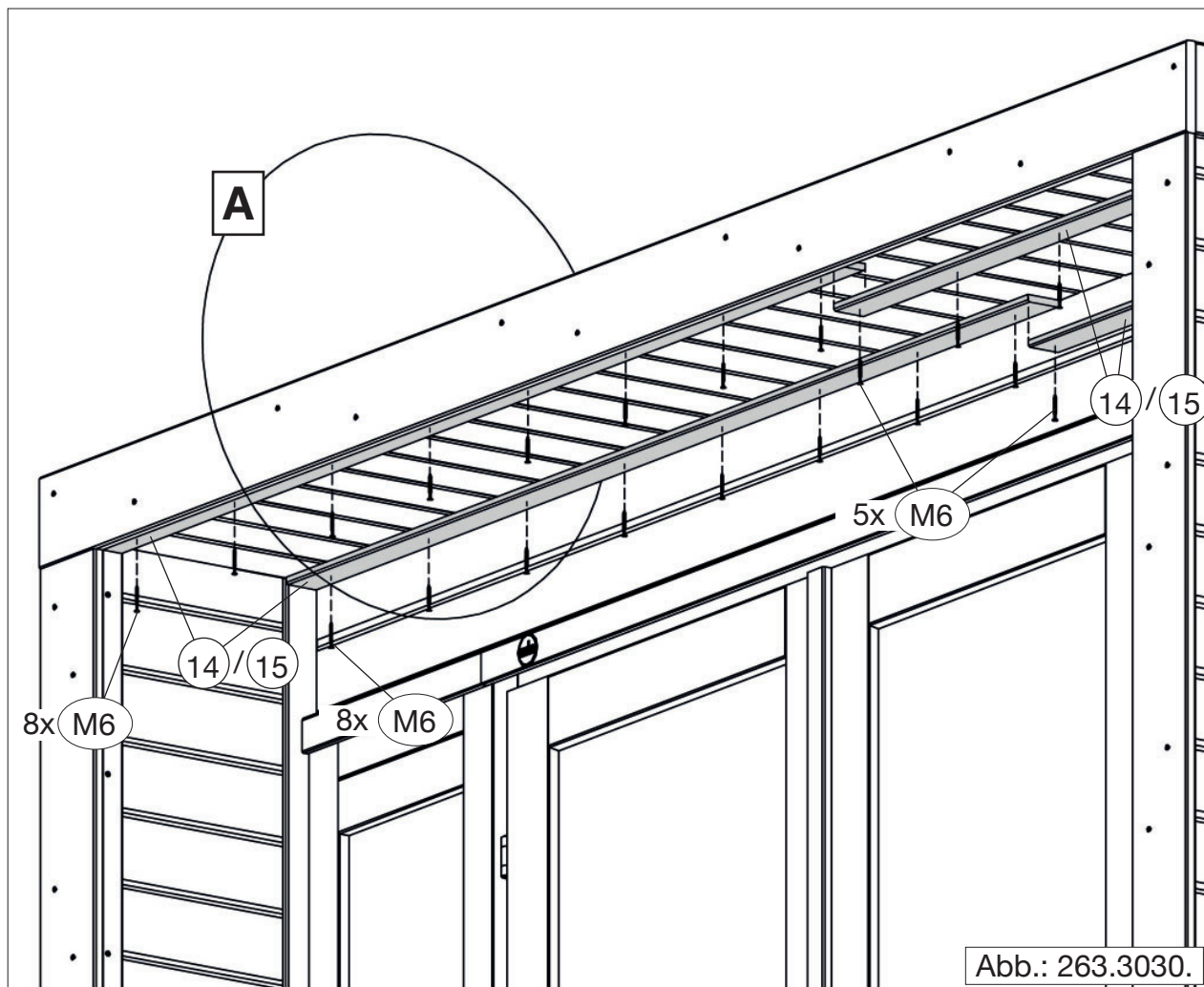
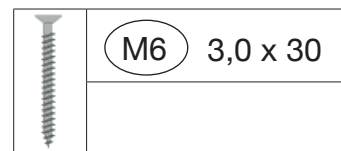
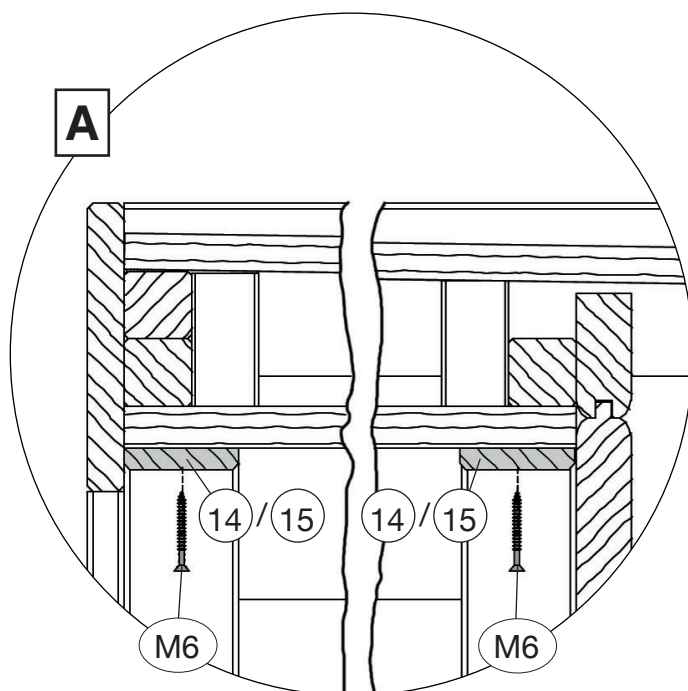


Abb.: 263.3030.



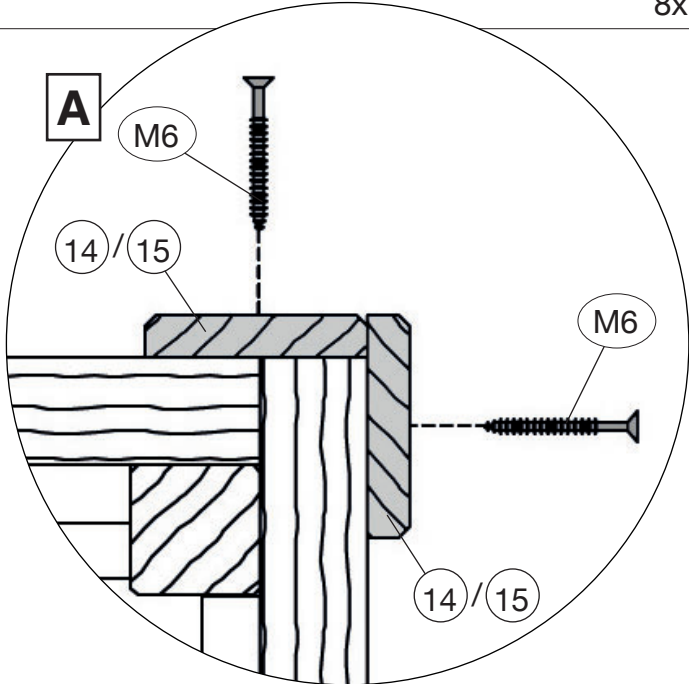
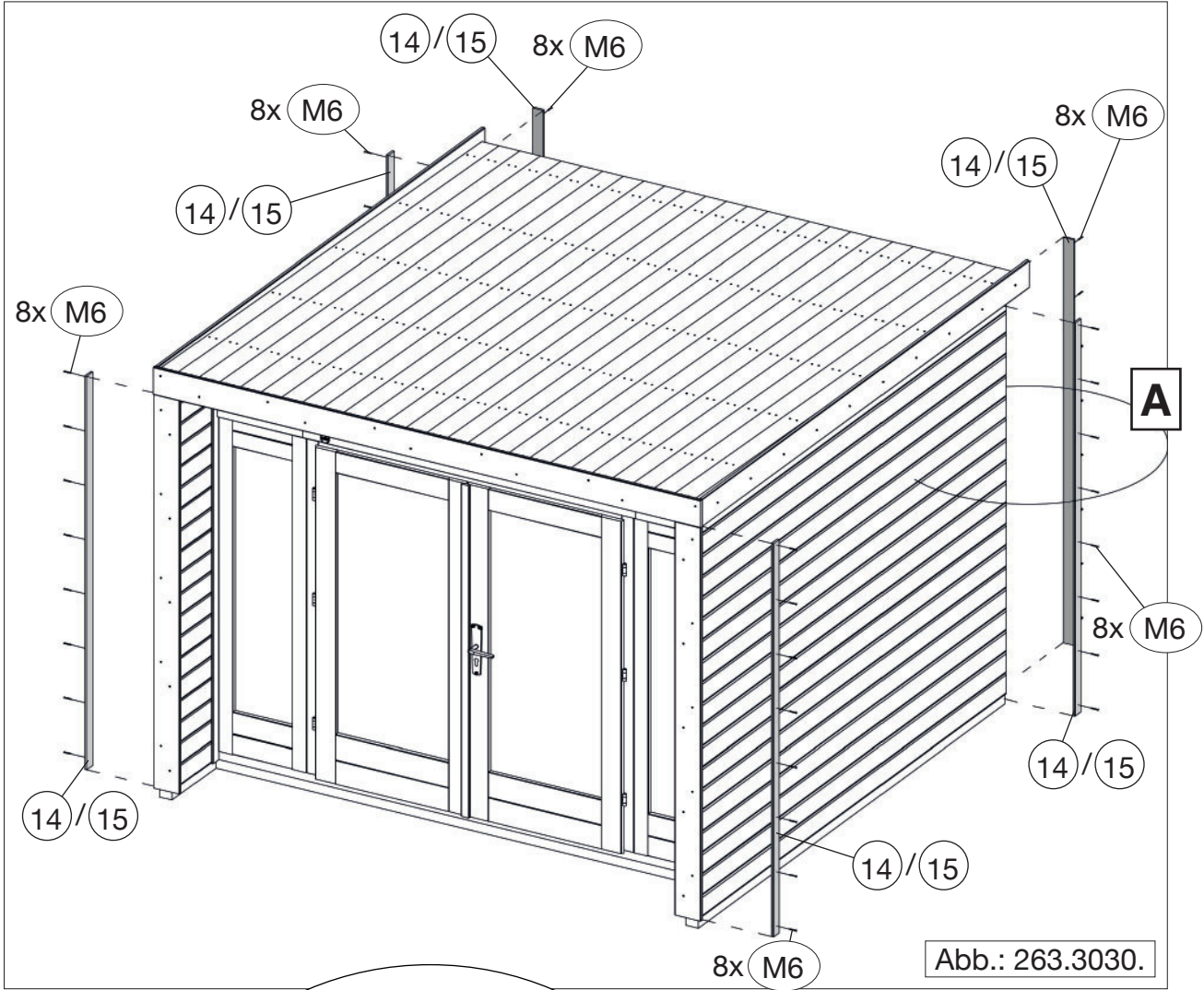
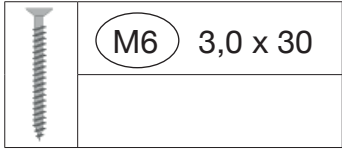
26

263.3024.40000 = (15)

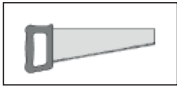
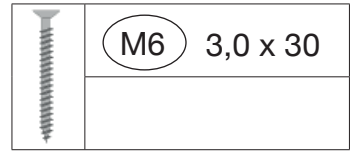
263.3030.40000 = (15)

263.3024.4X000 = (14)

263.3030.4X000 = (14)



27



263.3030.

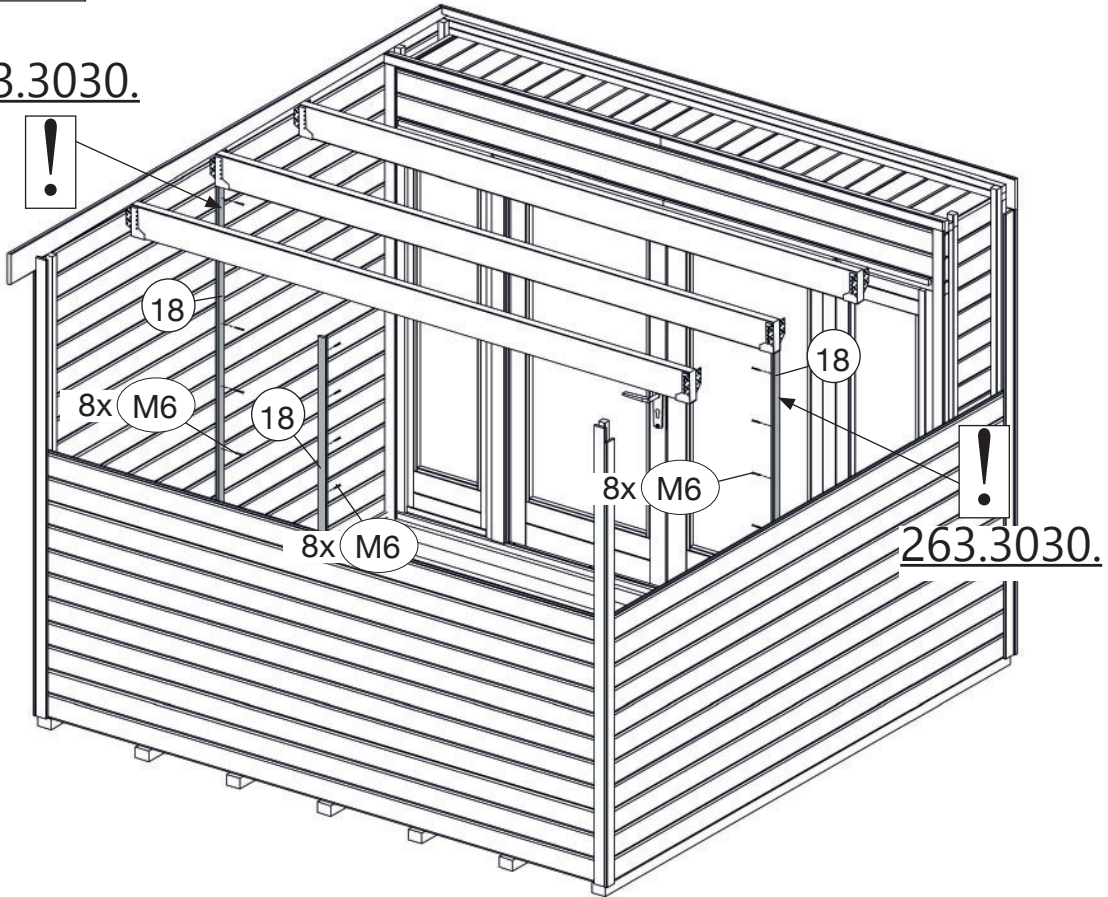
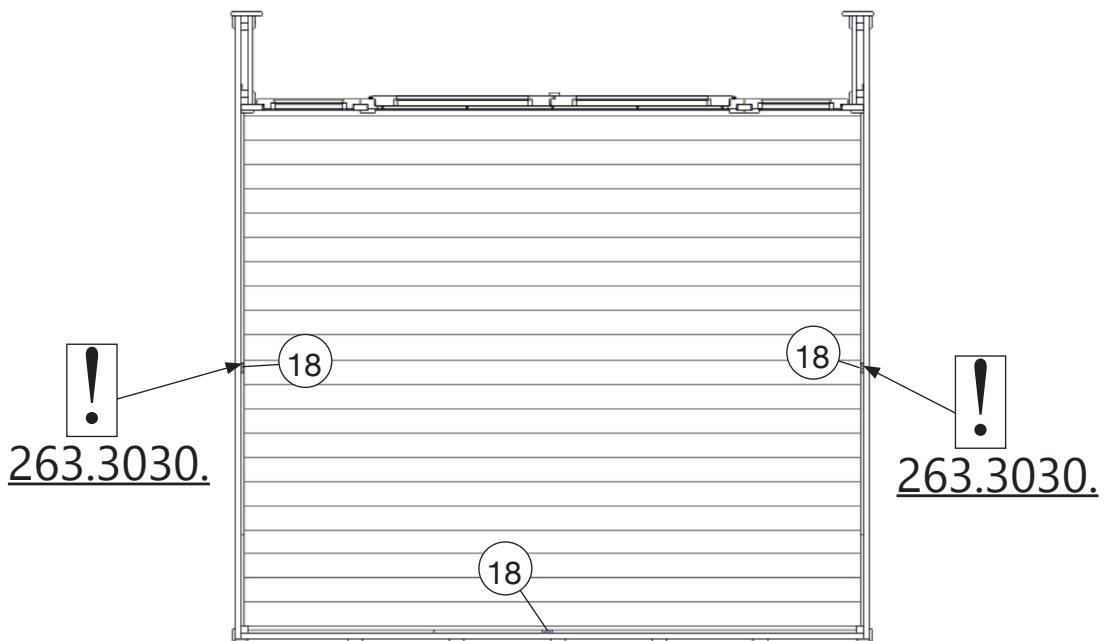

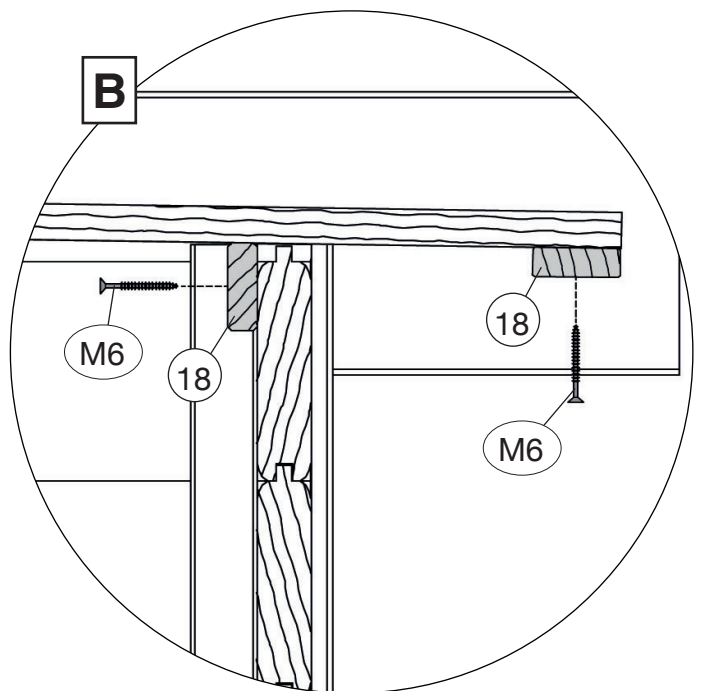
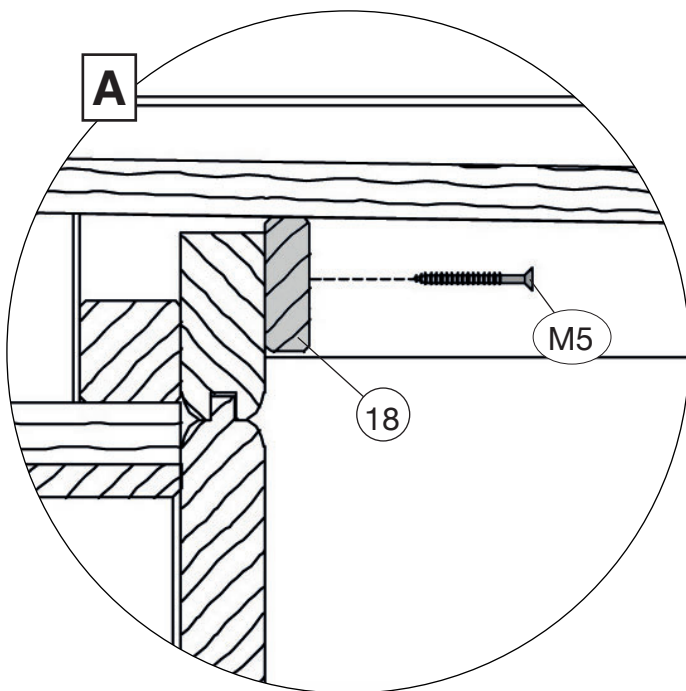
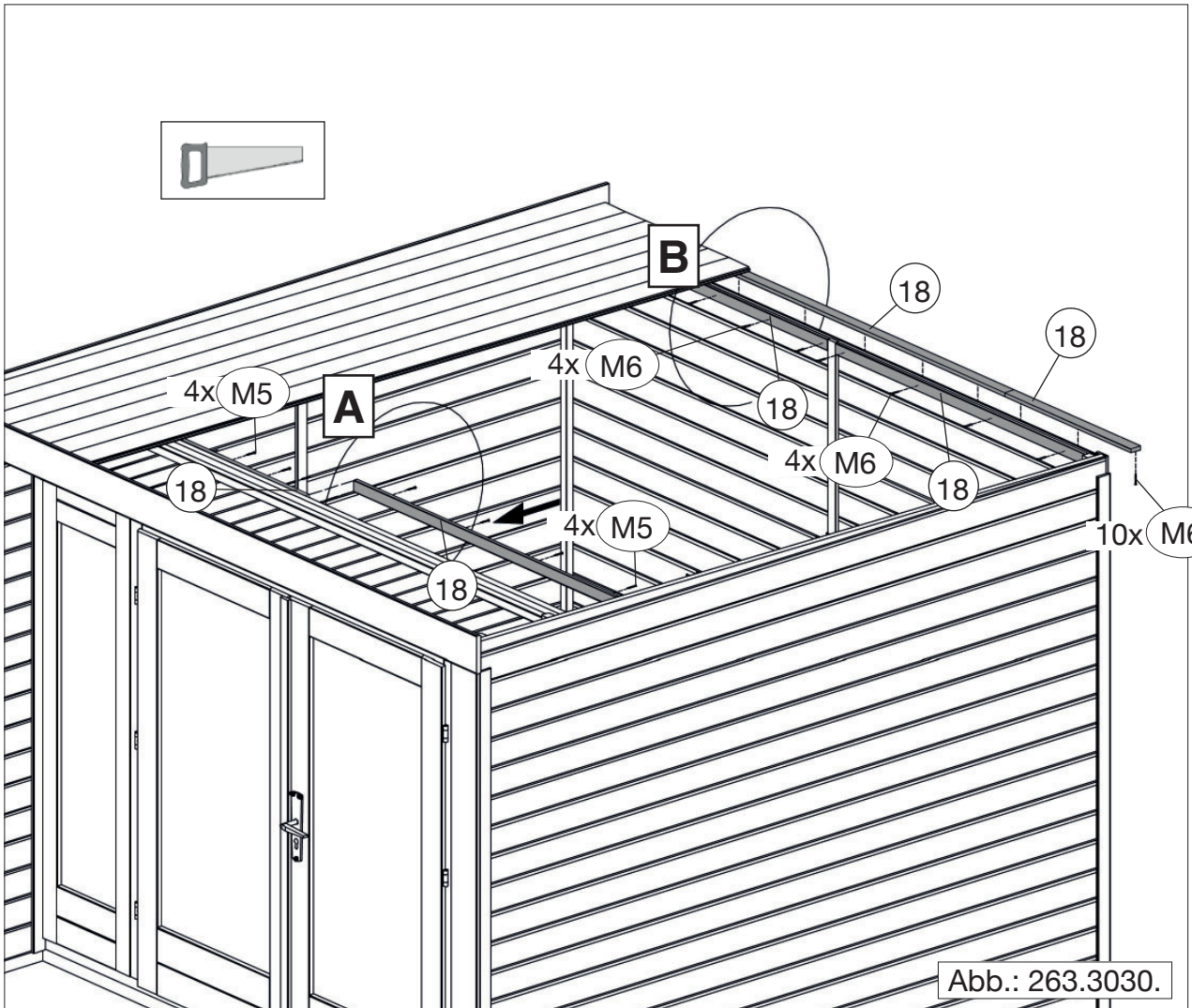
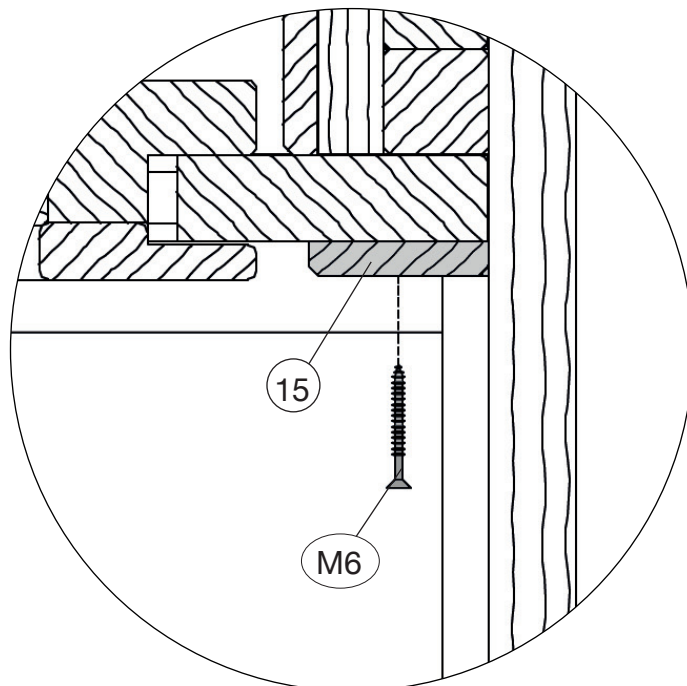
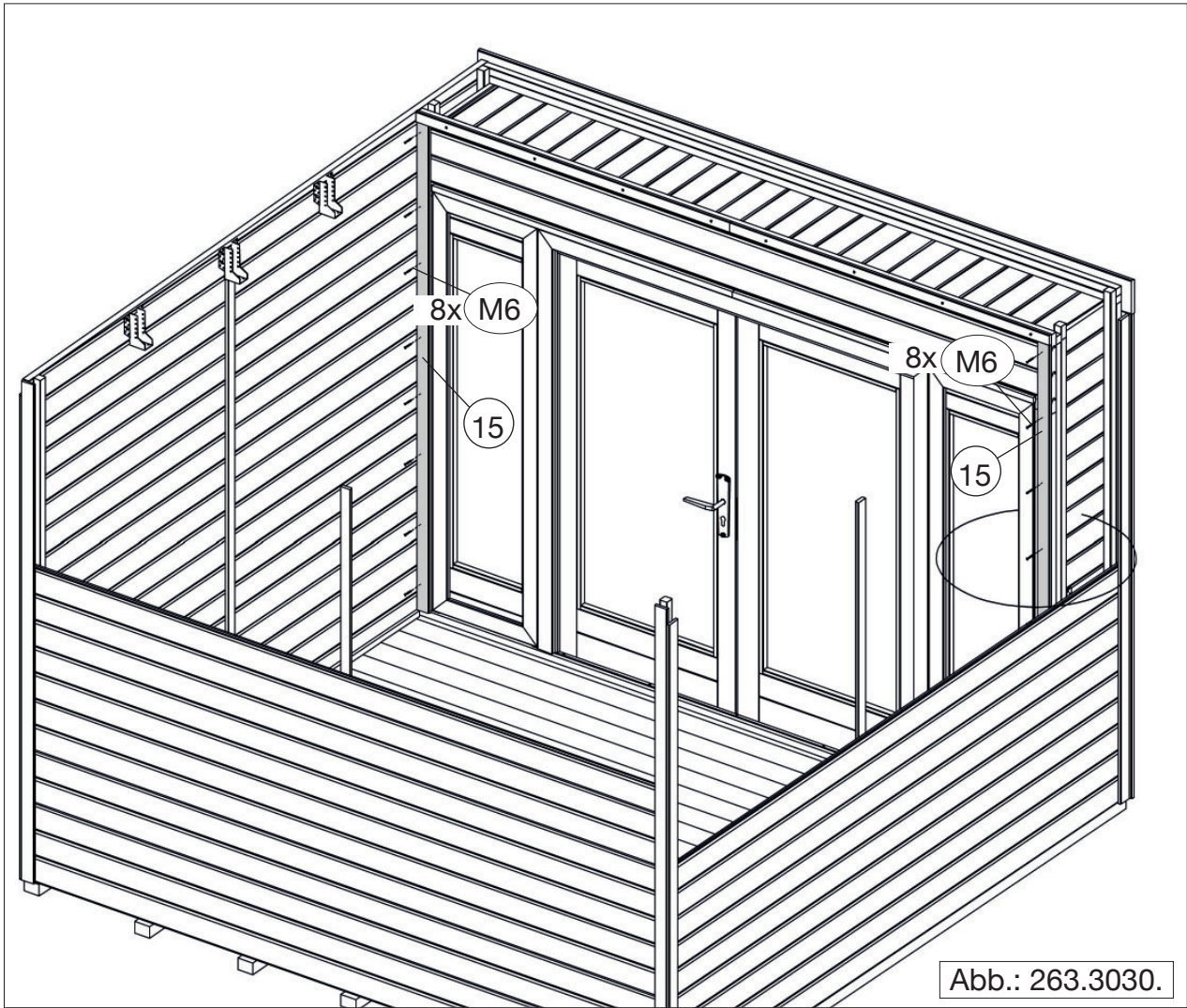
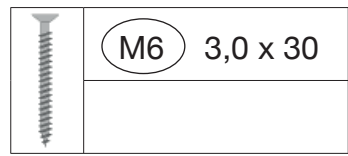


Abb.: 263.3030.



	M6	3,0 x 30
	M5	4,0 x 40





Notizen

Kennen Sie schon die WEKA- Wellnesswelt?



Jetzt
scannen
und unsere
**Saunen &
Infrarotkabinen**
entdecken!



www.weka-holzbau.com



WEKA Holzbau GmbH
Johannesstr. 16, 17034 Neubrandenburg
Tel.: +49 (0)395 42908-0
Fax: +49 (0)395 42908-83
Mail: info@weka-holzbau.com
Web: www.weka-holzbau.com
MA Art.-Nr.: 800.0286.17.90

Technische Änderungen vorbehalten!